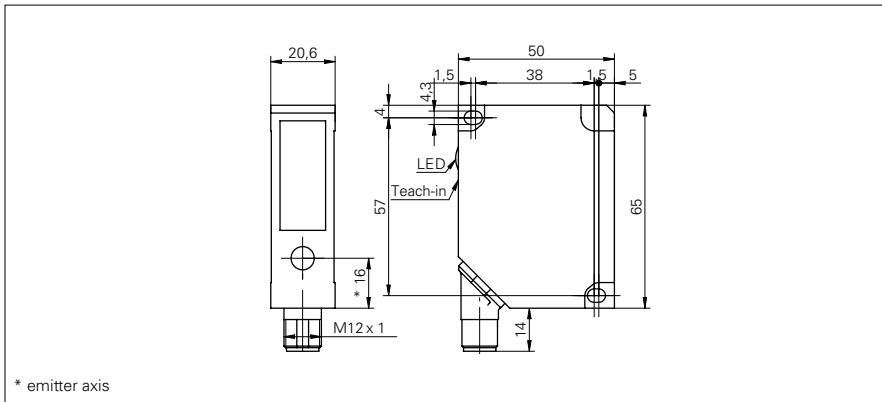


**Distance sensors**

**OADM 20I6581/S14F**

**dimension drawing**



**general data**

|                       |                             |
|-----------------------|-----------------------------|
| measuring distance Sd | 200 ... 1000 mm             |
| adjustment            | Teach-in: button / external |
| Teach-in range min.   | > 20 mm                     |
| power on indication   | LED green                   |
| soiled lens indicator | LED red                     |
| resolution            | 0,12 ... 2,5 mm             |
| linearity error       | ± 0,48 ... ± 10 mm          |
| light source          | pulsed red laser diode      |
| wave length           | 650 nm                      |
| laser class           | 2                           |
| beam type             | line                        |
| beam width            | 2,5 mm                      |
| beam height           | 8,5 ... 35 mm               |
| temperature drift     | < 0,06 % Sde/K              |

**electrical data**

|                                    |                            |
|------------------------------------|----------------------------|
| response time / release time       | < 0,9 ms                   |
| voltage supply range +Vs           | 12 ... 28 VDC              |
| current consumption max. (no load) | 100 mA                     |
| output circuit                     | analog                     |
| output signal                      | 4 ... 20 mA / 0 ... 10 VDC |
| load resistance (analog I)         | < (+Vs - 6 V) / 0,02 A     |
| load resistance (analog U)         | > 100 kOhm                 |
| output current                     | < 100 mA                   |
| alarm output                       | PNP                        |
| short circuit protection           | yes                        |
| reverse polarity protection        | yes, Vs to GND             |

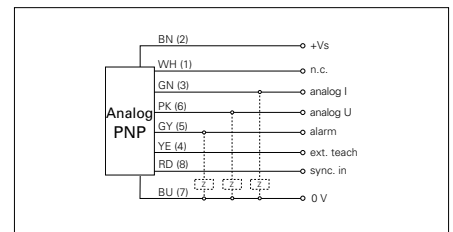
**mechanical data**

|                  |                                |
|------------------|--------------------------------|
| width / diameter | 20,6 mm                        |
| height / length  | 65 mm                          |
| depth            | 50 mm                          |
| type             | rectangular                    |
| housing material | die-cast zinc                  |
| front (optics)   | glass                          |
| connection types | connector M12 8 pin, rotatable |

**photo**



**connection diagram**



**alignment of the laser line**




**Distance sensors**

**OADM 20I6581/S14F**

**ambient conditions**

|                        |              |
|------------------------|--------------|
| ambient light immunity | < 5 kLux     |
| operating temperature  | 0 ... +50 °C |
| protection class       | IP 67        |

**laser warning**



**LASER RADIATION**  
**DO NOT STARE INTO BEAM**  
Wavelength: 620...690nm  
Max. av. Output: < 1mW  
IEC 60825-1, Ed. 2, 2007  
**CLASS 2 LASER PRODUCT**

Complies with 21 CFR 1040.10 and 1040.11 except for deviations pursuant to laser notice No. 50, dated June 24, 2007

