

Control Stations Ø 22

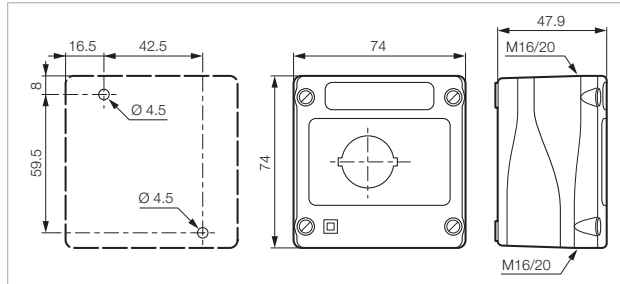
▶ EMPTY ENCLOSURES

 Technical Info (p. 103)

1 HOLE Part Number



LBX0100J



Black base

- Grey cover
- Yellow cover
- Yellow cover*
- Black cover

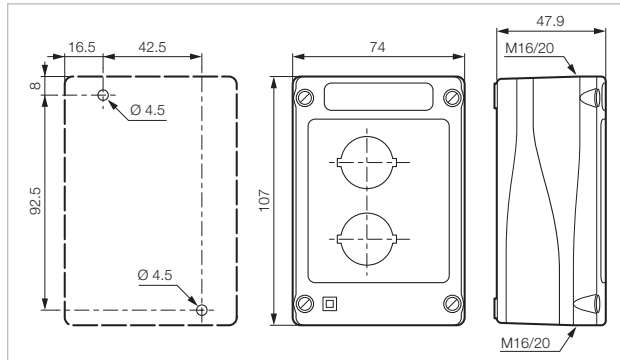
LBX0100
LBX0100J
LBX0100JB
LBX0100NR

* WITH 'EMERGENCY STOP' TEXT

2 HOLES



LBX0200



Black base

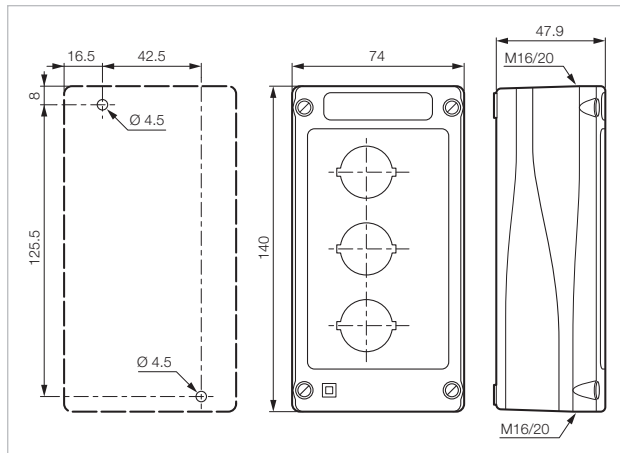
- Grey cover
- Yellow cover

LBX0200
LBX0200J

3 HOLES



LBX0300



Black base

- Grey cover

LBX0300