

2008 NEC® Receptacle Requirements

Code compliant protection from electrical injury

The 2008 National Electric Code® revisions resulted in three new types of required receptacles: Tamper Resistant, Weather Resistant and Tamper & Weather Resistant.

2008 NEC® Requirements for Receptacles

Each year, more than 2,400 children are injured by inserting foreign objects into receptacles.*

Tamper Resistant Receptacles – NEC Article 406.11

All 125 volt, 15 and 20 ampere receptacles shall be listed tamper resistant in dwelling units.

- Tamper resistant receptacles must have an internal mechanism that limits access to electrically live components.
- Dwelling units (as defined in NEC® Article 210.52) are single units, providing complete and independent living facilities for one or more persons, including permanent provisions for living, sleeping, cooking and sanitation.
- UL Listed devices must have a “TR” marking clearly visible when installed.

Weather Resistant Receptacles – NEC Article 406.8

All 125 and 250 volt, 15 and 20 ampere non-locking receptacles shall be listed as weather resistant type in damp and wet locations.

- Weather protective covers alone do not guarantee protection against potential exposure; in damp and wet locations weather resistant receptacles in weather protective covers must be used.
- Outdoor weather resistant receptacles must provide resistance to temperature extremes, excessive ultraviolet light and the effects of aging.
- UL Listed devices must have a “WR” marking clearly visible when installed.

*According to a 10-year study of National Electronic Injury Surveillance System (NEISS) data.



“TR” mold mark provides quick visual confirmation of tamper resistance when installed.



“WR” identifier quickly indicates during inspections that a weather resistant device has been installed.

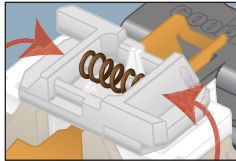


Both the “TR” mold mark and “WR” identifier are clearly visible in the finished installation, indicating double-layer protection for maximum safety.

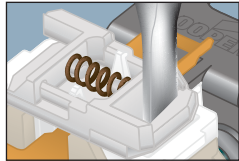


Tamper Resistant Receptacles

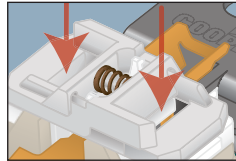
Tamper Resistant Receptacles feature integral protection, far superior to traditional receptacles with removable plastic safety caps. A UL listed safety shutter system prevents the insertion of foreign objects into the receptacles. The safety shutters will only open upon simultaneous insertion of 2 plug blades.



Shutters restrict access in closed position.



Insertion of object in any one side will not open shutters.



Insertion of two-bladed plug or grounding plug will open shutters.



Weather Resistant Receptacles

Weather Resistant Receptacles offer protection from rain, snow, ice, moisture, and humidity when properly installed in an approved weather protective or while-in-use cover. Weather resistant receptacles are for use in any residential or commercial outdoor location. Designed with enhanced nylon and corrosion resistant metal components Weather resistant receptacles are extra durable. Combine WR receptacles with any of our WeatherBox™ While-in-Use Protective Covers for tough protection against the elements.



WeatherBox Recessed Polycarbonate While-In-Use Protective Cover



The Original WeatherBox Polycarbonate While-In-Use Protective Cover, Single Gang



The Original WeatherBox Polycarbonate While-In-Use Protective Cover, 2-Gang



Tamper & Weather Resistant Receptacles

Ensure safety and weather resistance in wet and damp outdoor locations with the ultimate in safety outlet protection: Tamper & Weather Resistant Receptacles. Areas that demand the use of Tamper & Weather Resistant Receptacles can include:



Homes & Apartments



Assisted Living Facilities & Retirement Communities



Public Facilities & Recreational Areas



TR Receptacles

Project Name:	Prepared By:
Project Number:	Date:
Catalog Number:	Type:



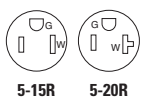
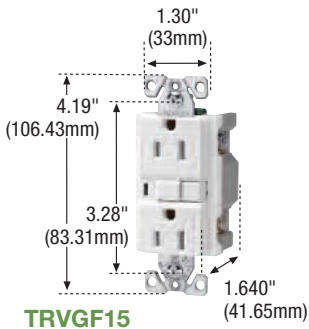
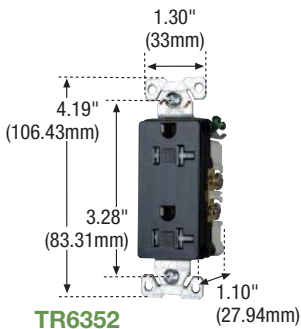
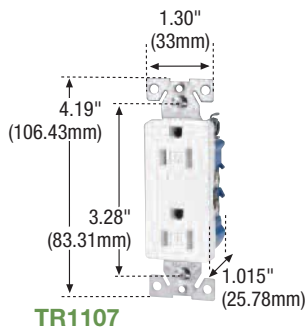
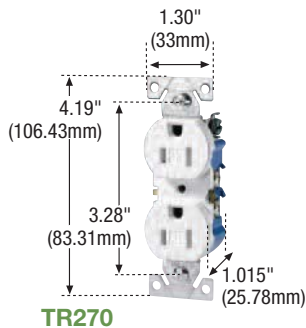
Tamper Resistant Receptacles

2-Pole, 3-Wire
15A 125V/AC
20A, 125V/AC

Single & Duplex Receptacles

FEATURES

- Provides compliance with 2008 NEC® Article 406.11 that states that all receptacles installed in dwelling units must be tamper resistant.
- Durable impact-resistant thermoplastic face and back body is virtually unbreakable.
- “TR” designation provides visual identification.
- Terminal screws are backed out and ready to wire.
- Extra-long and extra-wide mounting straps.
- Patented built-in wire stripper for #14 and #12 wire (#12 and #10 TR817, TR877, 9508TR, 9507TR, TR6350, TR6350) to speed installation.
- Side-wire terminals accept up to #10 solid or stranded wire.
- Push-in terminals accept #14 solid wire (TR270, TR1107 & 9500TR duplex devices only).



Residential Grade, Single & Duplex



Rating: A/V	NEMA	Description	Catalog No.	Available Colors
15 125	5-15R	Duplex Receptacle	<input type="checkbox"/> TR270__	A, B, BK, LA, V, W
		Duplex Receptacle, Auto Grounding	<input type="checkbox"/> TR270-9__	A, B, LA, V, W
		Decorator Duplex Receptacle	<input type="checkbox"/> TR1107__	A, B, GY, LA, V, W
		Decorator Duplex Receptacle, Auto Grounding	<input type="checkbox"/> TR1107-9__	A, BK, LA, V, W
		ASPIRE™ Duplex Receptacle	<input type="checkbox"/> 9505TR__	DS, SG, WS
		ASPIRE™ Single Receptacle	<input type="checkbox"/> 9507TR__	DS, SG, WS
20 125	5-20R	ASPIRE™ Single Receptacle	<input type="checkbox"/> 9508TR__	DS, SG, WS
		ASPIRE™ Duplex Receptacle	<input type="checkbox"/> 9510TR__	DS, SG, WS

Commercial Grade, Single & Duplex



Rating: A/V	NEMA	Description	Catalog No.	Available Colors
15 125	5-15R	Single Receptacle	<input type="checkbox"/> TR817__	A, B, BK, GY, LA, V, W
		Duplex Receptacle*	<input type="checkbox"/> TRBR15__	A, B, BK, GY, LA, V, W
		Decorator Single Receptacle	<input type="checkbox"/> TR6250__	A, B, BK, GY, LA, V, W
		Decorator Duplex Receptacle	<input type="checkbox"/> TR6252__	A, B, BK, GY, LA, V, W
20 125	5-20R	Single Receptacle	<input type="checkbox"/> TR1877__	A, B, BK, LA, V, W
		Duplex Receptacle*	<input type="checkbox"/> TRBR20__	A, B, BK, GY, LA, RD, V, W
		Decorator Single Receptacle	<input type="checkbox"/> TR6350__	A, B, BK, GY, LA, V, W
		Decorator Duplex Receptacle	<input type="checkbox"/> TR6352__	A, B, BK, GY, LA, V, W

Specification Grade Duplex



Rating: A/V	NEMA	Description	Catalog No.	Available Colors
15 125	5-15R	Duplex GFCI	<input type="checkbox"/> TRVGF15__	A, B, BK, GY, LA, V, W
		ASPIRE Duplex GFCI	<input type="checkbox"/> 9566TR__	DS, SG, WS
		Hospital Grade Duplex Receptacle*	<input type="checkbox"/> TR8200__	B, GY, RD, V, W
		Tamper Resistant Hospital Grade GFCI	<input type="checkbox"/> TRVGFH15__	B, GY, V, LA, RD, W
20 125	5-20R	Duplex GFCI	<input type="checkbox"/> TRVGF20__	A, B, BK, GY, LA, V, W
		ASPIRE Duplex GFCI	<input type="checkbox"/> 9569TR__	DS, SG, WS
		Hospital Grade Duplex Receptacle*	<input type="checkbox"/> TR8300__	B, GY, RD, V, W
		Tamper Resistant Hospital Grade GFCI	<input type="checkbox"/> TRVGFH20__	B, GY, V, LA, RD, W

For ordering, include Cat. No. followed by the color code: A (Almond), B (Brown), BK (Black), GY (Gray), LA (Light Almond), RD (Red), V (Ivory), W (White), DS (Desert Sand), SG (Silver Granite), WS (White Satin)

TESTING & CODE COMPLIANCE

- cULus Listed to UL498, file nos. E60120 (TRVGF, 9566, 9569), E15058 (all others), except TR8200 & TR8300: Listed to UL498, file no. E140596.
- UL Certified to CSA C22.2, no. 42.
- TRVGF meets all UL943 and UL498 requirements.
- TRBR, TR8200/TR8300 UL verified to Fed. Spec. WC-596G.
- NOM/ANSI Certified.

MATERIAL CHARACTERISTICS

- Environmental: Flammability meets UL94 requirements; TR817, TR1877, TR6250, TR6252, TR6350, TR6352, 9566TR, 9569TR, TRBR, TRVGF, 9507TR, 9508TR, 9510TR V2 rated; TR270, TR1107, 9505TR V0 rated.
- Temperature Rating: TR270, TR1107, 9510TR: -20°C to 60°C (-4°F to 140°F); TR817, TR1877, TR6250, TR6252, TR6350, TR6352, TRBR, 9505TR, 9507TR, 9508TR, 9509TR: -20°C to 70°C (-4°F to 158°F); TRVGF, 9566TR, 9569TR: -35°C to 66°C (-31°F to 150.8°F); TR8200, TR8300 -40°C to 60°C (-40°F to 140°F).

TR Receptacles Specification & Performance Data

Project Name:	Prepared By:
Project Number:	Date:
Catalog Number:	Type:



Tamper Resistant Receptacles

2-Pole, 3-Wire
15A 125V/AC
20A, 125V/AC

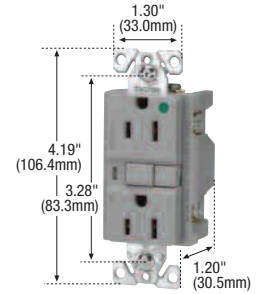
Application

Tamper Resistant Receptacles contain a UL listed safety shutter system that prevents the insertion of foreign objects into receptacles. The safety shutters will open only upon insertion of a 2-prong or 3-prong plug. Installing these receptacles ensures compliance with 2008 NEC® Article 406.11. Areas of application include: new residential construction; remodel/retrofit residential construction; apartment buildings; condominiums and townhouses; hotels, motels, inns and suites with kitchenettes; retirement communities, nursing homes and assisted living facilities. (Note: 2008 NEC Article 406.11 applies to new construction only).

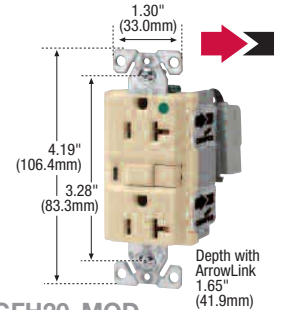
Receptacle Type	Residential Grade Duplex & Single TR270, TR1107, 9500TR Series	Commercial Grade Duplex & Single TR817, TR1877, TRBR TR6200, TR6300 Series	Specification Grade Duplex GFCI TRVGF, 9560TR Series	Hospital Grade Duplex TR8200, TR8300 Series
Wiring Type	Back & Side Wire 9509TR, 9510TR (except 9507 push & side wire)	Back & Side Wire (except TR817/TR1877 side wire only)	Back & Side Wire	Back & Side Wire
Testing & Code Compliance	<ul style="list-style-type: none"> cULus Listed to UL498, file no. E15058. UL Certified to CSA C22.2, no. 42. NOM/ANSI Certified. 	<ul style="list-style-type: none"> cULus Listed to UL498, file no. E15058. UL Certified to CSA C22.2, no. 42. NOM/ANSI Certified. TRBR UL verified to Fed. Spec. WC-596G. 	<ul style="list-style-type: none"> cULus Listed to UL498, file no. E60120. UL Certified to CSA C22.2, no. 42. Meets all UL943 (GFCI) and UL498 (Receptacles) requirements. NOM/ANSI Certified. 	<ul style="list-style-type: none"> Listed to UL498, file no. E140596. UL verified to Fed. Spec. WC-596. UL Certified to CSA C22.2, no. 42, file no. LR16063.
Specifications: Environmental	Flammability meets UL 94 requirements; TR1107, TR270, 9505TR V0 rated; 9507TR, 9508TR, 9510TR V2 rated. Temperature Rating: TR1107, TR270, 9505TR -20°C to 60°C (-4°F to 140°F); 9507TR, 9508TR, 9510TR -20°C to 70°C (-4°F to 158°F)	Flammability meets UL 94 requirements; V2 rated. Temperature Rating: -20°C to 70°C (-4°F to 158°F)	Flammability meets UL 94 requirements; V2 rated. Temperature Rating: -35°C to 66°C (-31°F to 150.8°F)	Flammability meets UL 94 requirements; V2 rated. Temperature Rating: -40°C to 60°C (-40°F to 140°F)
Electrical	Dielectric Voltage: withstands 2000V per UL498 Current interrupting: yes, at full-rated current Temperature Rise: max. 30°C (86°F) after 100 cycles of overload @ 150% of rated current (DC).	Dielectric Voltage: withstands 2000V per UL498 Current interrupting: yes, at full-rated current Temperature Rise: Standard - max. 30°C (86°F) after 100 cycles of overload @ 150% of rated current (DC). Fed. Spec. - max. 30°C (86°F) after 250 cycles of overload @ 200% of rated current (DC).	Dielectric Voltage: withstands 2000V per UL498 Current interrupting: yes, at full-rated current Temperature Rise: max. 30°C (86°F) after 100 cycles of overload @ 150% of rated current (DC).	Dielectric Voltage: withstands 2000V per UL498 Current interrupting: yes, at full-rated current Temperature Rise: max. 30°C (86°F) after 50 cycles of overload at 250% of rated current (DC).
Mechanical	Terminal Accommodation: #14 - #10 AWG Voltage ratings permanently marked on device.	Terminal Accommodation: #14 - #10 AWG Voltage ratings permanently marked on device.	Terminal Accommodation: #14 - #10 AWG Voltage ratings permanently marked on device.	Terminal Accommodation: #14 - #10 AWG Voltage ratings permanently marked on device.
Materials: Body Top & Bottom	TR1107, TR270, 9505TR - PVC 9507TR, 9508TR - Nylon 9510TR - PVC Top, Nylon Bottom	Thermoplastic, Nylon	Thermoplastic, Nylon	Thermoplastic, Nylon
Strap	Galvanized Steel TR1107, TR270, 9505TR Nickel Plated Steel 9507TR, 9508TR, 9510TR	Galvanized Steel	Galvanized Steel	Brass
Contacts	Brass Alloy	Brass Alloy	Brass Alloy	Nickel-Plated Brass
Terminal Screws	Brass/Nickel-Plated Steel	Brass/Nickel-Plated Steel	Brass/Nickel-Plated Steel	Brass/Nickel-Plated Steel
Terminal Clamps	Brass Plated 9507TR, 9508TR; Steel 9510TR	Steel (TR817/TR1877 N/A)	Steel Brass Plated	Nickel-Plated Brass

Specification Grade Ground Fault Circuit Interrupter Receptacles

2-Pole, 3-Wire Grounding
 15A, 125V/AC
 20A, 125V/AC
 NEMA 5-15, 5-20



VGFH15



VGFH20_MOD

Hospital Grade GFCIs

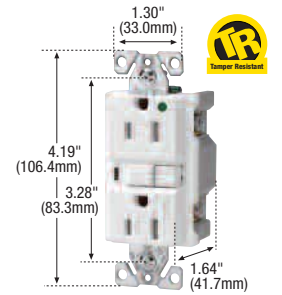
Back Wire & Side Wire	15A, 125V NEMA 5-15R		20A, 125V NEMA 5-20R	
Description	Catalog No. Color Suffix		Catalog No. Color Suffix	
Hospital GFCI	<input type="checkbox"/> VGFH15____ B, GY, LA, RD, V, W		<input type="checkbox"/> VGFH20____ B, GY, LA, RD, V, W	
Hospital GFCI NAFTA Compliant	<input type="checkbox"/> VGFH15F____ B, GY, LA, RD, V, W		<input type="checkbox"/> VGFH20F____ B, GY, LA, RD, V, W	
Tamper Resistant Hospital GFCI	<input type="checkbox"/> TRVGFH15____ B, GY, LA, RD, V, W		<input type="checkbox"/> TRVGFH20____ B, GY, LA, RD, V, W	
Tamper Resistant Hospital GFCI NAFTA Compliant	<input type="checkbox"/> TRVGFH15F____ B, GY, LA, RD, V, W		<input type="checkbox"/> TRVGFH20F____ B, GY, LA, RD, V, W	

Includes standard size unbreakable wallplate

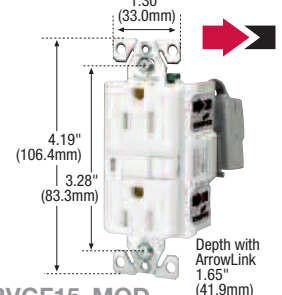
Specification Grade GFCIs

Back Wire & Side Wire	15A, 125V NEMA 5-15R		20A, 125V NEMA 5-20R	
Description	Catalog No. Color Suffix		Catalog No. Color Suffix	
Duplex GFCI	<input type="checkbox"/> VGF15____ A, B, BK, GY, LA, RD, V, W		<input type="checkbox"/> VGF20____ A, B, BK, GY, LA, RD, V, W	
Duplex GFCI with Mid-Size Wallplate	<input type="checkbox"/> VGF15____-M A, LA, V, W			
Duplex GFCI NAFTA Compliant	<input type="checkbox"/> VGF15F____ B, BK, GY, LA, RD, V, W		<input type="checkbox"/> VGF20F____ B, BK, GY, LA, RD, V, W	
Tamper Resistant Duplex GFCI	<input type="checkbox"/> TRVGF15____ A, B, BK, GY, LA, RD, V, W		<input type="checkbox"/> TRVGF20____ A, B, BK, GY, LA, RD, V, W	
Tamper Resistant Duplex GFCI with Mid-Size Wallplate	<input type="checkbox"/> TRVGF15____-M A, LA, V, W			
Tamper Resistant Duplex GFCI NAFTA Compliant	<input type="checkbox"/> TRVGF15F____ B, BK, GY, LA, RD, V, W		<input type="checkbox"/> TRVGF20F____ B, BK, GY, LA, RD, V, W	
Weather Resistant Duplex GFCI	<input type="checkbox"/> WRVGF15____ B, GY, V, W		<input type="checkbox"/> WRVGF20____ B, GY, V, W	
Tamper & Weather Resistant Duplex GFCI	<input type="checkbox"/> TWRVGF15____ B, GY, LA, V, W		<input type="checkbox"/> TWRVGF20____ B, GY, LA, V, W	

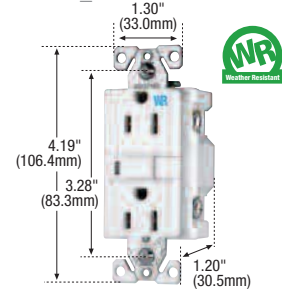
Includes standard size unbreakable wallplate unless otherwise noted
 Consult factory customer service representative for additional packaging options



TRVGFH15



TRVGF15_MOD



WRVGF15

Color Ordering Information

For ordering devices, include Cat. No. followed by the color code: A (Almond), B (Brown), BK (Black), GY (Gray), LA (Light Almond), RD (Red), RN (Orange), V (Ivory), W (White)

Icon Key

ArrowLink™ option available. Add "MOD" suffix to Standard catalog number (example VGF15W, VGF15WMOD). For ordering information on ArrowLink & ArrowLink SPD connectors, see page G-2.

Hospital Grade

Build-To-Spec Customizable Devices - see page G-1

NAFTA Compliant - see page O-30

Tamper Resistant

Weather Resistant

Tamper & Weather Resistant

Specification Information:

Hospital Grade GFCI: G-12

Spec Grade GFCI: G-13