

Amphenol®



Amphe-PD™

RADSOK® Enabled Power Connector Brochure

www.amphenol-industrial.com

Company Introduction

Company Overview

Manufacturing connectors since 1932, we take pride that the Amphenol is the undisputed leader in interconnect systems for harsh environment applications. Such applications require a high degree of engineering sophistication and precision manufacturing capability. Innovations like our RADSOK® contact technology can provide roughly 50% more current through the same size pin. Connectors utilizing this RADSOK® technology will outperform similar products in the market hands down.

Amphenol Industrial Operations, headquartered in a 50,000 square foot facility in Endicott, N.Y., provides a full range of high reliability power/signal connectors and interconnection systems specifically for the industrial markets including rail/mass transit, process control, automotive manufacturing, heavy equipment, wireless base stations and petrochemical/power generation.

Products include ruggedized-for-industry cylindrical, rectangular, fiber optic, signal and power, RADSOK power and power-to-board solutions, cable and harness assemblies, as well as industrialized versions of Amphenol's MIL-DTL-5015 cylindrical, MIL-DTL-26482 miniature cylindrical and GT reverse bayonet cylindrical connectors. Amphenol Industrial Operations employs more than 1,400 people globally and is ISO9001, TS96949 and MIL-STD-790 certified.

Amphe-PD™ Series

- RADSOK® sizes 5.7mm and 3.6mm
- 120A and 70A rated 2 position connector
- Low profile right angle exit less than ½ inch mated height
- 12 AWG to 2 AWG crimp contact with insulated latching housings
- RADSOK® Socket and pin / silver over nickel plating
- High Temp LCP housing for SMT processing of PCB mount receptacles



**Amphenol Industrial Operations
Endicott, NY USA**

Amphe-PD™

Amphenol's Amphe-PD™ series of "RADSOK® enabled" power connectors is a versatile and cost effective solution for your high current interconnect requirements. Available in the compact 3.6mm, 70A rated option and a larger 5.7mm, 120A big brother. The Amphe-PD™ is reintroduced with a new black PBT housing that is more robust and aesthetically pleasing. The Amphe-PD™ series meets RoHS requirements and is UL and IEC finger touch safe. Available in a myriad of configurations for high flex cable, PCB, and busbar mounting. Custom cable assemblies are available.

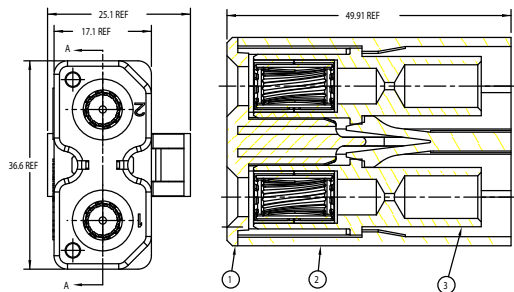
Amphe-PD Gen1 5.7mm

| Plug Connector with Crimp Terminals | |
|-------------------------------------|----------------------|
| Part Number | Description |
| C10-752162-000 | BLACK, 5.7MM - AWG 4 |
| C10-685188-000 | BLACK, 5.7MM - AWG 4 |

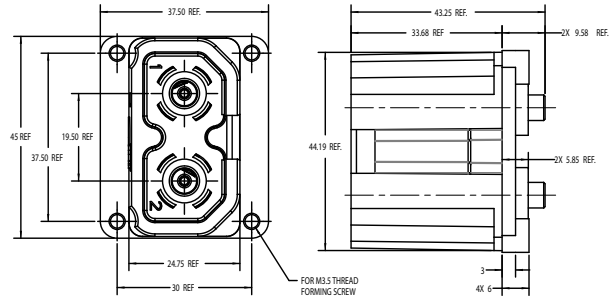
| Receptacle Connectors: PCB | |
|----------------------------|--------------------------------------|
| Part Number | Description |
| C10-752163-000 | PCB SOLDER RECEPTACLE BLACK, 5.7MM |
| C10-685189-000 | CRIMP AWG 4, RECEPTACLE, GRAY, 5.7MM |
| C10-779638-000 | CRIMP AWG 4, RECEPTACLE, GRAY, 5.7MM |

DIMENSIONAL REFERENCE

C10-752162-000
RADSOK® Plug, 400V



C10-752163-000
RADSOK® Receptacle, 400V



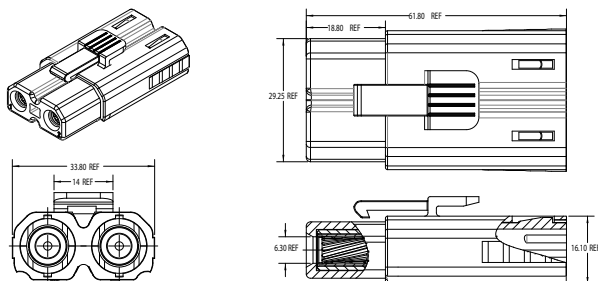
Amphe-PD Mini 5.7mm

| Plug Connector with Crimp Terminals | |
|-------------------------------------|----------------------|
| Part Number | Description |
| APD057PRC0201700B | BLACK, 5.7MM - AWG 2 |
| APD057PRC0401700B | BLACK, 5.7MM - AWG 4 |
| APD057PRC0601700B | BLACK, 5.7MM - AWG 6 |

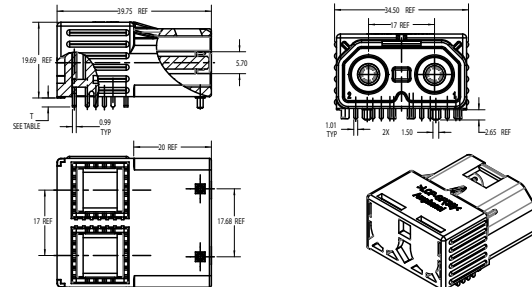
| Receptacle Connectors: PCB | |
|----------------------------|--|
| Part Number | Description |
| APD057RRS2341700B | SOLDIER TAIL LENGTH 2.34MM, BLACK, 5.7MM |
| APD057RRS2841700B | SOLDIER TAIL LENGTH 2.84MM, BLACK, 5.7MM |
| APD057RRS3841700B | SOLDIER TAIL LENGTH 3.84MM, BLACK, 5.7MM |
| APD057RRP3801700B | PRESS FIT PCB, RECEPTACLE, BLACK, 5.7MM |

DIMENSIONAL REFERENCE

APD057PRC0401700B
RADSOK® Plug, 4AWG CABLE



APD057RRS2341700B
RADSOK® Receptacle, 2.34MM



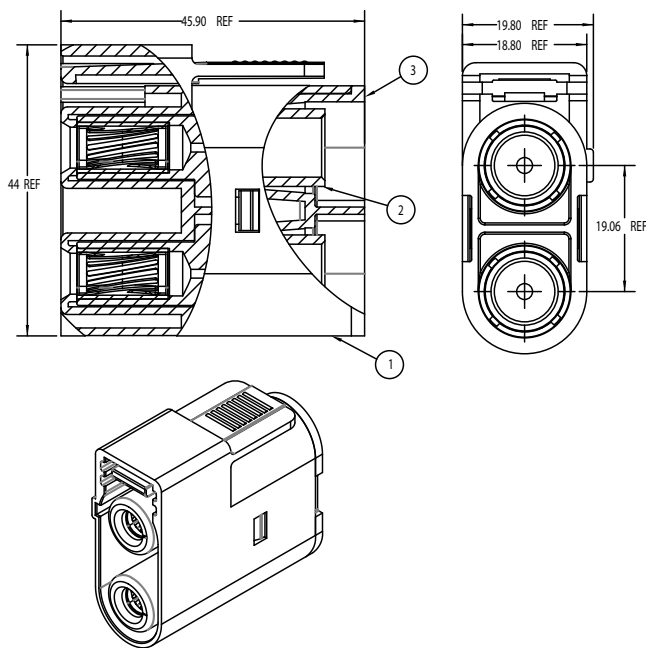
Amphe-PD Gen2 5.7mm

| Plug Connector with Crimp Terminals | |
|-------------------------------------|----------------------|
| Part Number | Description |
| APD057PVC0401906RA | RED, 5.7MM - AWG 4 |
| APD057PVC0401906BA | BLACK, 5.7MM - AWG 4 |

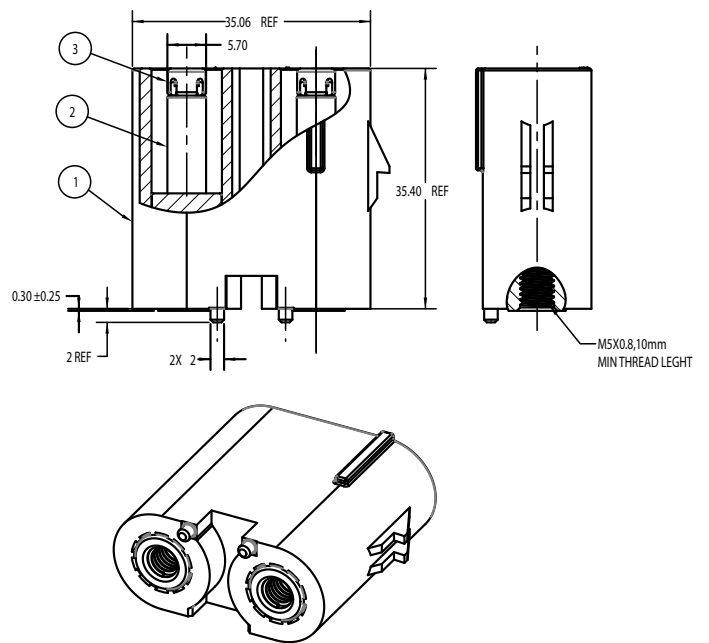
| Receptacle Connectors: PCB | |
|----------------------------|-------------------------------------|
| Part Number | Description |
| APD057RVBM051905RA | BOLT ON PCB RECEPTACLE RED, 5.7MM |
| APD057RVBM051905BA | BOLT ON PCB RECEPTACLE BLACK, 5.7MM |

DIMENSIONAL REFERENCE

APD057PVC0401906BA
RADSOK® Plug, 4AWG Cable



APD057RVBM051905BA
RADSOK® Receptacle, BOLT ON



Amphe-PD Code Numbers

| 1 | 2 | 3 | 4 | 5 | 6 | 7 | 8 |
|-----------------|-----------|--------------------------|-------------------------------|---|---|--------------------|---|
| APD | XXX | X | X | XXXX | XXXX | X | X |
| Product Line | RADSOK® | Plug/Receptacle | Mating direction | Terminal Spec | Pitch | Color | Keyway |
| Amphe-PD | 057=5.7mm | P: Plug R: Receptacle | R: Right Angle V: Vertical | Receptacle: Press fit or soldering SXXX: Solder + length of solder pin PXXX: Press fit + length of needle BXXX: Bolt on + screw spec. Plug: Crimp cable CXXX: Crimp + wire gauge | Mini PD: 1700:17mm Gen2 PD: 1906: 19.06mm | R: Red B: Black | Omit: No keyway A: A keyway B: B keyway |



AMPHENOL CORPORATION

Amphenol Industrial

Phone: 888-364-9011

20 Valley Street

Endicott, NY 13760-3600

www.amphenol-industrial.com

Amphenol Technology(Zhuhai) Co., Ltd.

No.63, Xinghan Road, Sanzao Town,

Jinwan, Zhuhai, 519040

China Tel: +86-756-398 9725

Fax: +86-756-398 9768

www.amphenol-industrial.com

Email: tech@amphenol-aio.com