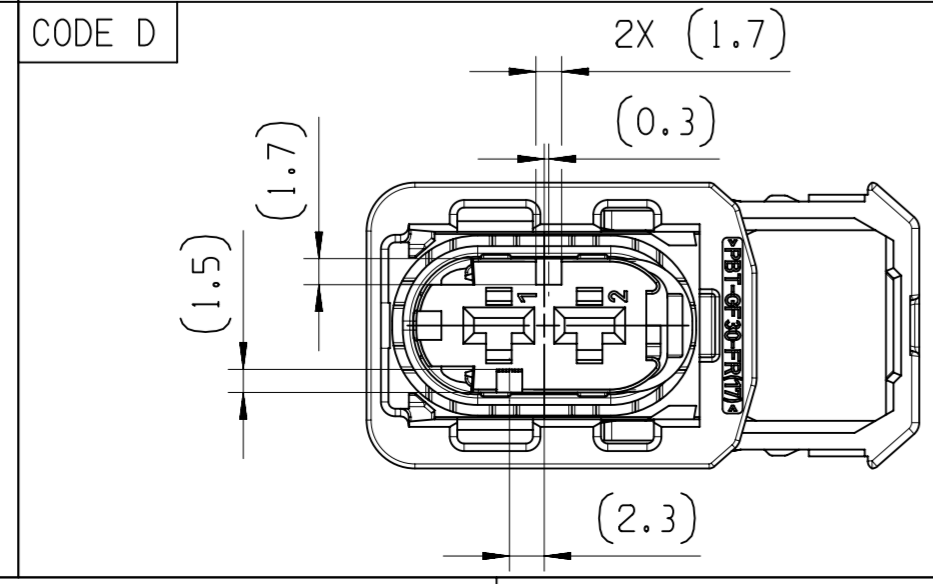
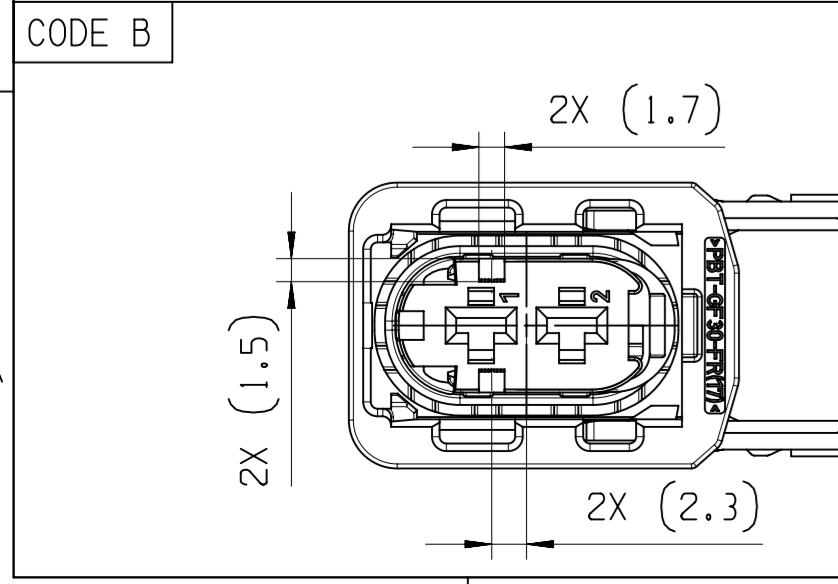
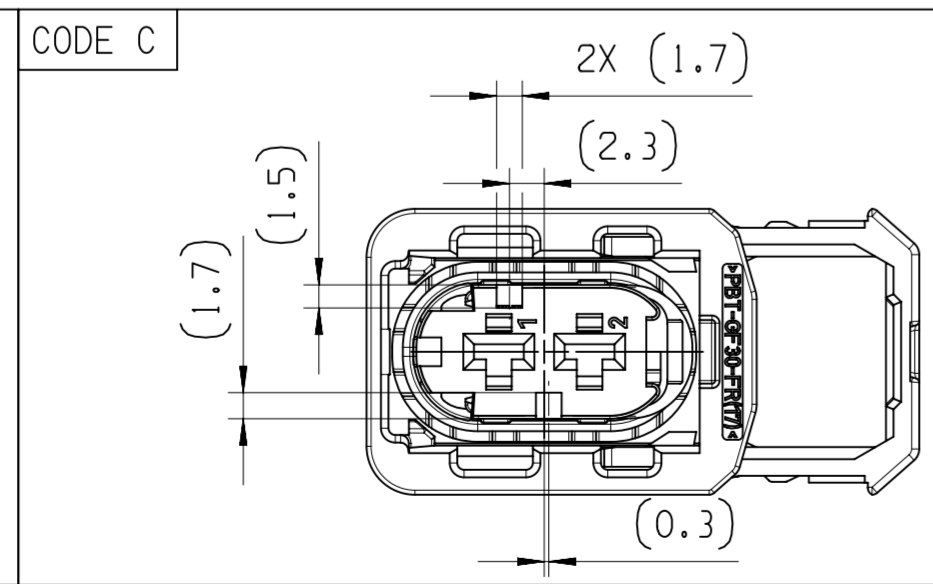
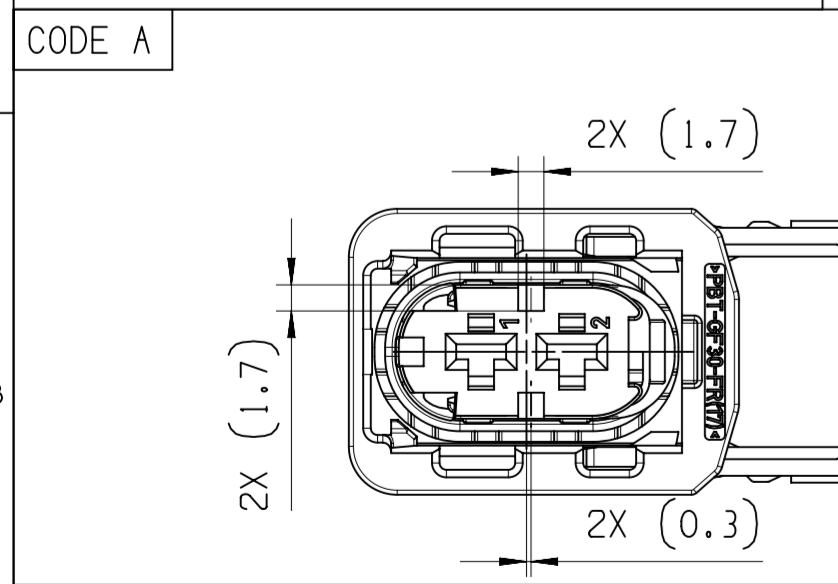
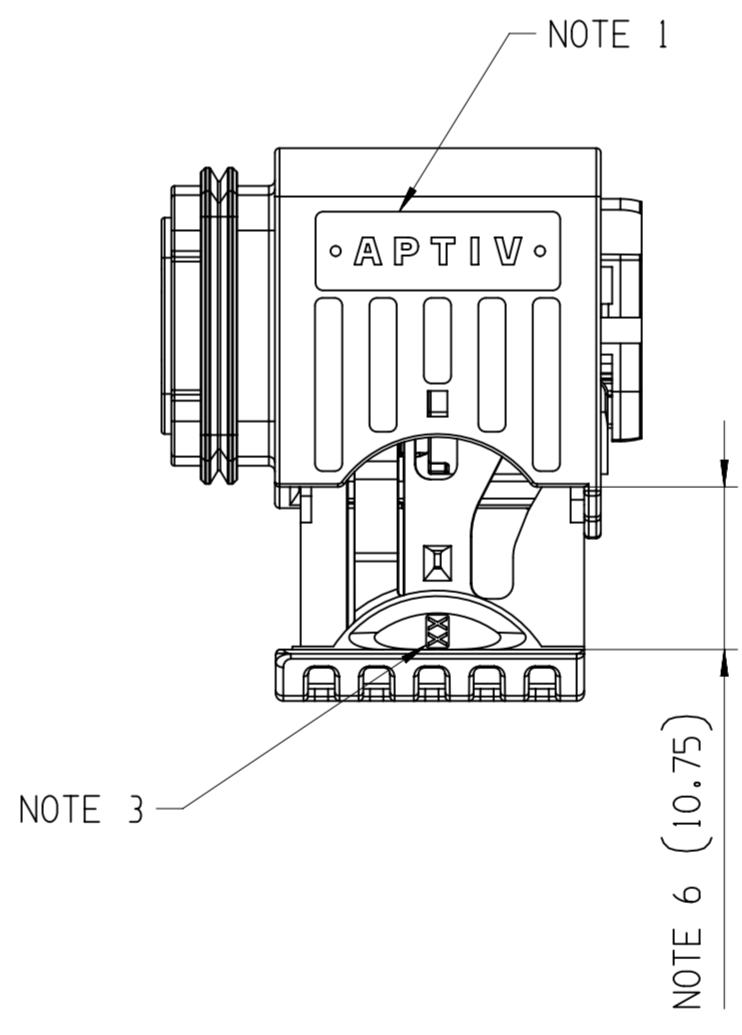
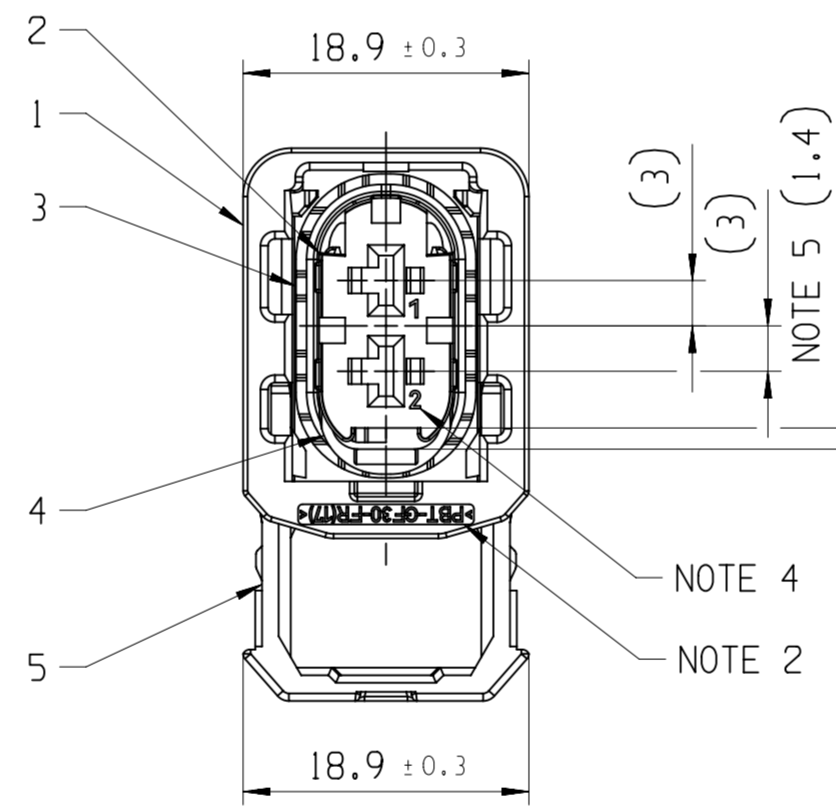
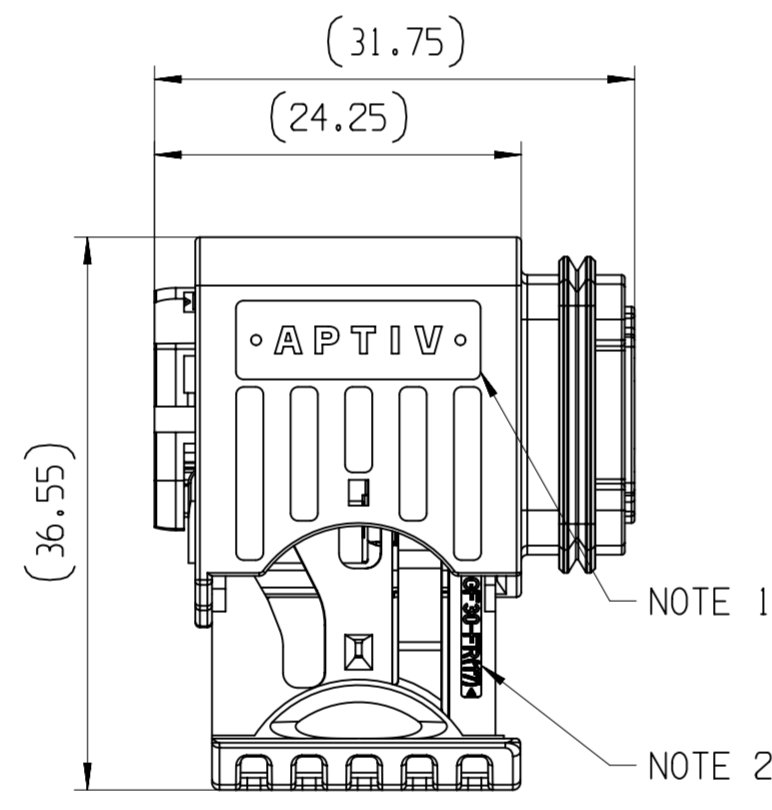
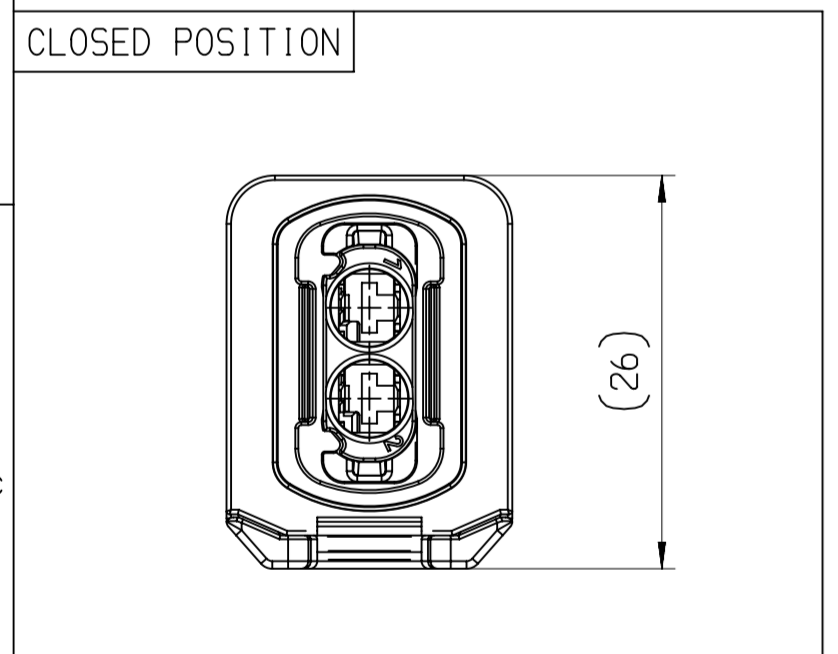


ASSEMBLY-NO.:	PART-REV	CODING	MATERIAL/WEIGHT
33253554	01	CODE A	ALL PARTS V0 / 11.3
33253557	01	CODE B	
33253560	01	CODE C	
33253563	01	CODE D	
33344639	01	CODE A	ALL PARTS NVO / 11.0
33344649	01	CODE B	
33344650	01	CODE C	
33344652	01	CODE D	

POSITION	1			2				3		4		5			
NAME	HOUSING			INSERT				HOUSING SEAL	SECONDARY LOCK		SLIDER				
MATERIAL	PBT GF30 FR17	PBT GF30	PBT GF30 FR17				PBT GF30		LSR 50 SHORE	PBT GF30 FR17	PBT GF30	PBT GF30 FR17	PBT GF30		
COLOR:	BLACK	BLACK	BLACK	GRAY	GREEN	BLUE	BLACK	GRAY	GREEN	BLUE	REDDISH-BROWN	ORANGE	YELLOW	ORANGE	YELLOW
PART-NO.:	33248746	33343693	33249041	33249040	33249038	33249031	33344027	33344030	33344031	33344032	33248811	33248653	33343690	33248753	33343694

DWG STATUS				ZONE	REVISION HISTORY		AUTH	DR	APVD 1	APVD 2	
DATE	STG	REV	N/P/CHG								
250C18	R	01			B7	INITIAL RELEASE			K.FAR	P.NAJ	M.GRU
300C19	R	01	AA		G11	REFERENCE HELLERMANN TYTON DWG-NO. ADDED			K.FAR	M.GRU	K.PIT
280C20	R	01	AC		B7	PART AVAILABILITY FOR PART NUMBERS 33344639, 33344649, 33344650, 33344652 UPDATED			P.NAJ	M.GRU	
						HT DWG-NO: 18-0195-001-CSG WAS 17-0195-001-CSG			P.NAJ	M.GRU	



**NOTES**

- ON MAIN VIEW ASSEMBLY 33253554 SHOWN (CODE A)
- DELIVERED CONDITION AS ON MAIN VIEWS - SECONDARY LOCK AND SLIDER IN OPEN POSITION
- ASSEMBLY INSTRUCTION NO.:
  - 35269106-CUS71 - PRELIMINARY ASSEMBLY
  - 35269106-CUS72 - HARNESS ASSEMBLY
  - 35269103-CUS73 - CAR ASSEMBLY
  - 35269102-CUS73 - CAR ASSEMBLY
- MATING PARTS:
  - 2 WAY 2.8 MALE PANEL MOUNT ASM DWG-NO.: 33254106
  - BACKSHELL 90 DEG APTIV DWG-NO.: 33365444 (HT DWG-NO.: 17-2274-001-CSG)
  - BACKSHELL 180 DEG APTIV DWG-NO.: 33365244 (HT DWG-NO.: 17-1454-001-CSG)
  - ROTARY BACKSHELL 90 DEG APTIV DWG-NO.: 35024558 (HT DWG-NO.: 18-0195-001-CSG)
  - ROTARY BACKSHELL 180 DEG APTIV DWG-NO.: 35024559 (HT DWG-NO.: 17-0598-001-CSG)
  - PROTECTION CAP APTIV DWG-NO.: 35149887 (HT DWG-NO.: 17-2264-001-CSG)
- MATING TERMINAL SYSTEM:
  - 2.8 TERMINAL DWG-NO.: 15446676
  - MAX WIRE CROSS SECTION: 2.5MM<sup>2</sup>

1 APTIV LOGO  
 2 MATERIAL NAME ACCORDING TO VDA 260  
 3 TOOL CAVITY NUMBER  
 4 PART CAVITY NUMBER  
 5 MOVING DISTANCE OF SECONDARY LOCK  
 6 MOVING DISTANCE OF SLIDER

DIM TO CHECK	DIMENSIONAL RANGE (MM)	TOLERANCE UNLESS OTHERWISE SPECIFIED
( ) DIM FOR HELP	FROM > 0 TO > 20	±0.15
	> 20 TO > 30	±0.2
	> 30 TO > 70	±0.3
	> 70 TO > 100	±0.4
	> 100 TO > 150	±0.5
	> 150 TO > 200	±0.6
	> 200 TO > 250	±0.8
	> 250 TO > 300	±1
	> 300 TO > 400	±1.2
THEORETIC DIM		±0.2

SCALE: 1:1

DWG TYP: PART DRAWING

WEIGHT (GR): SEE CHART

VOLUME (CM<sup>3</sup>): ---

ROUTING: ---

UNLESS OTHERWISE SPECIFIED

GENERAL TOLERANCES ACCORDING TO: SEE CHART

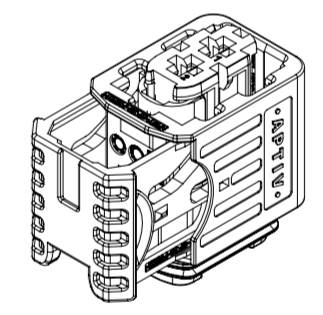
GD&T ACCORDING TO: ISO 1101

REFERENCE

FIRST ANGLE PROJECTION

DO NOT SCALE

USE MATH DATA



**• APTIV •**

CONNECTION SYSTEMS  
 KRAKOW, POLAND  
 COPYRIGHT 2018 APTIV. ALL RIGHTS RESERVED.

THIS DRAWING IS THE PROPERTY OF APTIV AND CONTAINS APTIV CONFIDENTIAL INFORMATION. THE REPRODUCTION, DISTRIBUTION AND UTILIZATION OF THIS DOCUMENT OR ITS RELATED CAD MATH DATA, AS WELL AS COMMUNICATION OF ANY CONTENT TO OTHERS, WITHOUT EXPRESS AUTHORIZATION, IS PROHIBITED.

TEN RYSUNEK JEST WLASNOSCIA APTIV I ZAWIERA POUFNE INFORMACJE POWIELANE, ROZPIWISZCZNIANE I WYKORZYSTYWANE TEGO DOKUMENTU LUB ZWIAZANYCH Z NIM DANYCH CAD, JAK ROWNIEZ PRZEKAZYWANIE INNYM JAKIEJKOLWIEK ICH ZAWARTOSCI, BEZ NADANA WYRAZNYCH UPRAWNIEN, JEST ZABRONIONE.

DR	DATE
K.FARON	240C18
P.NAJDUCH	250C18
M.GRUDZEWSKI	260C18

MATERIAL: SEE CHART

DRAWING NAME: 2 WAY 2.8 CTCS FEMALE ASSEMBLY

DRAWING NUMBER: 33253564

SIZE	SCALE	FRAME NO	SHEET NO	STG	REV	N/P
A1	2:1	1 OF 1	1 OF 1	R	01	AC