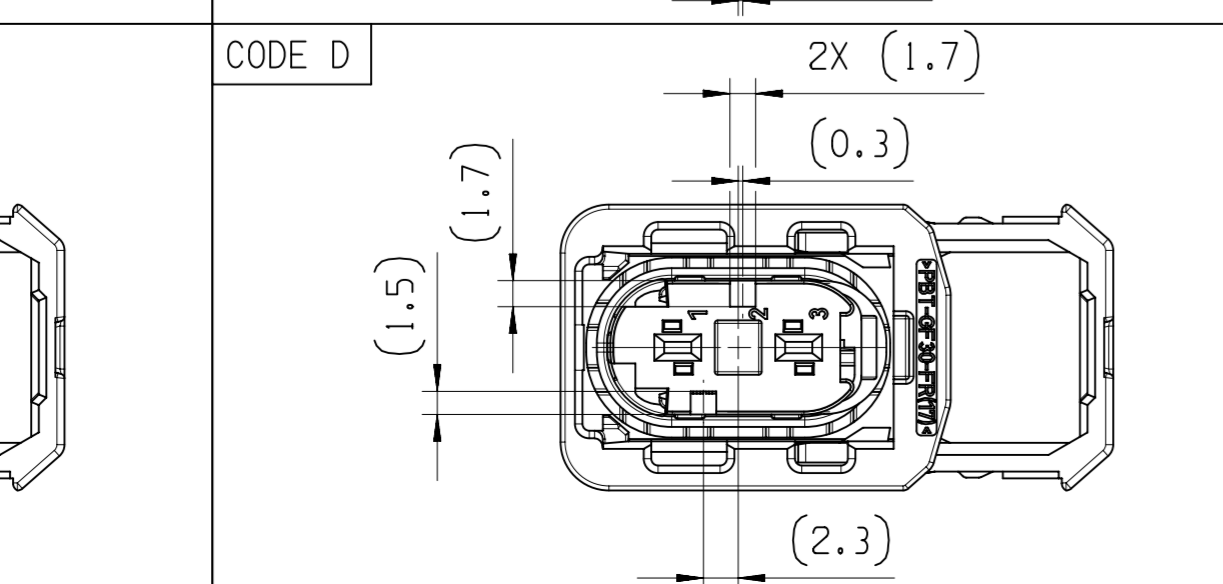
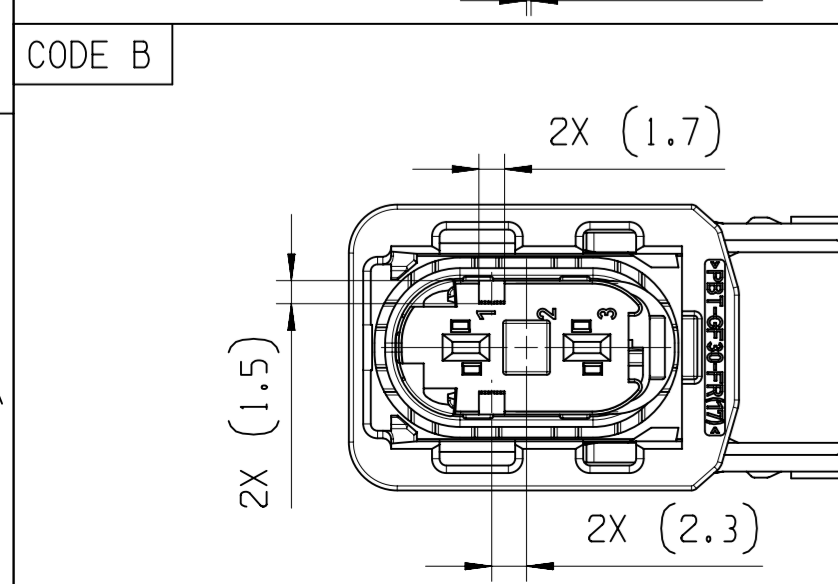
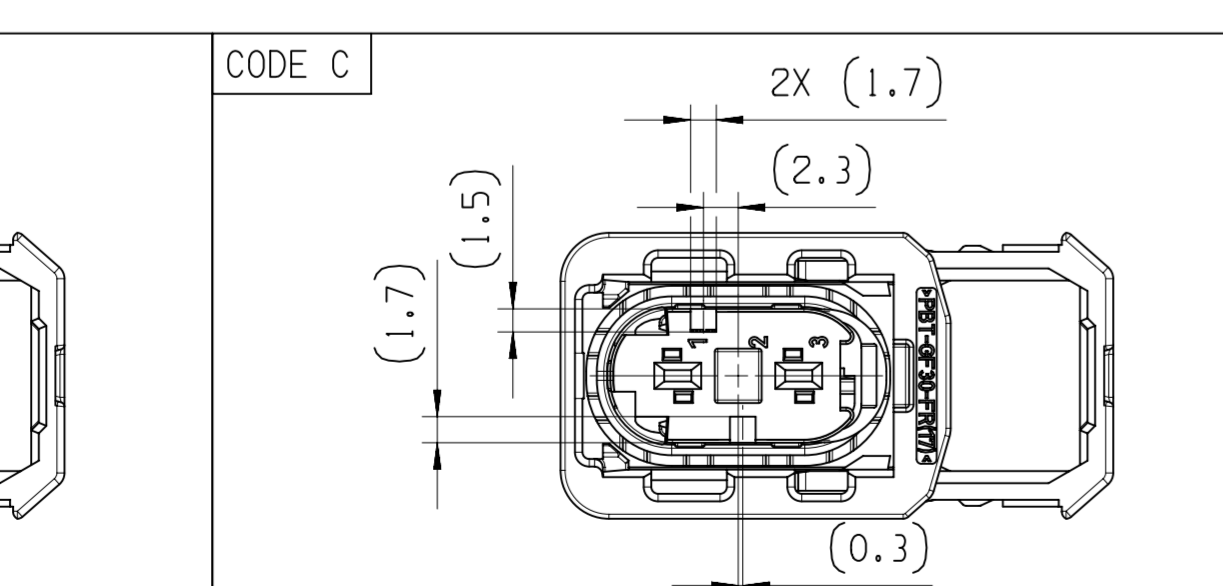
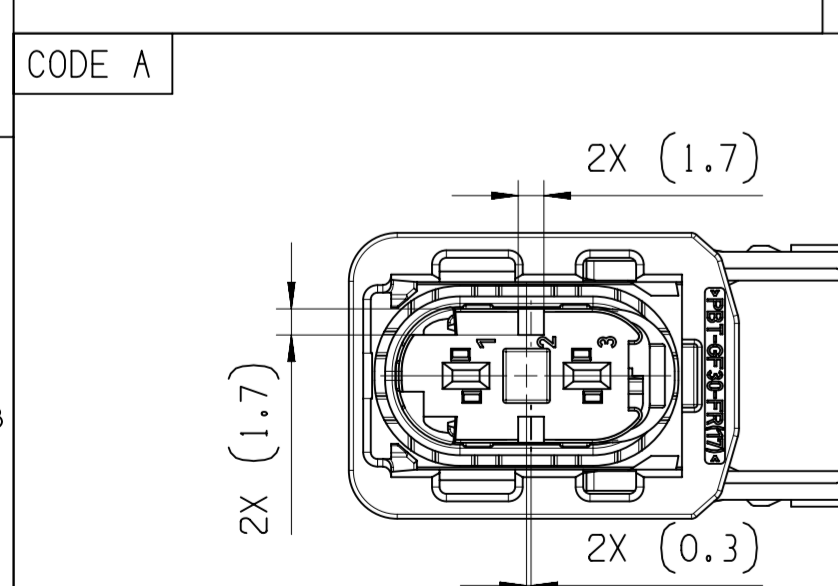
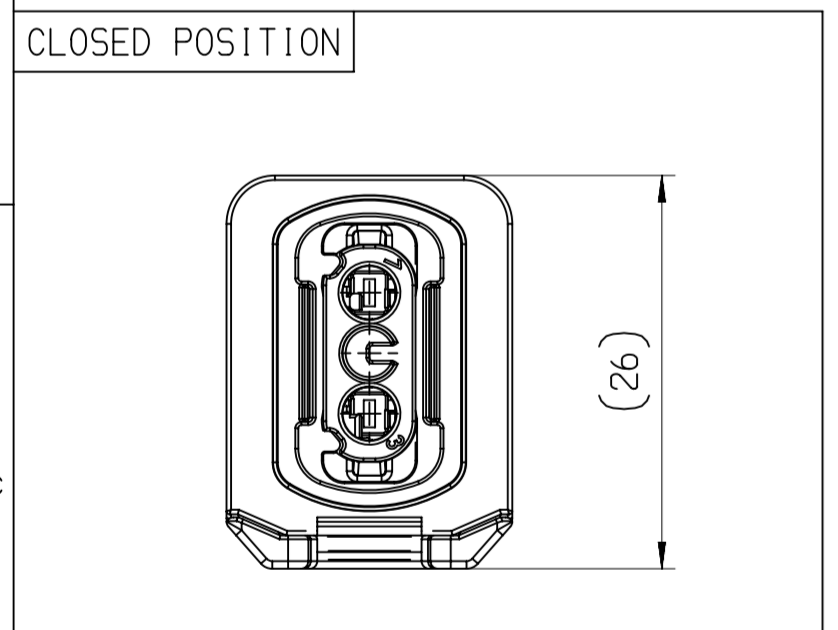
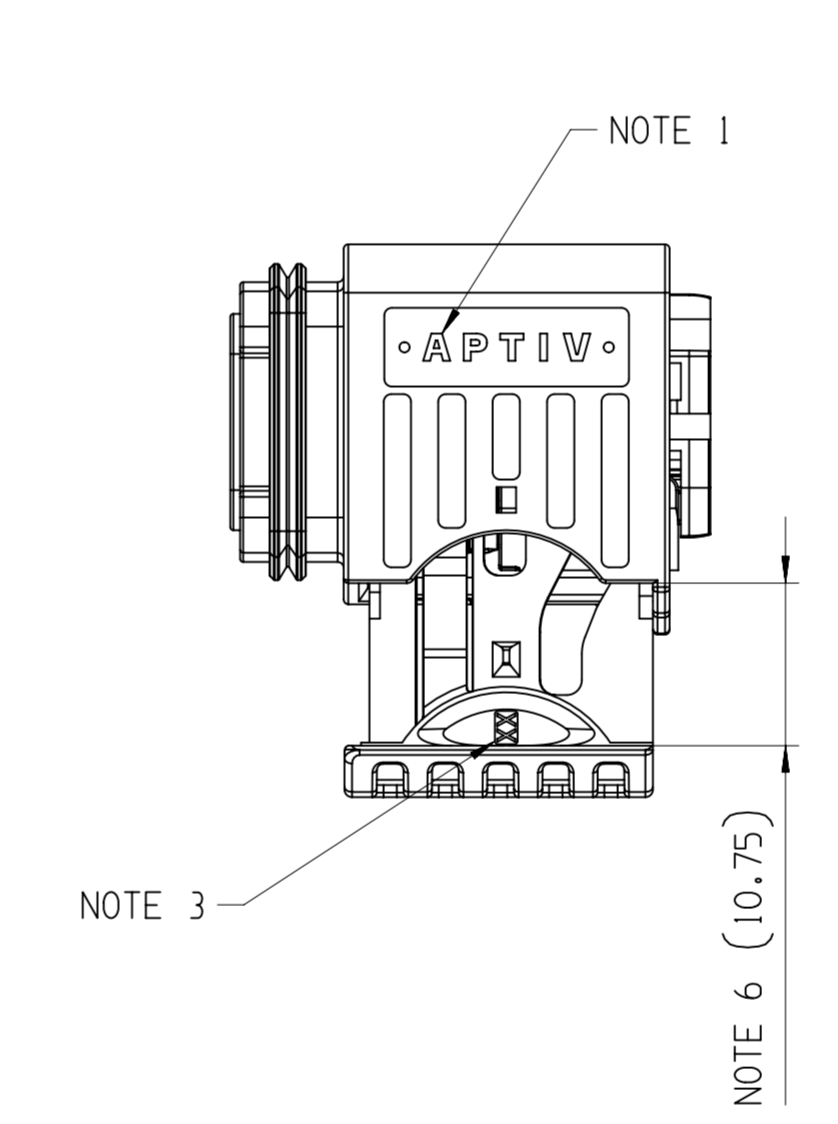
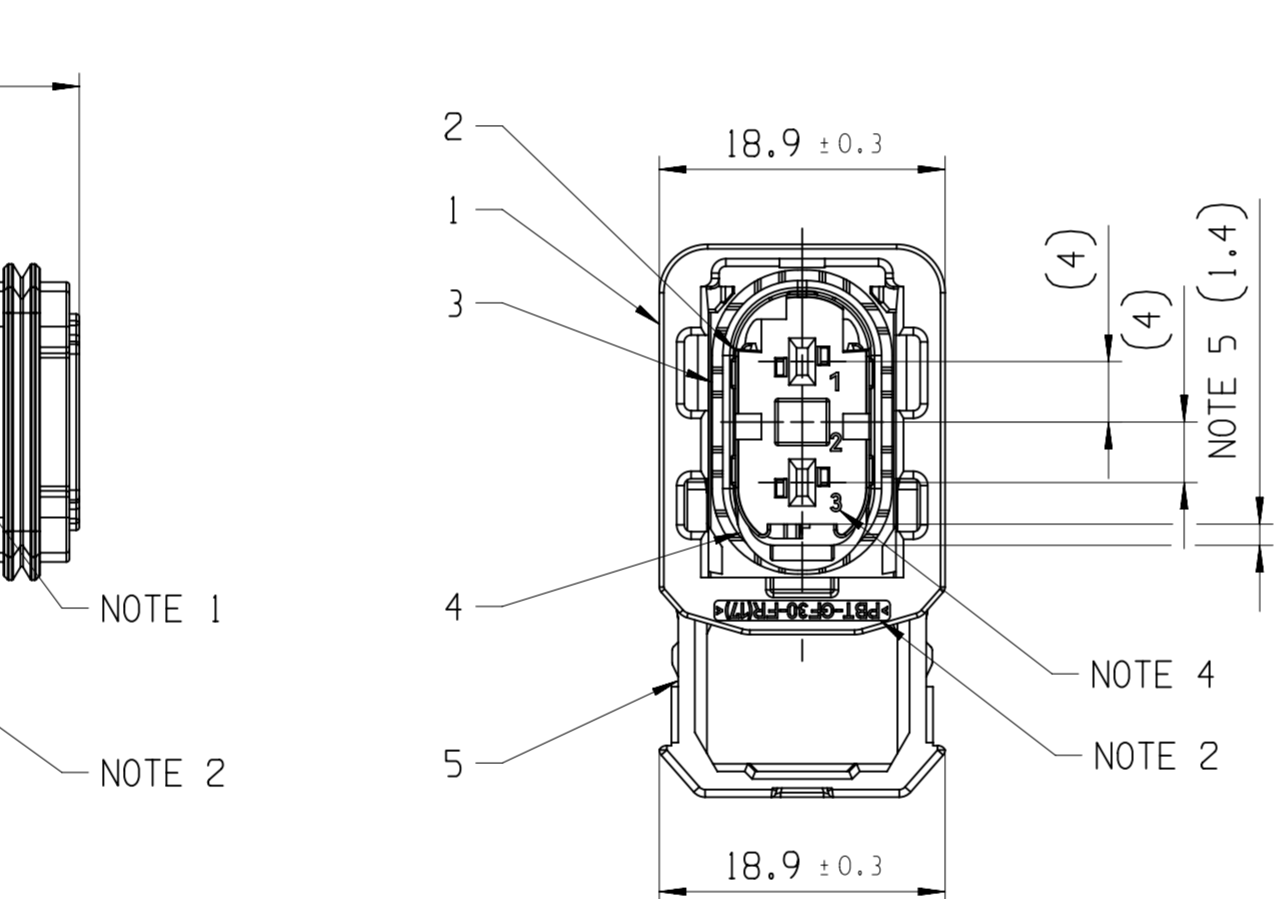


ASSEMBLY-NO.:	PART-REV	CODING	MATERIAL/WEIGHT
33253266	01	CODE A	ALL PARTS V0 / 11.9
33253267	01	CODE B	
33253268	01	CODE C	
33253269	01	CODE D	
33344638	01	CODE A	ALL PARTS NVO / 11.5
33344640	01	CODE B	
33344641	01	CODE C	
33344673	01	CODE D	

POSITION	1			2				3				4				5				
NAME	HOUSING			INSERT				HOUSING SEAL				SECONDARY LOCK				SLIDER				
MATERIAL	PBT GF30 FR17	PBT GF30	PBT GF30 FR17				PBT GF30				LSR 50 SHORE	PBT GF30 FR17	PBT GF30	PBT GF30 FR17	PBT GF30	14MR19	R	01	AA	B7
COLOR:	BLACK	BLACK	BLACK	GRAY	GREEN	BLUE	BLACK	GRAY	GREEN	BLUE	REDDISH-BROWN	ORANGE	YELLOW	ORANGE	YELLOW	280C20	R	01	AB	G11 A7 B7
PART-NO.:	33248746	33343693	33249084	33249082	33249387	33249081	33344018	33344020	33344021	33344022	33248811	33248650	33343692	33248753	33343694					

DWG STATUS				ZONE	REVISION HISTORY				AUTH	DR	APVD 1	APVD 2
DATE	STG	REV	N/P/CHG									
250C18	R	01			INITIAL RELEASE					K.FAR	P.NAJ	M.GRU
					REFERENCE HELLERMANN TYTON DWG-NO. ADDED					K.FAR	M.GRU	K.PIT
					PART AVAILABILITY FOR PART NUMBERS 33344638, 33344640, 33344641, 33344673 UPDATED					P.NAJ	M.GRU	
					NOTES UPDATED							
					HT DWG-NO: 18-0195-001-CSG WAS 17-0195-001-CSG							



**NOTES**

- ON MAIN VIEW ASSEMBLY 33253266 SHOWN (CODE A)
- DELIVERED CONDITION AS ON MAIN VIEWS - SECONDARY LOCK AND SLIDER IN OPEN POSITION

**ASSEMBLY INSTRUCTION NO.:**

- 35269106-CUS71 - PRELIMINARY ASSEMBLY
- 35269106-CUS72 - HARNESS ASSEMBLY
- 35269103-CUS73 - CAR ASSEMBLY
- 35269102-CUS73 - CAR ASSEMBLY

**MATING PARTS:**

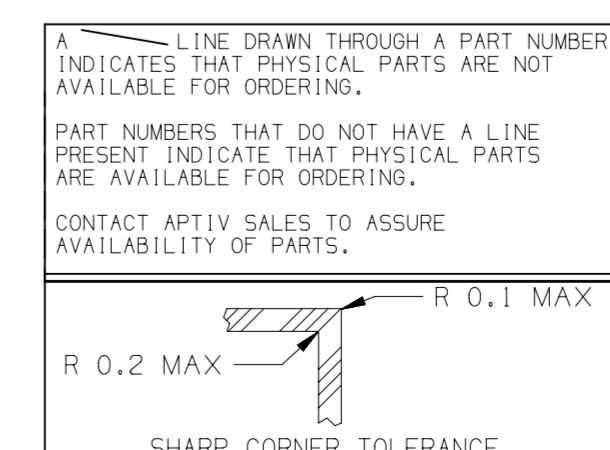
- 3 WAY 1.5 MALE PANLE MOUNT ASM DWG-NO.: 33254299
- 3 WAY 1.5 MALE STRAP MOUNT ASM DWG-NO.: 33254069
- BACKSHELL 90 DEG APTIV DWG-NO.: 33365444 (HT DWG-NO.: 17-2274-001-CSG)
- BACKSHELL 180 DEG APTIV DWG-NO.: 33365244 (HT DWG-NO.: 17-1454-001-CSG)
- ROTARY BACKSHELL 90 DEG APTIV DWG-NO.: 35024558 (HT DWG-NO.: 18-0195-001-CSG)
- ROTARY BACKSHELL 180 DEG APTIV DWG-NO.: 35024559 (HT DWG-NO.: 17-0598-001-CSG)
- PROTECTION CAP APTIV DWG-NO.: 35149887 (HT DWG-NO.: 17-2264-001-CSG)

**MATING TERMINAL SYSTEM:**

- 1.5 TERMINAL DWG-NO.: 15432214
- MAX WIRE CROSS SECTION: 1.0MM<sup>2</sup>
- RECOMMENDATION FOR 1.5 TERMINAL WITH WIRE CROSS SECTION 1.5MM<sup>2</sup> - USE COMBINATION:
- TE TERMINAL: MCP 1.5, DWG NO.: 1418884-3
- SEAL: 964972-1
- MAX INSULATION CRIMP DIMENSIONS: HEIGHT: 3.40; WIDTH: 3.30

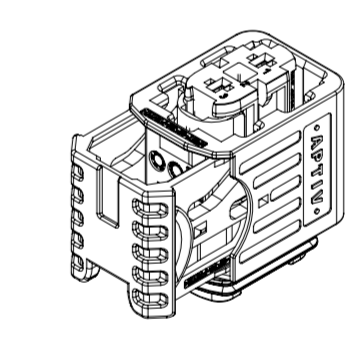
**NOTES**

- 1 APTIV LOGO
- 2 MATERIAL NAME ACCORDING TO VDA 260
- 3 TOOL CAVITY NUMBER
- 4 PART CAVITY NUMBER
- 5 MOVING DISTANCE OF SECONDARY LOCK
- 6 MOVING DISTANCE OF SLIDER



DIM TO CHECK	DIMENSIONAL RANGE (MM)	TOLERANCE UNLESS OTHERWISE SPECIFIED	CHART	EL					
FROM	> 0	> 20	> 30	> 100	> 200	> 250	> 300	> 400	
TO	> 20	30	70	100	150	200	250	300	400
( ) DIM FOR HELP									
THEORETIC DIM		±0.15	±0.2	±0.3	±0.4	±0.5	±0.6	±0.8	±1
									±1.2
									ANGULAR TOLERANCE +2°

SCALE: 1:1	
DWG TYP: PART DRAWING	DISTR CODE: D
WEIGHT (GR)	
SEE CHART	
VOLUME (CM <sup>3</sup> )	
ROUTING	
UNLESS OTHERWISE SPECIFIED	
GENERAL TOLERANCES ACCORDING TO: SEE CHART	
GD&T ACCORDING TO: ISO 1101	
REFERENCE	
FIRST ANGLE PROJECTION	
DO NOT SCALE	
USE MATH DATA	



**• APTIV •**

CONNECTION SYSTEMS  
KRAKOW, POLAND  
COPYRIGHT 2018 APTIV. ALL RIGHTS RESERVED.

THIS DRAWING IS THE PROPERTY OF APTIV AND CONTAINS APTIV CONFIDENTIAL INFORMATION. THE REPRODUCTION, DISTRIBUTION AND UTILIZATION OF THIS DOCUMENT OR ITS RELATED CAD MATH DATA, AS WELL AS COMMUNICATION OF ANY CONTENT TO OTHERS, WITHOUT EXPRESS AUTHORIZATION, IS PROHIBITED.

TEN RYSUNEK JEST WLASNOSCIA APTIV I ZAWIERA POUFNE INFORMACJE POWIELANE, ROZPOWISZCZANIE I WYKORZYSTYWANIE TEGO DOKUMENTU LUB ZWIAZANYCH Z NIM DANYCH CAD, JAK ROWNIEZ PRZEKAZYWANIE INNYM JAKIEKOLWIEK ICH ZAWARTOSCI, BEZ NADANA WYRAZNYCH UPRAWNIEN, JEST ZABRONIONE.

DR	K.FARON	DATE	240C18
APVD1	P.NAJDUCH		250C18
APVD2	M.GRUDZEWSKI		260C18
APVD3			
APVD4			
APVD5			

SUBSTANCES OF CONCERN AND RECYCLED CONTENT PER APTIV 10949001 SUBSTANCJE NIEBEZPIECZNE I POWTORNIE PRZETWORZONE OKRESLA APTIV 10949001

MATERIAL: SEE CHART

DRAWING NAME: 2 WAY 1.5 CTCS FEMALE ASSEMBLY

DRAWING NUMBER: 35124386

SIZE	A1	SCALE	2:1	FRAME NO	1 OF 1	SHEET NO	1 OF 1	STG	R	REV	01	N/P	AB
------	----	-------	-----	----------	--------	----------	--------	-----	---	-----	----	-----	----