
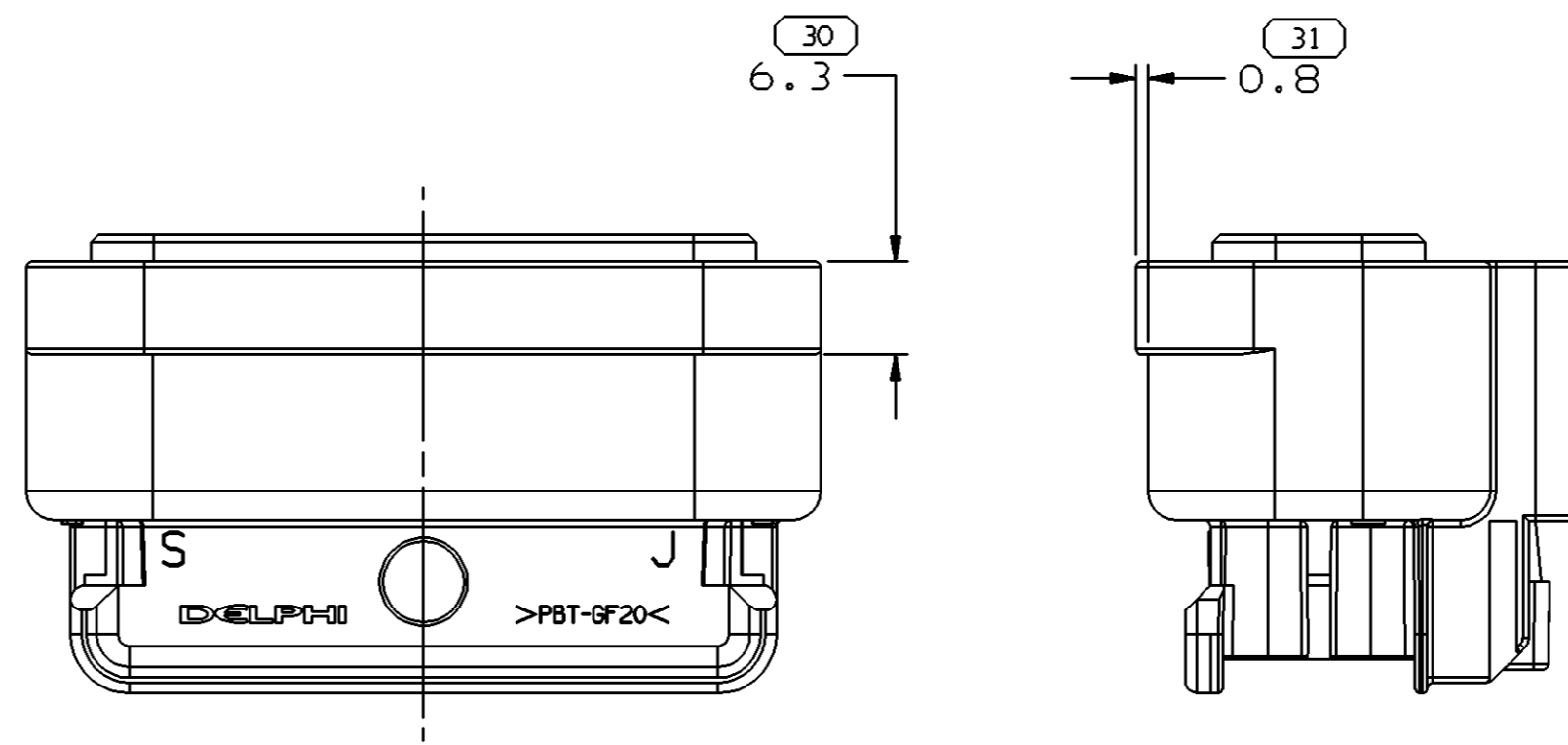
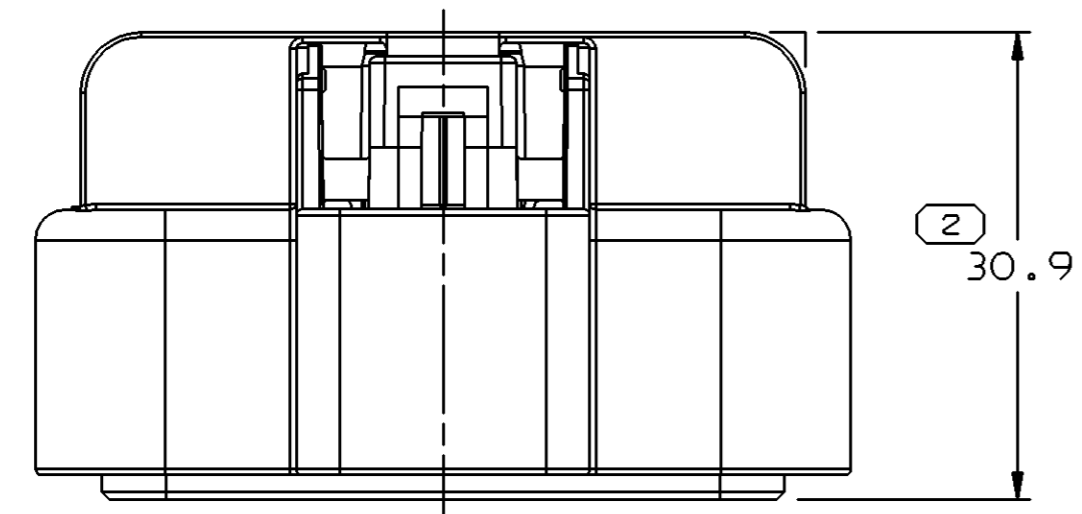
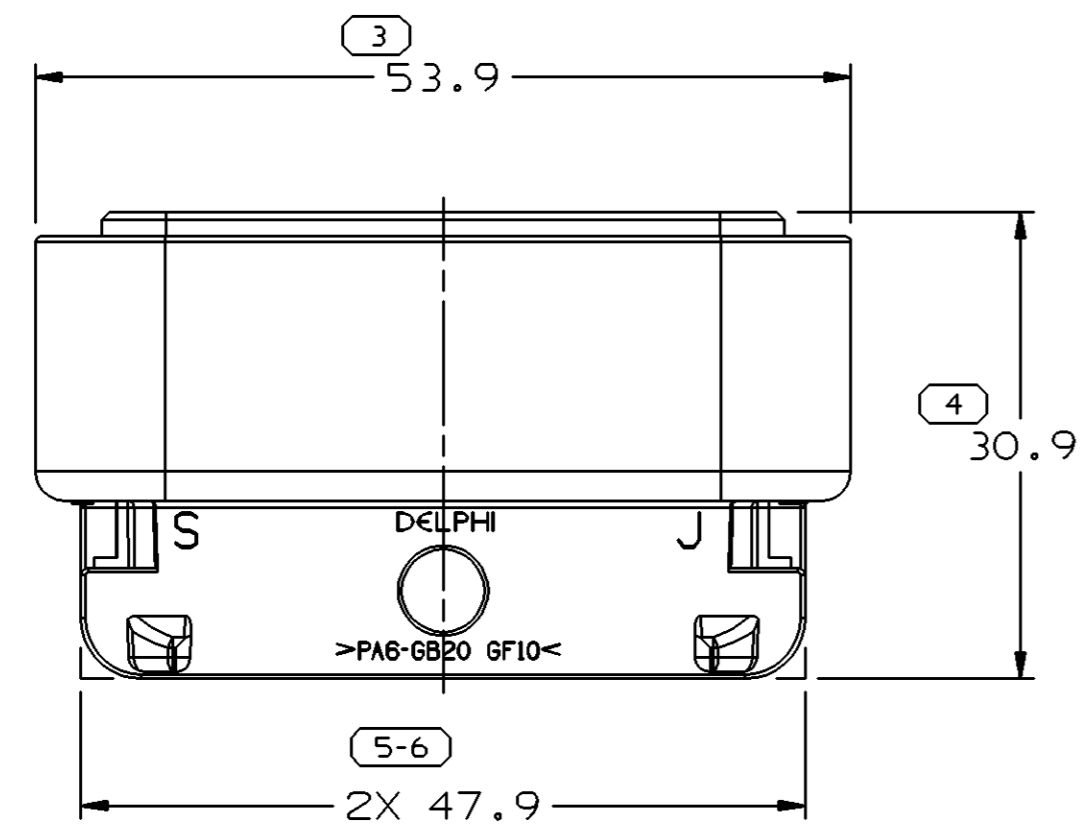
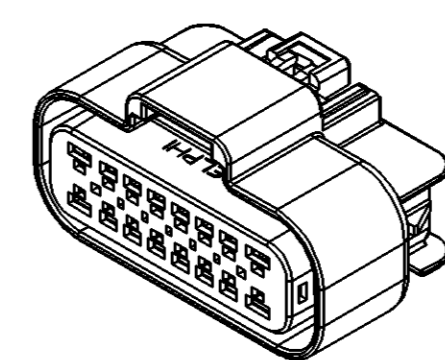
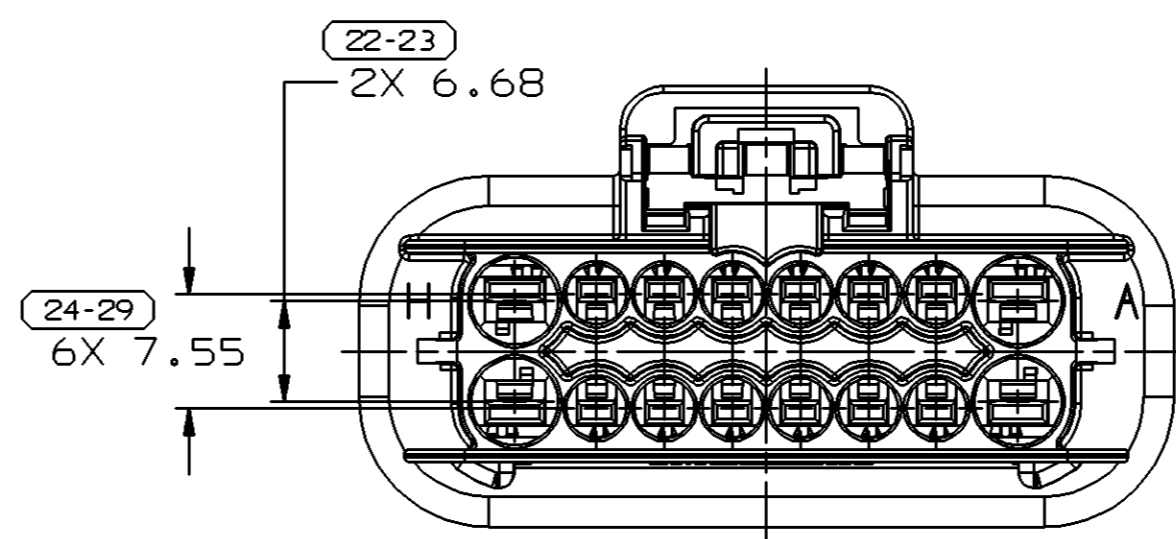
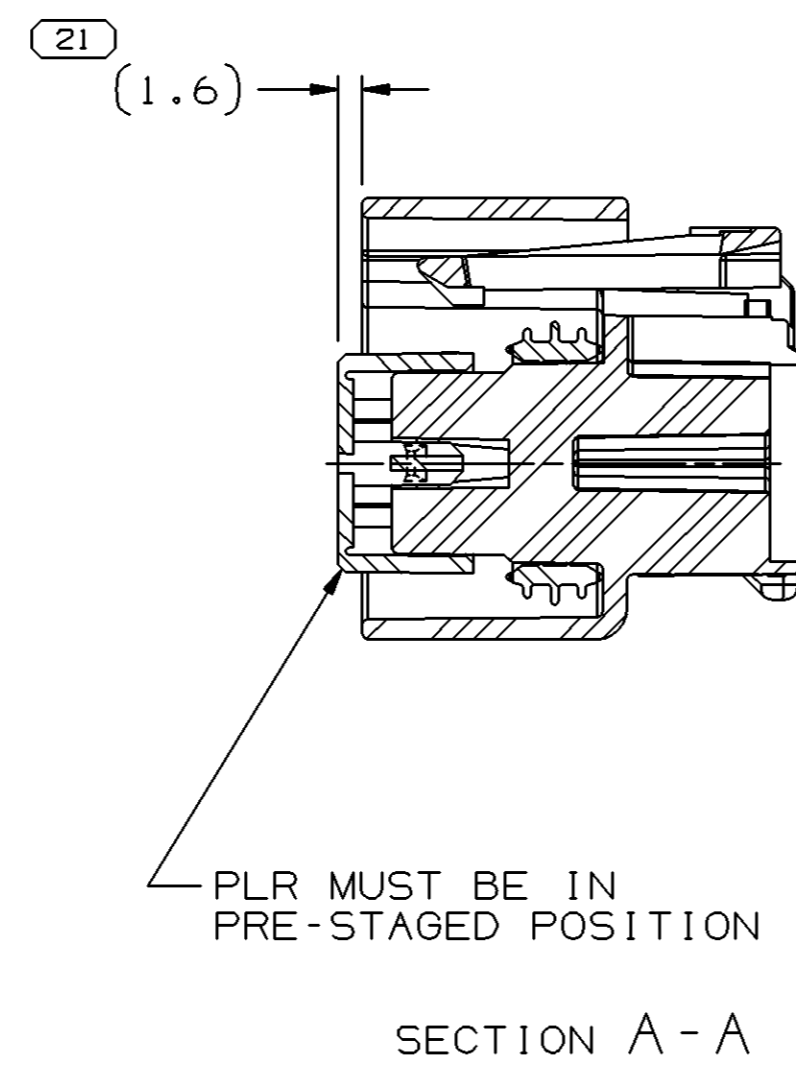
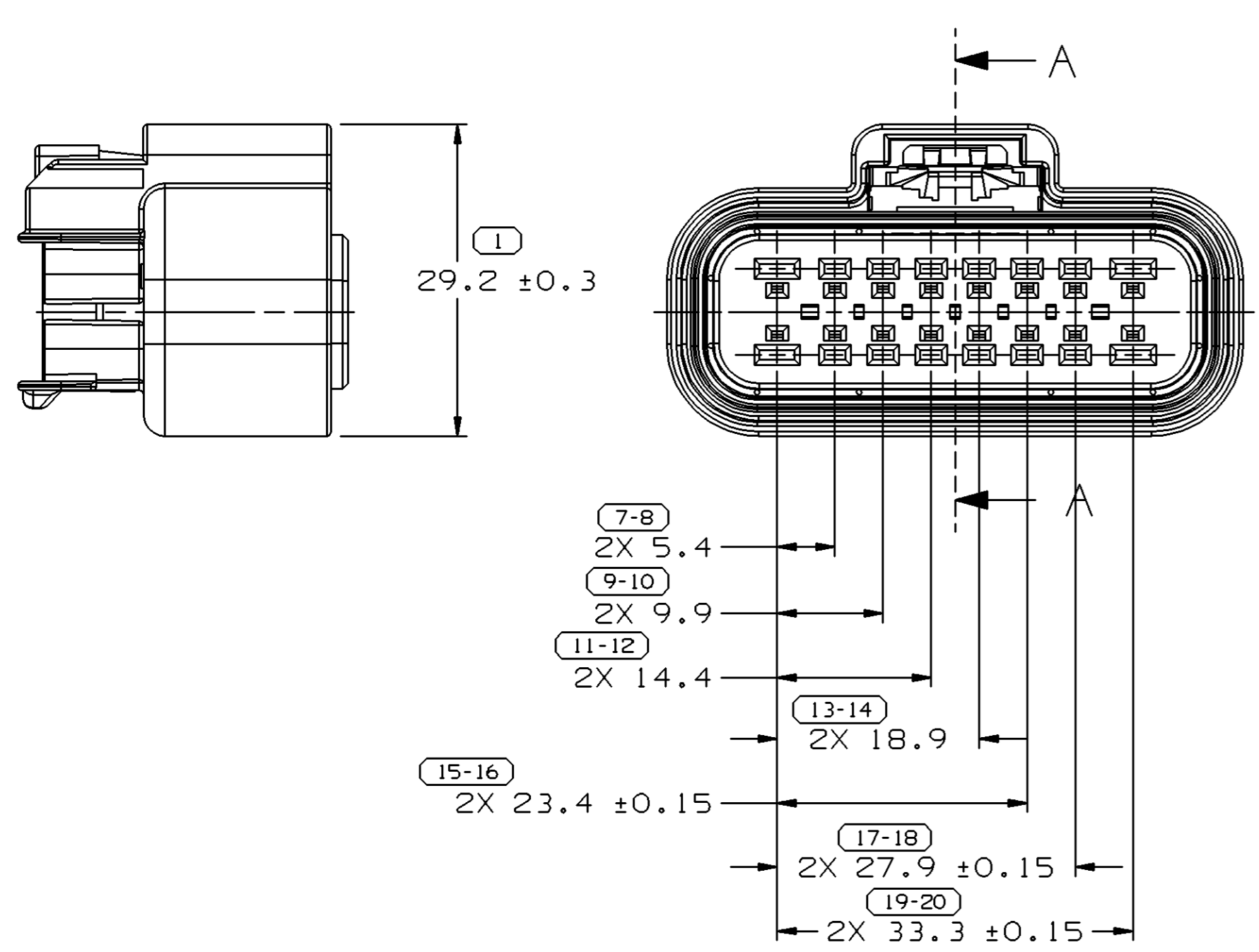


| SYMBOL DEFINITION  |                                 | MISSING NUMBERS |  |
|--|---------------------------------|-----------------|--|
| A DIMENSION WITHOUT AN INSPECTION REPORT SYMBOL  DOES NOT REQUIRE INSPECTION. IT MAY BE CONTROLLED ON AN INDIVIDUAL COMPONENT DRAWING. | TOTAL NO. OF SYMBOLS ON DRAWING | 17              |  |
|  | LAST NO. USED                   | 31              |  |

| DWG STATUS |     |     |     |     | ZONE | REVISION HISTORY  | AUTH   | DR  | APVD1 | APVD2 |
|------------|-----|-----|-----|-----|------|---|--------|-----|-------|-------|
| DATE       | STG | REV | N/P | CHG |      |   |        |     |       |       |
| 12N002     | R   | 01  | -   | -   |      | PART 15326084 WAS ON SEPARATE DWG; ADDED PART 15445020  | 233265 | RH  | RH    | CD    |
| 18SE03     | R   | 02  | -   | -   |      | 15479301 - RELEASED<br>15445020 - OBSOLETE  | 246054 | EES | EES   | MJC   |
| 080C03     | R   | 03  | -   | -   |      | 15479301 - REVISED GRAPHICS   | 247151 | ADK | TLD   | MC    |
| 01JN04     | R   | 04  | -   | -   |      | ALL PARTS - ADDED CONFIG REQ COLUMN TO CHART; REVISED "MATING COMPONENT" NOTE TO INCLUDE USCAR COMPLIANCE | 255419 | ADK | ADK   | MC    |
| 10JN04     | R   | 05  | -   | -   |      | ALL PARTS - ADDED NOTE  | 255783 | GPS | JVM   | MJC   |



TYPE 102  
SAME AS TYPE 101  
EXCEPT AS SHOWN



TYPE 101

NOTES

- UNLESS OTHERWISE SPECIFIED AND/OR INDICATED: DIMENSIONS ARE TO FACE OF VIEW SHOWN AND AUTOMATICALLY ROUNDED BY COMPUTER FOR INSPECTION. (SEE MATH MODEL FOR PRECISE DIMENSIONS.) FOR ALL OTHER DIMENSIONS NOT SHOWN BUT REQUIRED FOR TOOL BUILD, SEE MATH MODEL FOR PRECISE TOOL PATH DATA.
- SEALING CODE TBD.
- MATING COMPONENTS OR EQUIVALENT:  
ASM CONNECTOR 15326085  
SECONDARY TERMINAL LOCK 15326059  
CONNECTOR POSITION ASSURANCE LOCK 15317832  
THIS CONNECTION MEETS OR EXCEEDS SAE/USCAR-2 AUGUST 1997, SECTION 5.3.1.2, TERMINAL DISENGAGE CRITERIA WITHOUT THE APPLICATION OF A TERMINAL POSITION ASSURANCE (TPA) SECONDARY LOCK.  
  
THIS CONNECTION MEETS OR EXCEEDS SAE/USCAR-2 AUGUST 1997, SECTION 5.3.1.2, TERMINAL DISENGAGE CRITERIA WITH THE APPLICATION OF A TERMINAL POSITION ASSURANCE (TPA) SECONDARY LOCK. (SEE CHART BELOW FOR APPROPRIATE TPA).
- LETTERS I, O AND Q ARE NOT USED AS CAVITY ID'S.

|  |  |                        |  |
|--|--|------------------------|--|
| DWG TYPE   |  | PART DRAWING           |  |
| STYLE  |  | DISTR CODE             |  |
| VOLUME (CM³)   |  | ROUTING                |  |
| 6900   |  | 6900                   |  |
| UNLESS OTHERWISE SPECIFIED   |  |                        |  |
| THIS DOCUMENT IS IN ACCORDANCE WITH ASME Y14.5M-1994 AS AMENDED BY THE GM GLOBAL DIMENSIONING AND TOLERANCING ADDENDUM - 1997. ALL GEOMETRIC TOLERANCES AND RELATED DATUMS APPLY RFS. RULE #1 PERFECT FORM AT MMC DOES NOT APPLY WHEN RELATIONSHIP BETWEEN FEATURES IS ESTABLISHED BY ORIENTATION OR LOCATION TOLERANCES. SEPARATE POSITION CALLOUTS MAY BE GAGED SEPARATELY, REGARDLESS OF DATUM REFERENCE. ALL DIMENSIONS ARE IN MILLIMETERS |  |                        |  |
| DIMENSIONS ENCLOSED IN ( ) INDICATE REFERENCE DIMENSIONS AND NO TOLERANCE LIMITS ARE ESTABLISHED   |  | CHART E1               |  |
| TOLERANCE UNLESS OTHERWISE SPECIFIED   |  | THIRD ANGLE PROJECTION |  |
| ANGULAR TOLERANCE ±2°  |  | DO NOT SCALE           |  |
| USE MATH DATA  |  | UNIGRAPHICS            |  |

**DELPHI**  
DELPHI PACKARD ELECTRIC SYSTEMS  
WARREN, OH

|                    |        |
|--------------------|--------|
| DR                 | DATE   |
| APVD1 ROBERT HURD  | 12N002 |
| APVD2 ROBERT HURD  | 12N002 |
| APVD3 CAT DANCISON | 18DE02 |
| APVD4              |        |
| APVD5              |        |

SUBSTANCES OF CONCERN AND RECYCLED CONTENT PER DELPHI 10949001

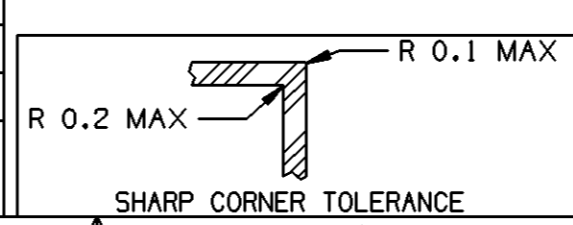
MATERIAL SEE DRAWING

DRAWING NAME  
TAXI ASM CONN 16 F GT 150 280 SLD

DRAWING NUMBER  
**15453981**

|      |       |          |          |     |     |     |
|------|-------|----------|----------|-----|-----|-----|
| SIZE | SCALE | FRAME NO | SHEET NO | STG | REV | N/P |
| A1   | 2:1   | 1 OF 1   | 1 OF 1   | R   | 05  | -   |

| 15479301 | 02  | AB  | 102      | 16   | 15445019                 | 15326058  | 15326060 | 15326059 | 15336328 |                        |
|----------|-----|-----|----------|------|--------------------------|-----------|----------|----------|----------|------------------------|
| 15445020 | 01  | AB  | OBSOLETE | 102  | 15445019                 | 15326058  | 15326060 | 15326059 | 15336328 |                        |
| 15326084 | 03  | AD  | 101      | 16   | 15326056                 | 15326058  | 15326060 | 15326059 | 15336328 |                        |
| PART NO  | REV | N/P | STATUS   | TYPE | TOTAL NUMBER OF CAVITIES | CONNECTOR | PLR      | SEAL     | TPA      | CONFIG REQ INFORMATION |



| DIMENSIONAL RANGE (MM) |       | CHART E1 |      |
|------------------------|-------|----------|------|
| FROM                   | TO    | ±        | ±    |
| > 0                    | > 20  | ±0.15    | ±0.2 |
| > 20                   | > 30  | ±0.3     | ±0.4 |
| > 30                   | > 70  | ±0.4     | ±0.5 |
| > 70                   | > 100 | ±0.5     | ±0.6 |
| > 100                  | > 150 | ±0.6     | ±0.8 |
| > 150                  | > 200 | ±1       | ±1.2 |
| > 200                  | > 250 |          |      |
| > 250                  | > 300 |          |      |
| > 300                  | > 400 |          |      |