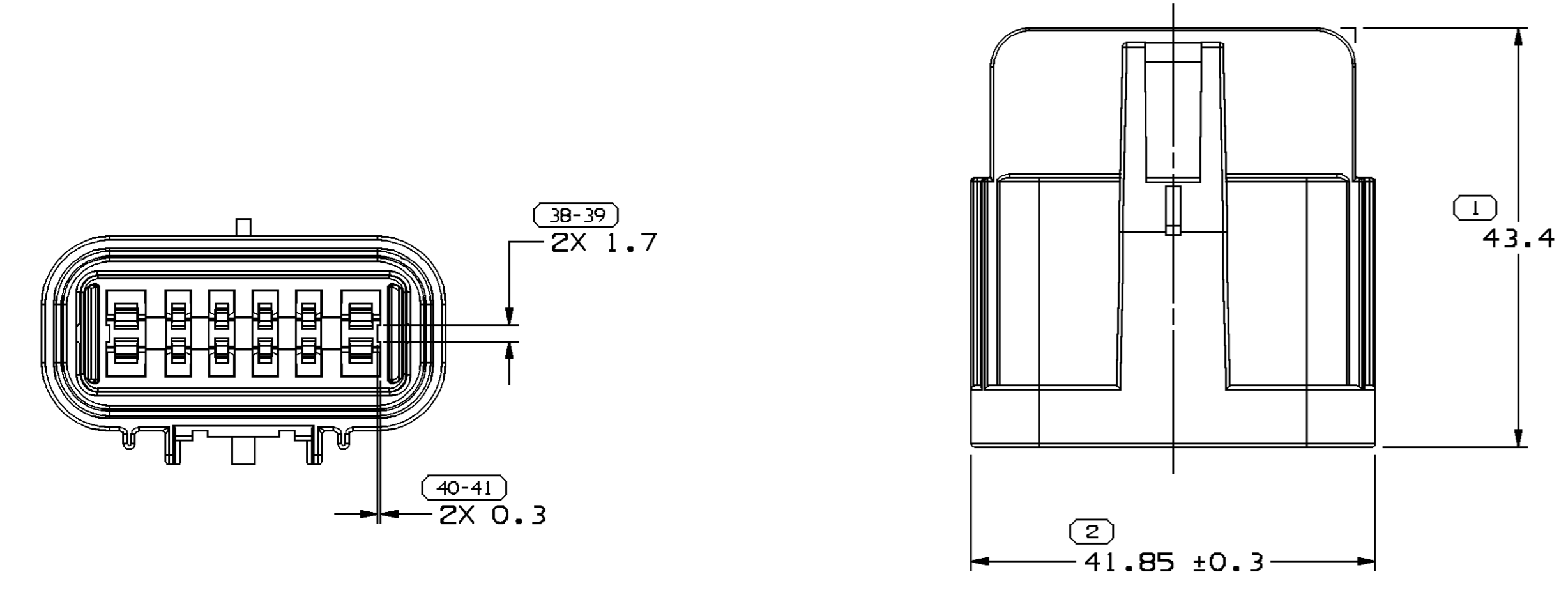
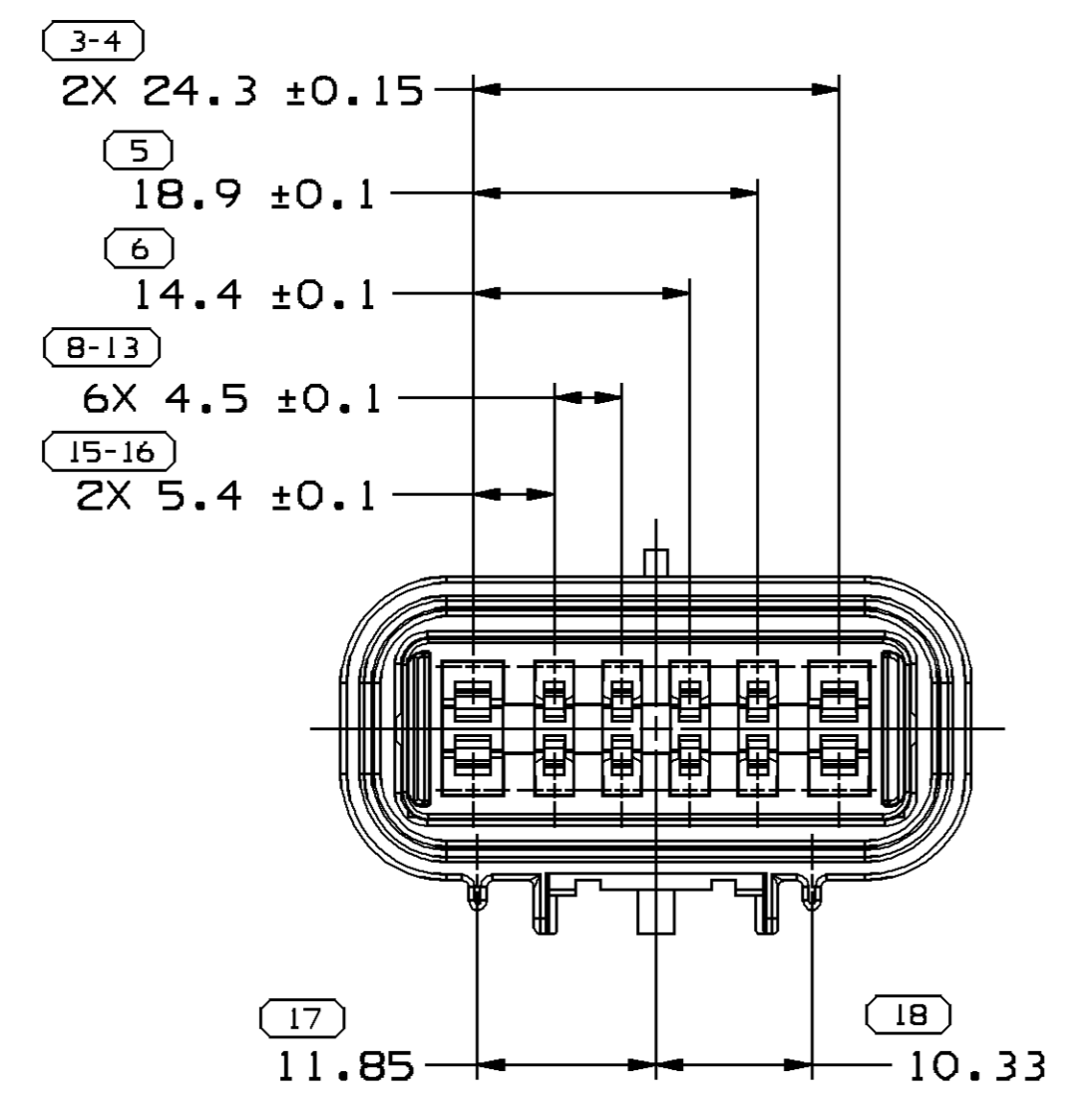


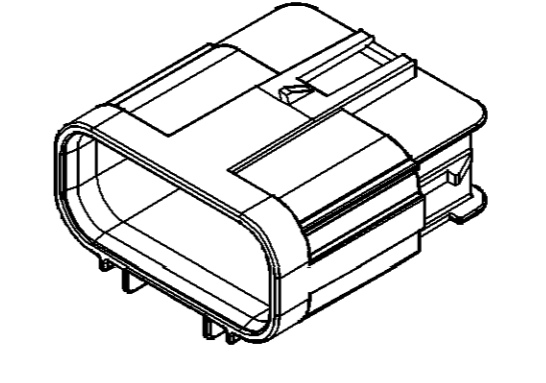
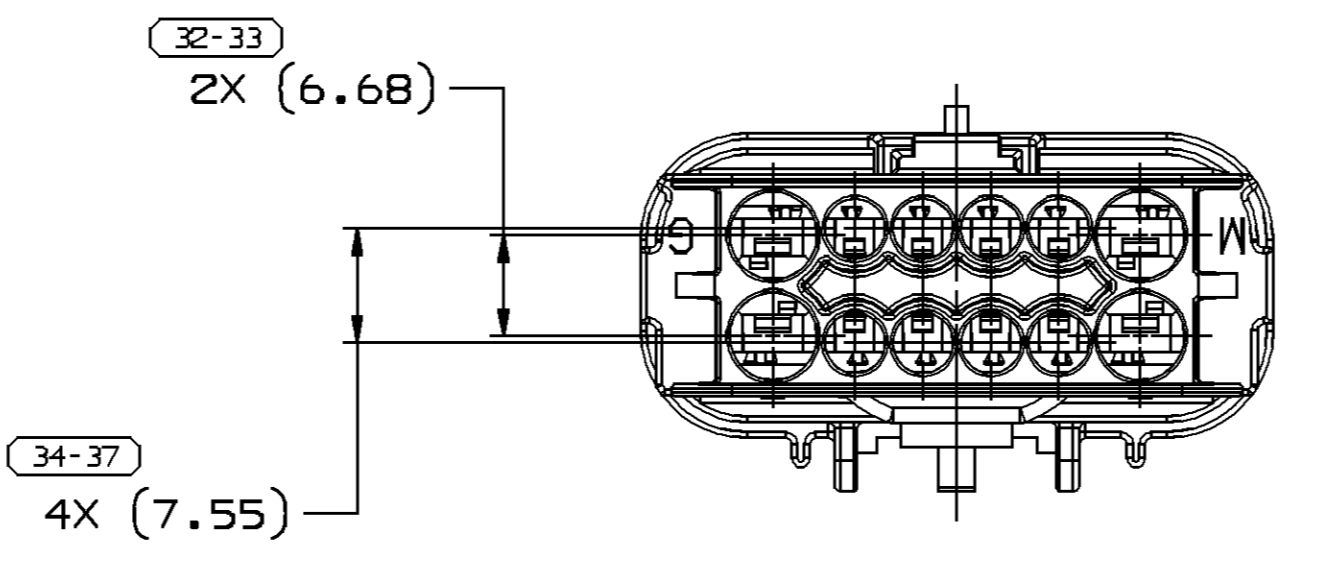
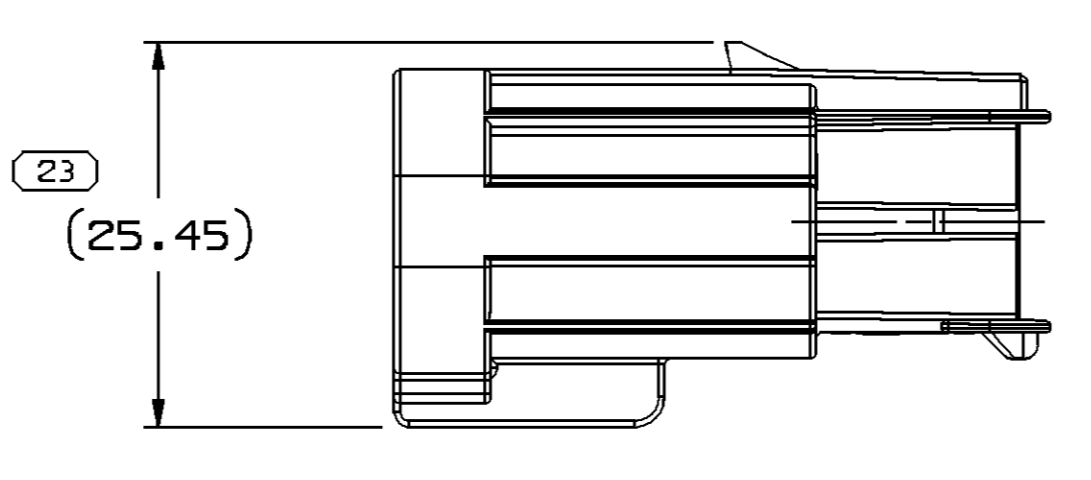
SYMBOL DEFINITION				MISSING NUMBERS		DWG STATUS		ZONE		REVISION HISTORY		AUTH		DR		AP/VD		
A DIMENSION WITHOUT AN INSPECTION REPORT SYMBOL DOES NOT REQUIRE INSPECTION. IT MAY BE CONTROLLED ON AN INDIVIDUAL COMPONENT DRAWING.				TOTAL NO. OF SYMBOLS ON DRAWING	26	7,14,		DATE	STG	REV	N/P	CHG						
				LAST NO. USED	41													
03JAO0	R	001	-	-	-	15336055	WAS	PE081940	AND	RELEASED								
						15336033	WAS	PE062715	AND	RELEASED								
						15358919	WAS	PE082253	AND	RELEASED								
						15358920	WAS	PE082254	AND	RELEASED								
						15358921	WAS	PE082255	AND	RELEASED								
						15373547	WAS	PE082234	AND	RELEASED								
						15373548	WAS	PE082235	AND	RELEASED								
						15373549	WAS	PE082236	AND	RELEASED	000005	MAC	MAC	J5				
02MY00	R	002	-	-	-	ALL PARTS - REVISED GRAPHICS					199559	AMG	GG1	MC				
13SE00	R	003	-	-	-	ALL PARTS - REVISED CHART, REMOVED #7 AND #14 DIMS, 41.85 +0.05/-0.15 WAS 41.85 +0.6/-0.3 AND REVISED DWG NAME					203321	AMG	GG1	J5				
26SE01	R	004	-	-	-	ALL PARTS - REVISED CLIP SLOT LOCATION					213666	JAA	JAA	J5				
030C01	R	005	-	-	-	ALL PARTS - REVISED GRAPHICS & CHART					215269	CJP	CJP	J5				
22JA02	R	006	-	-	-	ALL PARTS - 41.85 ±0.3 WAS 41.85 +0.05/-0.15; REVISED NOTES					219752	TSH	TSH	J5				
06MR02	R	007	-	-	-	ALL PARTS - ES000104 011AA WAS ES000104 009, MATERIAL WAS PM003571					220239	CJP	CJP	J5				
12SE02	R	08	-	-	-	15336033 - MAT'L SPEC WAS M357002					230321	TLD	TLD	J5				
110C02	R	09	-	-	-	ALL PARTS - UPDATED PDM ATTRIBUTES					230941	TLD	TLD	J5				
19ND04	R	10	-	-	-	ALL PARTS - UPDATED PDM ATTRIBUTES; ADDED NOTE 8					261479	ADK	ADK	J5				
04AP07	R	11	-	-	-	15373547 - UPDATED PDM ATTRIBUTES					401061	JTZ	JAA	PYP				



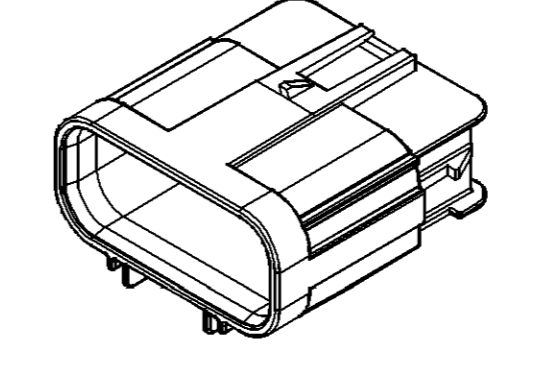
OPTIONAL/PREFERRED



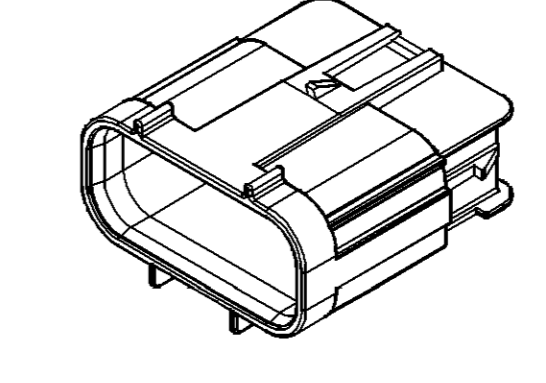
TYPE 101



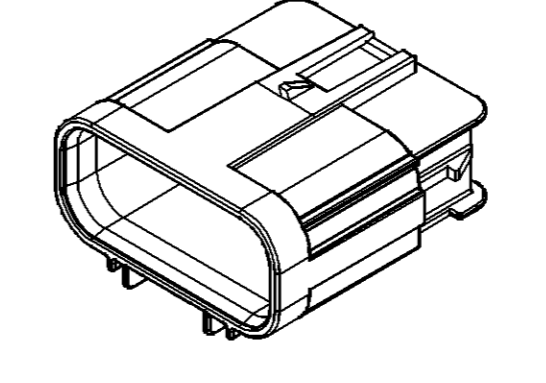
TYPE 104



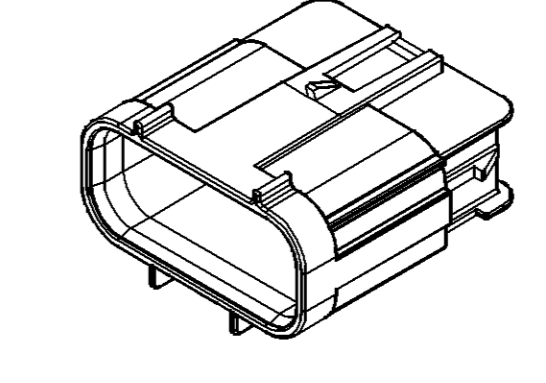
TYPE 103



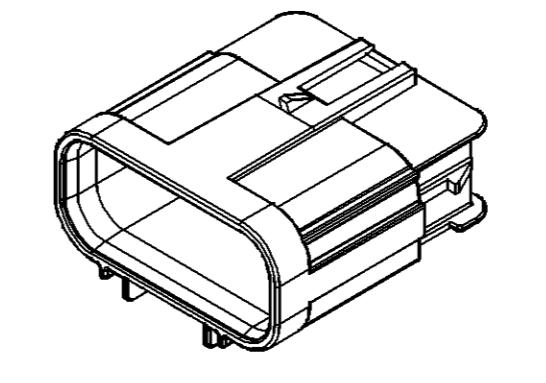
TYPE 107



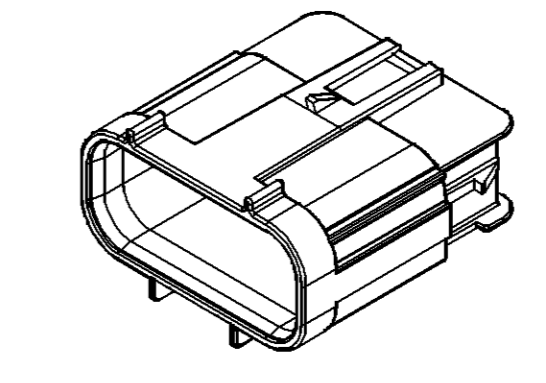
TYPE 102



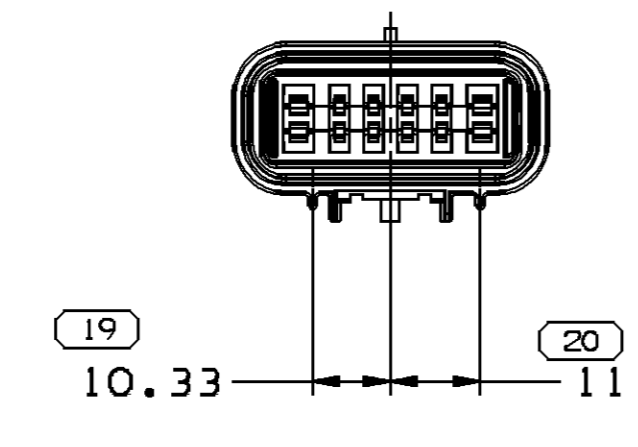
TYPE 106



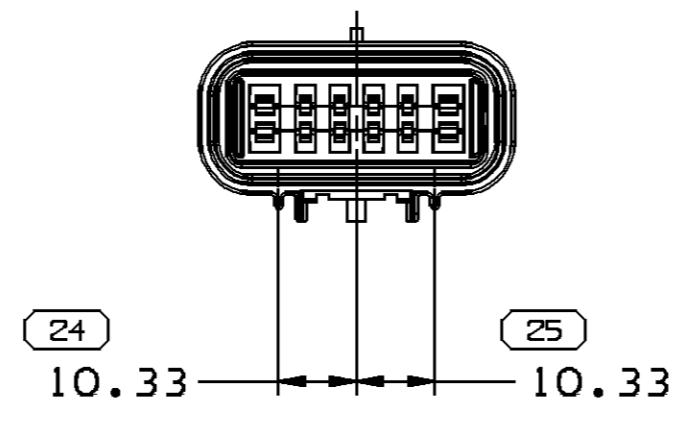
TYPE 101



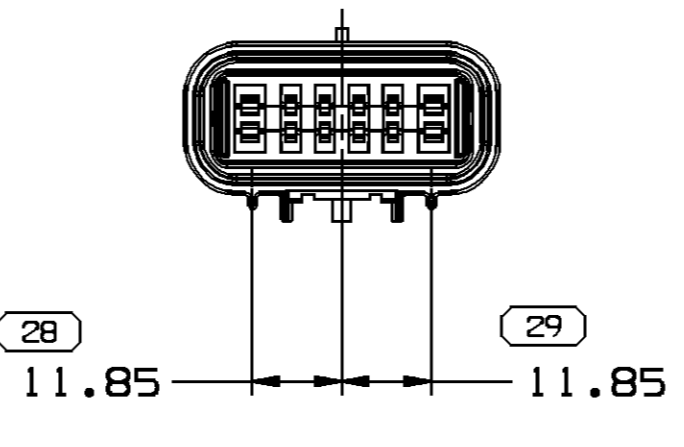
TYPE 105



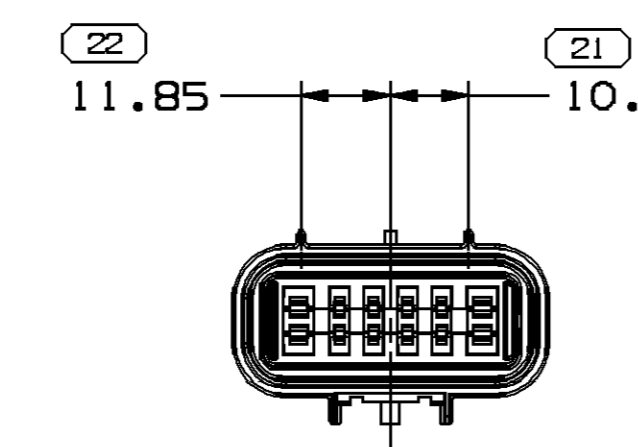
TYPE 102
SAME AS TYPE 101
EXCEPT AS SHOWN
SCALE 1:1



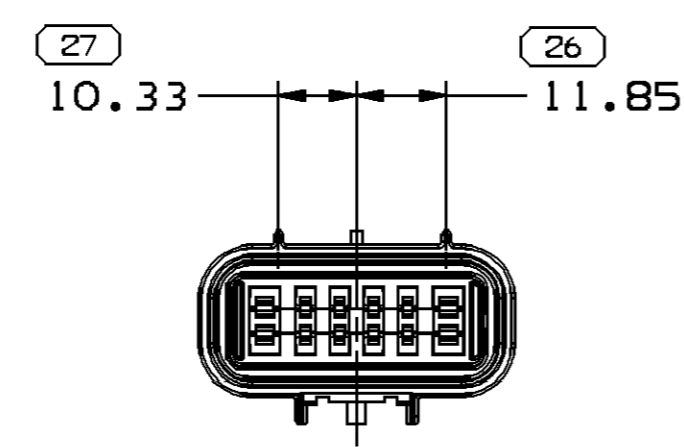
TYPE 103
SAME AS TYPE 101
EXCEPT AS SHOWN
SCALE 1:1



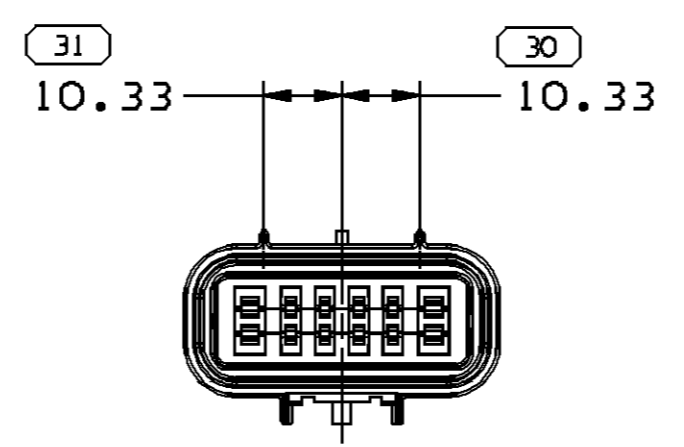
TYPE 104
SAME AS TYPE 101
EXCEPT AS SHOWN
SCALE 1:1



TYPE 105
SAME AS TYPE 101
EXCEPT AS SHOWN
SCALE 1:1



TYPE 106
SAME AS TYPE 101
EXCEPT AS SHOWN
SCALE 1:1



TYPE 107
SAME AS TYPE 101
EXCEPT AS SHOWN
SCALE 1:1

NOTES

- UNLESS OTHERWISE SPECIFIED AND/OR INDICATED:
DIMENSIONS ARE TO FACE OF VIEW SHOWN AND AUTOMATICALLY ROUNDED BY COMPUTER FOR INSPECTION (SEE MATH MODEL FOR PRECISE DIMENSIONS). FOR ALL OTHER DIMENSIONS NOT SHOWN BUT REQUIRED FOR TOOL BUILD, SEE MATH MODEL FOR PRECISE TOOL PATH DATA. LIKE CAVITIES ARE IDENTICAL.
- THIS PART ACCEPTS THE FOLLOWING TERMINALS OR EQUIVALENT:
150 CAVITIES - 15304707
280 CAVITIES - 15304732
- THIS PART ACCEPTS THE FOLLOWING CABLE SEALS OR EQUIVALENT:
150 CAVITIES - 12191227
280 CAVITIES - 12191234
- THIS PART ACCEPTS THE FOLLOWING CAVITY PLUGS OR EQUIVALENT:
150 CAVITIES - 15305171
280 CAVITIES - 15305170
- MATERIAL RECYCLING CODE >PA6-GB20 GF10< PER SAE J1344. (1.15)X(0.05) RAISED CHARACTERS AS SHOWN TO BE LOCATED ON ANY EXTERIOR SURFACE. OPTIONAL CONSTRUCTION TO BE NO MATERIAL RECYCLING CODE.
- (1.15)X(0.05) RAISED DELPHI CORPORATE BRAND TO BE LOCATED ON ANY EXTERIOR SURFACE, PREFERABLY VISIBLE AT FINAL ASSEMBLY. OPTIONAL CONSTRUCTION TO BE "PED" OR NO LOGO.
- USE 15420050 WHEN MBS IS REQUIRED.

PART NO	REV	N/P	STATUS	TYPE	MATERIAL SPECIFICATION AND COLOR	TOTAL NUMBER OF CAVITIES	CAVITY I.D. OF 150 CAVITIES	CAVITY I.D. OF 280 CAVITIES	VOLUME	MATING CONNECTOR	MATING PLR	MATING TPA	CONN & PLR ASM
15358921	003	AD		107	M3571010 PA6 (GB20 + GF10) HS- BRN	12	B,C,D,E,H,J,K,L	A, F, G, M	11.415	15373556	15336031	15359004	15358925
15358920	003	AD		106	M3571009 PA6 (GB20 + GF10) HS- PPL	12	B,C,D,E,H,J,K,L	A, F, G, M	11.159	15373555	15336031	15359004	15358924
15358919	003	AD		105	M3571007 PA6 (GB20 + GF10) HS- GRN	12	B,C,D,E,H,J,K,L	A, F, G, M	11.159	15373554	15336031	15359004	15358923
15373549	003	AD		104	M3571003 PA6 (GB20 + GF10) HS- GRA	12	B,C,D,E,H,J,K,L	A, F, G, M	11.159	15373532	15336031	15359004	15373546
15373548	003	AD		103	M3571018 PA6 (GB20 + GF10) HS- GRA DK	12	B,C,D,E,H,J,K,L	A, F, G, M	11.159	15373531	15336031	15359004	15373545
15373547	003	AE		102	M3571001 PA6 (GB20 + GF10) HS- NAT	12	B,C,D,E,H,J,K,L	A, F, G, M	11.159	15373530	15336031	15359004	15373544
15336033	003	AE		101	M3571002 PA6 (GB20 + GF10) HS- BLK	12	B,C,D,E,H,J,K,L	A, F, G, M	11.159	15326938	15336031	15359004	15336034

UNLESS OTHERWISE SPECIFIED:
DIMENSIONS IN MILLIMETERS () INDICATE DIMENSIONS IN INCHES. DIMENSIONS AND TOLERANCES ARE ESTABLISHED BY ORIENTATION OR LOCATION TOLERANCES. SEPARATE POSITION TOLERANCES MAY BE SHOWN SEPARATELY. ALL DIMENSIONS ARE IN MILLIMETERS.

PROCESS SENSITIVE DIMENSION

THIRD ANGLE PROJECTION

DO NOT SCALE

USE MATH DATA

UNIGRAPHICS

DELPHI
DELPHI PACKARD ELECTRICAL/ELECTRONIC ARCHITECTURE
MVBEN, OH

DR: M. CHRESTAY
DATE: 03JAO0

APV02: M. CHRESTAY
03JAO0

APV03: J. SVETTE
23JAO0

APV04:

APV05:

SUBSTANCES OF CONCERN AND RECYCLED CONTENT PER DELPHI 10949001

DRAWING NAME: TAXI CONN M GT 150 280 SLD

DRAWING NUMBER: 15336055

SCALE: 2:1

FRM NO: 1

SHEET NO: 1 OF 1

REV: 1

N/P: 1