

QRM-NV series

Ø8 and Ø14 mm rear panel mount •
NVIS LED indicators



DISTINCTIVE FEATURES

NVIS Green A, NVIS Green B, NVIS Yellow, NVIS Red, NVIS White
NVIS compliant to MIL Std 3009

200 mm wire for Ø 8 and 14 mm or rigid pin (1.00 mm) for Ø8 mm terminations



ENVIRONMENTAL SPECIFICATIONS

- IP67 sealing option (EN60529)
- Operating Temperature Range: -40 °C to +85 °C (-40 °F to +185 °F)
- Storage Temperature Range: 55 °C to +100 °C (-67 °F to +212 °F)



GENERAL SPECIFICATIONS

- Max Reverse Voltage: 5 V
- Viewing Angle: 60°
- Life Expectancy: 100,000 hours
- Max Panel Thickness: 3.5 mm
- Torque: Ø8 mm: 60 cNm
Ø14 mm: 75 cNm



ELECTRICAL SPECIFICATIONS

Voltage	Operating Voltage (Min to Max)	Operating Current (Typical All Types)
02 (No Resistor)	2.1 to 3.3VDC	20mA max
6VDC	5.4 to 6.6VDC	20mA
12VDC	10.8 to 13.2VDC	20mA
24VDC	21.6 to 26.4VDC	20mA
28VDC	25.2 to 30.8VDC	20mA

LED COMPONENT SPECIFICATIONS

LED Color	NVIS Radiance	NVIS Chromaticity	Dominant Wavelength	MCD Output	Forward Voltage
NW1S Green A	$NR_A \leq 1.7eE-10 @ 0.1fL$	$r \leq .037$	530nm	150mcd	3.3V
NW1S Green A	$NR_A \leq 1.7eE-10 @ 0.1fL$	$r \leq .057$	555nm	150mcd	3.3V
NW1S Yellow Class A	$5.0E-8 \leq NR_A \leq 1.5E-7 @ 15fL$	$r \leq .083$	-	150mcd	3.3V
NW1S Yellow Class B	$4.7E-8 \leq NR_B \leq 1.47E-7 @ 15fL$	$r \leq 0.83$	585nm	150mcd	3.3V
NW1S Red	$4.7E-8 \leq NR_B \leq 1.4E-7 @ 15 fL$	$r \leq .060$	605nm	110mcd	2.1V
NW1S White	$NR_A \leq 1.0E-9 @ 0.1fL$	$r \leq .40$	(x).33 (y).33	150mcd	3.3V

The company reserves the right to change specifications without notice.

LED characteristics are dependent upon environmental conditions. Therefore published data should be considered nominal and subject to variations.



QRM-NV series

Ø8 and Ø14 mm rear panel mount • NVIS LED indicators

ELECTRICAL SPECIFICATIONS (CONTINUED)

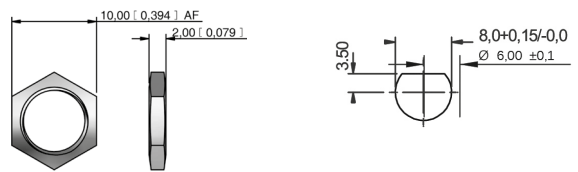
- The operating voltage must not be exceeded by more than 10% as this will result in reduced life expectancy
- Luminous intensity is measured at 20 mA on a discrete led unless otherwise stated.
- Luminous intensities and color shades of white LEDs may vary within a batch.
- Luminous intensity will be reduced with lower operating current.

MATERIALS

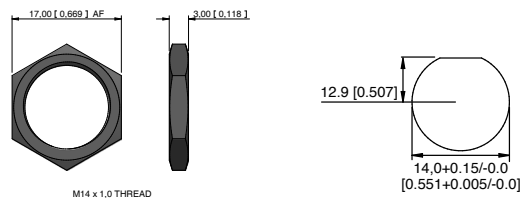
- Body: Black chrome plated brass
- Lock Washer: Spring steel
- Nut: Black chrome plated brass
- Terminal Seal: Epoxy
- Panel Seal: Nitrile O-ring
- Wires: **Ø8 mm:** 24 AWG - Approved to UL1213
Ø14 mm: 22A WG - Approved to UL1007

MOUNTING

Ø8 MM



Ø14 MM



QRM-NV series

Ø8 and Ø14 mm rear panel mount • NVIS LED indicators



BUILD YOUR PART NUMBER

<p>QRM-NV</p> <p>.....</p> <p>SERIES</p>	<p>.....</p> <p>MOUNTING HOLE</p> <table border="0"> <tr> <td style="background-color: #cccccc; padding: 2px;">8</td> <td>Ø8 mm</td> </tr> <tr> <td style="background-color: #cccccc; padding: 2px;">14</td> <td>Ø14 mm</td> </tr> </table>	8	Ø8 mm	14	Ø14 mm	<p>.....</p> <p>TERMINALS</p> <table border="0"> <tr> <td style="background-color: #cccccc; padding: 2px;">4</td> <td>Ridgid Pins (only with Ø8 mm)</td> </tr> <tr> <td style="background-color: #cccccc; padding: 2px;">5</td> <td>Wires</td> </tr> </table>	4	Ridgid Pins (only with Ø8 mm)	5	Wires	<p>.....</p> <p>BEZEL FINISH</p> <table border="0"> <tr> <td style="background-color: #cccccc; padding: 2px;">B</td> <td>Black Chrome</td> </tr> </table>	B	Black Chrome																						
8	Ø8 mm																																		
14	Ø14 mm																																		
4	Ridgid Pins (only with Ø8 mm)																																		
5	Wires																																		
B	Black Chrome																																		
<p>.....</p> <p>TYPE OF ILLUMINATION</p> <table border="0"> <tr> <td style="background-color: #cccccc; padding: 2px;">XX</td> <td>Fixed Light</td> </tr> </table>	XX	Fixed Light	<p>.....</p> <p>LED COLOR</p> <table border="0"> <tr> <td style="background-color: #cccccc; padding: 2px;">NV-GRA</td> <td>NVIS Green A</td> </tr> <tr> <td style="background-color: #cccccc; padding: 2px;">NV-GRB</td> <td>NVIS Green B</td> </tr> <tr> <td style="background-color: #cccccc; padding: 2px;">NV-YWA</td> <td>NVIS Yellow A</td> </tr> <tr> <td style="background-color: #cccccc; padding: 2px;">NV-YWB</td> <td>NVIS Yellow B</td> </tr> <tr> <td style="background-color: #cccccc; padding: 2px;">NV-RD</td> <td>NVIS Red</td> </tr> <tr> <td style="background-color: #cccccc; padding: 2px;">NV-WH</td> <td>NVIS White</td> </tr> </table>	NV-GRA	NVIS Green A	NV-GRB	NVIS Green B	NV-YWA	NVIS Yellow A	NV-YWB	NVIS Yellow B	NV-RD	NVIS Red	NV-WH	NVIS White	<p>.....</p> <p>VOLTAGE</p> <table border="0"> <tr> <td style="background-color: #cccccc; padding: 2px;">02</td> <td>no resistor*</td> </tr> <tr> <td style="background-color: #cccccc; padding: 2px;">06</td> <td>6 VDC</td> </tr> <tr> <td style="background-color: #cccccc; padding: 2px;">12</td> <td>12 VDC</td> </tr> <tr> <td style="background-color: #cccccc; padding: 2px;">12A</td> <td>12 VAC/DC</td> </tr> <tr> <td style="background-color: #cccccc; padding: 2px;">24</td> <td>24 VDC</td> </tr> <tr> <td style="background-color: #cccccc; padding: 2px;">24A</td> <td>24 VAC/DC</td> </tr> <tr> <td style="background-color: #cccccc; padding: 2px;">28</td> <td>28 VDC</td> </tr> <tr> <td style="background-color: #cccccc; padding: 2px;">28A</td> <td>28 VAC/DC</td> </tr> </table> <p><small>* please refer to the forward voltage in electrical specifications</small></p>	02	no resistor*	06	6 VDC	12	12 VDC	12A	12 VAC/DC	24	24 VDC	24A	24 VAC/DC	28	28 VDC	28A	28 VAC/DC	<p>.....</p> <p>SEALING</p> <table border="0"> <tr> <td style="background-color: #cccccc; padding: 2px;">E</td> <td>IP67 (Standard)</td> </tr> </table>	E	IP67 (Standard)
XX	Fixed Light																																		
NV-GRA	NVIS Green A																																		
NV-GRB	NVIS Green B																																		
NV-YWA	NVIS Yellow A																																		
NV-YWB	NVIS Yellow B																																		
NV-RD	NVIS Red																																		
NV-WH	NVIS White																																		
02	no resistor*																																		
06	6 VDC																																		
12	12 VDC																																		
12A	12 VAC/DC																																		
24	24 VDC																																		
24A	24 VAC/DC																																		
28	28 VDC																																		
28A	28 VAC/DC																																		
E	IP67 (Standard)																																		



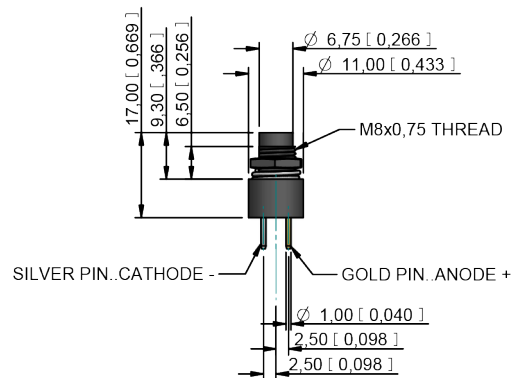
ABOUT THIS SERIES

- ⚠ **Notice:** please note that not all combinations of above numbers are available.
- Standard wire length is 200 mm, 24 AWG UL1061, red wire denotes Anode (+), black wire denotes Cathode (-) for other wire lengths consult APEM.
 - For LEDs with alternate voltages and multi-voltage options consult APEM.
 - Take care when soldering (recommended solder temperature 270°C - 2 sec).
 - Suitable for the toughest environment and compliant to MIL standard specification

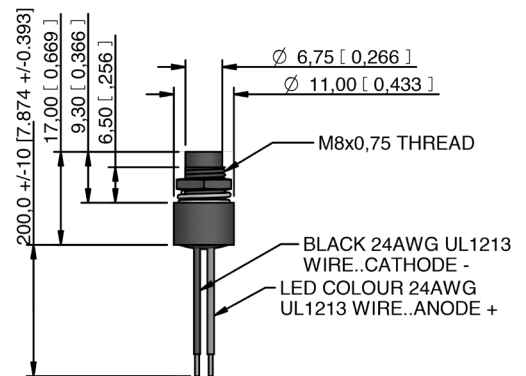
QRM-NV series

Ø8 and Ø14 mm rear panel mount •
NVIS LED indicators

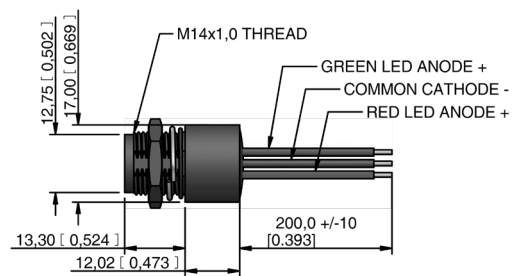
Ø8 MM REAR MOUNT - PINS TERMINALS



Ø8 MM REAR MOUNT - WIRES TERMINALS



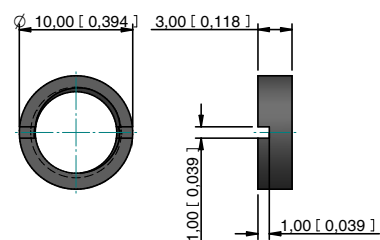
Ø14 MM REAR MOUNT - WIRES TERMINALS



HARDWARE - CYLINDRICAL DRESS NUTS - FOR Ø8 MM ONLY



P/N : AUK0001



QRM-NV series

Ø8 and Ø14 mm rear panel mount •
NVIS LED indicators

HARDWARE - KNURLED DRESS NUTS
- FOR Ø8 MM ONLY



P/N : AUK0002

