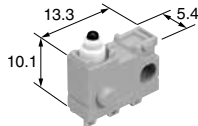


### Long Stroke and Sliding Contact Construction Sealed Switches

### Turquoise Stroke Switches



(Unit: mm)

RoHS compliant

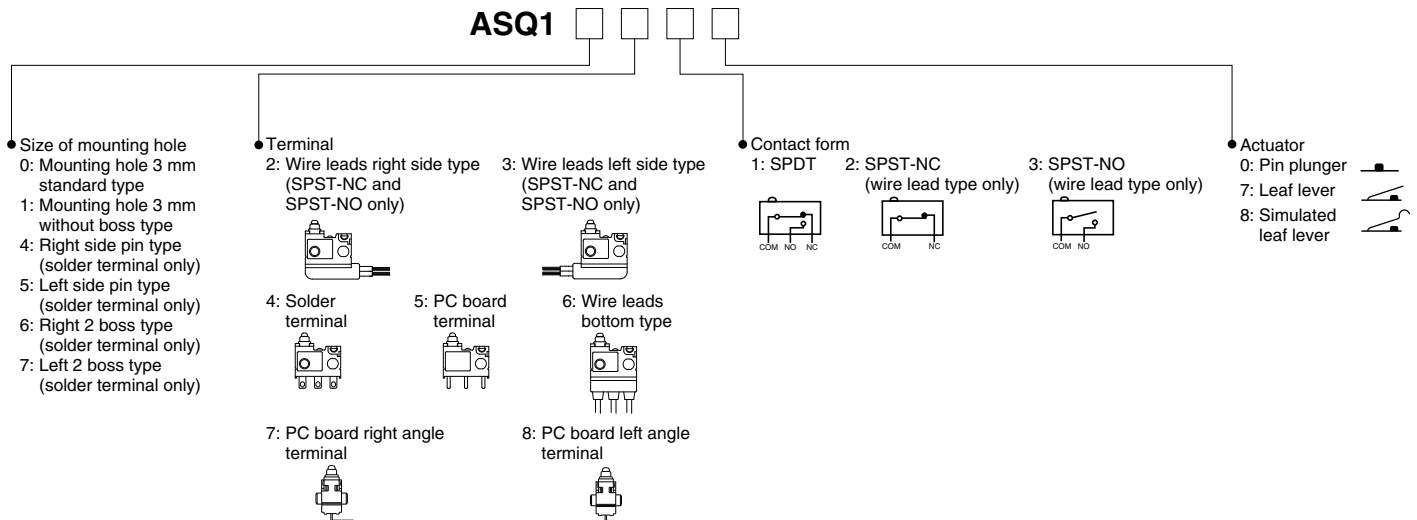
### FEATURES

- For pin plunger type, it maintains a long stroke OT (Over Travel) with over 2.2 mm on the NO side and over 2.5 mm on the NC side.
- Since contact force does not depend on the operation stroke, the range of possible use over the entire stroke is greatly increased.
- High contact reliability to support low level switching loads
- Highly effective sealing for resistance against adverse environments
- Silent operation with sliding contact

### TYPICAL APPLICATIONS

- Automobiles (detection of door opening and closing and shift lever position, etc.)
- Household appliances (vacuum cleaners, air conditioners, washing machines, etc.)

### ORDERING INFORMATION



Note: Not every combination is available. Please refer to the following table, "PRODUCT TYPES".

### PRODUCT TYPES

#### Terminal type (Mounting hole 3mm standard type/Mounting hole 3mm without boss type/2 boss type/Side pin type)

| Actuator             | Operating Force OF (Max.) | Mounting hole 3mm standard type |                         |                        | Mounting hole 3mm without boss type | Right 2 boss type | Left 2 boss type | Right side pin type | Left side pin type |
|----------------------|---------------------------|---------------------------------|-------------------------|------------------------|-------------------------------------|-------------------|------------------|---------------------|--------------------|
|                      |                           | Solder terminal                 | PC right angle terminal | PC left angle terminal |                                     |                   |                  |                     |                    |
| Pin plunger          | 1.5N                      | ASQ10410                        | ASQ10710                | ASQ10810               | ASQ11510                            | ASQ16410          | ASQ17410         | ASQ14410            | ASQ15410           |
| Leaf lever           | 1.7N                      | ASQ10417                        | ASQ10717                | ASQ10817               | ASQ11517                            | ASQ16417          | ASQ17417         | ASQ14417            | ASQ15417           |
| Simulated leaf lever | 1.5N                      | ASQ10418                        | ASQ10718                | ASQ10818               | ASQ11518                            | ASQ16418          | ASQ17418         | ASQ14418            | ASQ15418           |

# Turquoise Stroke Switches (ASQ1)

## ■ Wire leads bottom type (Mounting hole 3mm standard type)

| Actuator             | Operating Force OF (Max.) | Wire leads bottom type (Mounting hole 3mm standard type) |          |          |
|----------------------|---------------------------|--|----------|----------|
|                      |                           | SPDT   | SPST-NC  | SPST-NO  |
| Pin plunger          | 1.5N                      | ASQ10610   | ASQ10620 | ASQ10630 |
| Leaf lever           | 1.7N                      | ASQ10617   | ASQ10627 | ASQ10637 |
| Simulated leaf lever | 1.5N                      | ASQ10618   | ASQ10628 | ASQ10638 |

## ■ Wire leads side type (Mounting hole 3mm standard type)

| Actuator             | Operating Force OF (Max.) | Wire leads right side type<br>(Mounting hole 3mm standard type) |          | Wire leads left side type<br>(Mounting hole 3mm standard type) |          |
|----------------------|---------------------------|---|----------|--|----------|
|                      |                           | SPST-NC   | SPST-NO  | SPST-NC  | SPST-NO  |
| Pin plunger          | 1.5N                      | ASQ10220  | ASQ10230 | ASQ10320   | ASQ10330 |
| Leaf lever           | 1.7N                      | ASQ10227  | ASQ10237 | ASQ10327   | ASQ10337 |
| Simulated leaf lever | 1.5N                      | ASQ10228  | ASQ10238 | ASQ10328   | ASQ10338 |

## SPECIFICATIONS

### ■ Contact rating

1 mA 5 V DC to 100 mA 30 V DC

Note: Please consult us regarding 42 V DC rating.

### ■ Operation environment and conditions

| Item                            | Specifications                              |
|---------------------------------|---|
| Ambient and storage temperature | -40°C to +85°C (no freezing and condensing) |
| Allowable operating speed       | 30 to 500 mm/sec.                           |
| Max. operating cycle rate       | 120 cpm                                     |

Note: When switching at low and high speeds or under vibration, or in high-temperature, high-humidity environments, life and performance may be reduced significantly depending on the load capacity. Please consult us.

### ■ Electrical characteristics

|                                 |  |
|---------------------------------|--|
| Dielectric strength (Initial)   | Between non-continuous terminals: 600 Vrms, Between each terminal and other exposed metal parts: 1,500 Vrms, Between each terminal and ground: 1,500 Vrms (at detection current of 1 mA) |
| Insulation resistance (Initial) | Min. 100 MΩ (at 500 V DC insulation resistance meter) (Locations measured same as dielectric strength.)  |
| Contact resistance (Initial)    | Max. 1 Ω (by voltage drop 0.1 A 6 to 8 V DC)   |

### ■ Characteristics

| Item  |                                 | Specifications   |  |
|---|---------------------------------|--|--|
| Electrical switching life                               | 5 V DC 1 mA (Resistive load)    | Min. $5 \times 10^5$ <sup>Note 1)</sup>  | Switching frequency: 20 times/min.<br>Conduction ratio: 1:1<br>Pushbutton operation speed: 100 mm/s<br>Pushbutton switching position: free position (FP) to operation limit position (TTP) |
|   | 16 V DC 50 mA (Resistive load)  | Min. $5 \times 10^5$ <sup>Note 2)</sup>  |  |
|   | 30 V DC 100 mA (Resistive load) | Min. $2 \times 10^5$ <sup>Note 2)</sup>  |  |
| Vibration resistance (malfunction vibration resistance) |                                 | Single amplitude: 0.75 mm<br>Amplitude of vibration: 10 to 55 Hz (4 minutes cycle)<br>Direction and time: 30 minutes each in X, Y and Z directions |  |
| Shock resistance (malfunction shock resistance)         |                                 | Shock value: 980 m/s <sup>2</sup><br>Direction and time: 5 times each in X, Y and Z directions   |  |
| Vibration resistance endurance                          |                                 | Frequency of vibration: 33.3 Hz, Acceleration: 43.1 m/s <sup>2</sup><br>Direction and time: 8 hours each in X, Y and Z directions                  |  |
| Terminal strength                                       |                                 | 6 N min. (each direction) *Terminal deformation possible.  |  |
| Heat resistance   |                                 | 85°C 500 hours   |  |
| Cold resistance   |                                 | -40°C 500 hours  |  |
| Humidity resistance                                     |                                 | 40°C 95% RH 500 hours  |  |
| Thermal shock resistance                                |                                 | 30 min. at 85°C to 30 min at -40°C for 1,000 cycles  |  |
| Unit weight   |                                 | Approx. 0.8 g (terminal type), Approx. 5.4 g (wire leads side type)  |  |
| Protection grade  |                                 | IP67 (except exposed terminal part of terminal type)   |  |

Note: As long as there are no particular designations, the following conditions apply to the test environment.

- Ambient temperature: 5 to 35°C
- Relative humidity: 25 to 85% RH
- Air pressure: 86 to 106 kPa

Note 1: Switching life for single switching (COM-NC or COM-NO connection) and double switching (COM-NC and COM-NO connection).

Note 2: Switching life is for single switching life. For double switching it is greater than 100,000 times.

## ■ Protection grade

- 1) JIS C0920 (water-resistance experiments for electrical machines and protection rating against incursion of solid substances): Immersion protected (Note 1)
- 2) IEC 60529 (rating for outer shell protection): IP67 (Immersion protected) (Note 1)

- 3) JIS D0203 (method for testing moisture resistance and water resistance in automotive components): Equivalent of D2 (Note 2)

Note 1) A concrete testing method is to check for any adverse effect on the structure after leaving it submerged for 30 minutes under 1 m of water (with temperature difference between water and switch no larger than 5°C).

Note 2) A concrete testing method is to check for any adverse effect on the structure after leaving it submerged for 10 minutes under 10 cm water (with temperature difference between water and switch no larger than 30°C).

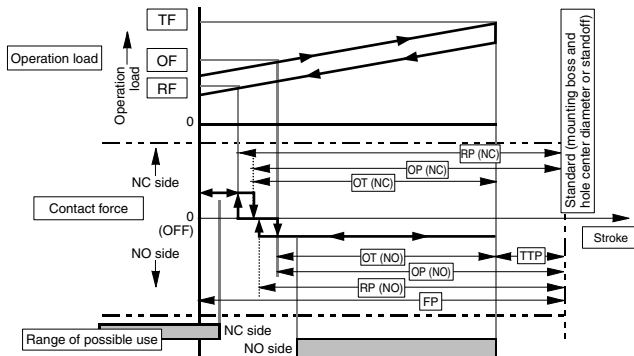
## ■ Operating characteristics

| Characteristics                                  |   | Unit | Pin plunger | Leaf lever | Simulated leaf lever |
|--|---|------|-------------|------------|----------------------|
| Operating Force (max. OF) *Note 2                |   | N    | 1.5         | 1.7        | 1.5                  |
| Total travel Force (max. TF) (reference value)   |   | N    | (2.0)       | (3.1)      | (2.8)                |
| Free Position (max. FP)                          | From mounting boss and hole center line | mm   | 9.2         | 11.5       | 14.4                 |
|  | From standoff                           |      | 13.4        | 15.7       | 18.6                 |
| Operating Position on NC side<br>OP (NC) *Note 3 | From mounting boss and hole center line | mm   | 8.7±0.3     | 9.8±0.5    | 12.5±0.5             |
|  | From standoff                           |      | 12.9±0.3    | 14.0±0.5   | 16.7±0.5             |
| Operating Position on NO side<br>OP (NO) *Note 4 | From mounting boss and hole center line | mm   | 8.4±0.3     | 9.3±0.5    | 12.0±0.5             |
|  | From standoff                           |      | 12.6±0.3    | 13.5±0.5   | 16.2±0.5             |
| Release Position on NC side<br>RP (NC) *Note 5   | From mounting boss and hole center line | mm   | 8.8±0.3     | 10.1±0.5   | 12.9±0.5             |
|  | From standoff                           |      | 13.0±0.3    | 14.3±0.5   | 17.1±0.5             |
| Release Position on NO side<br>RP (NO) *Note 6   | From mounting boss and hole center line | mm   | 8.5±0.3     | 9.6±0.5    | 12.4±0.5             |
|  | From standoff                           |      | 12.7±0.3    | 13.8±0.5   | 16.6±0.5             |
| Over travel on NC side (min. OT (NC))            |   | mm   | 2.5         | 3.1        | 3.3                  |
| Over travel on NO side (min. OT (NO))            |   | mm   | 2.2         | 2.6        | 2.8                  |
| Total Travel Position (TTP)<br>(reference value) | From mounting boss and hole center line | mm   | (5.9)       | (6.2)      | (8.7)                |
|  | From standoff                           |      | (10.1)      | (10.4)     | (12.9)               |

- Notes: 1. The above indicates the characteristics when operating the pushbutton from the vertical direction.
2. Indicates operation load for NO contact to achieve ON status.
3. Indicates position for NC contact to achieve OFF status.
4. Indicates position for NO contact to achieve ON status.
5. Indicates position for NC contact to achieve ON status.
6. Indicates position for NO contact to achieve OFF status.

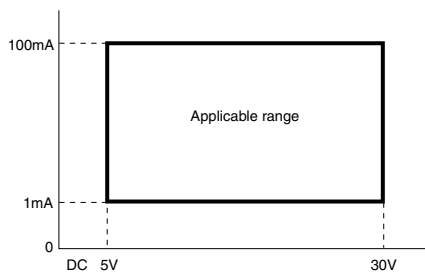
## OPERATION CONCEPT DIAGRAM

Contact form: SPDT



## DATA

Applicable current range (Reference)



# Turquoise Stroke Switches (ASQ1)

## DIMENSIONS

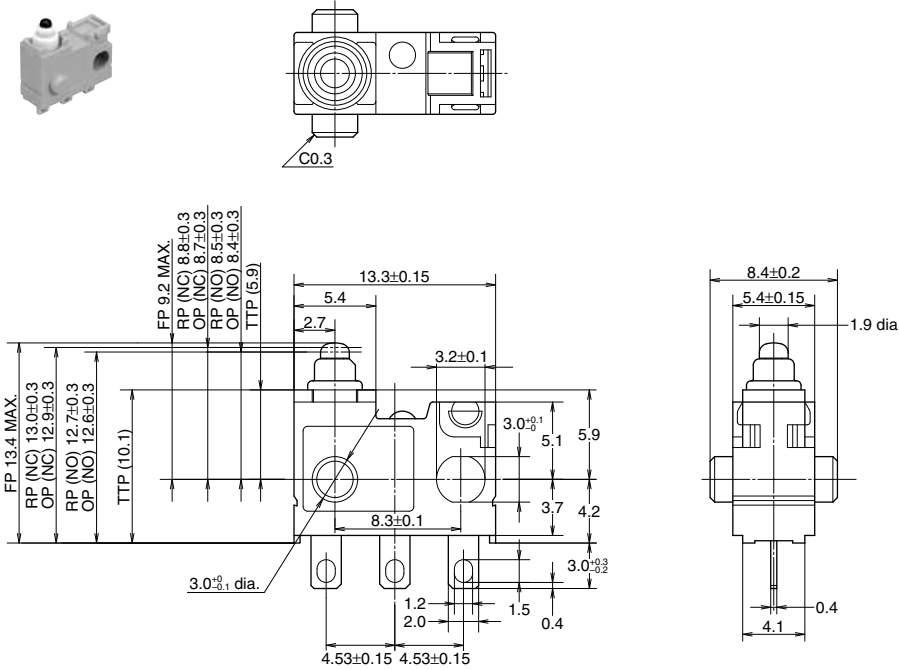
(Unit: mm) General tolerance:  $\pm 0.25$

The CAD data of the products with a **CAD Data** mark can be downloaded from: <http://industrial.panasonic.com/ac/e/>

### Terminal type: Mounting hole 3 mm, standard type Pin plunger

#### CAD Data

#### External dimensions

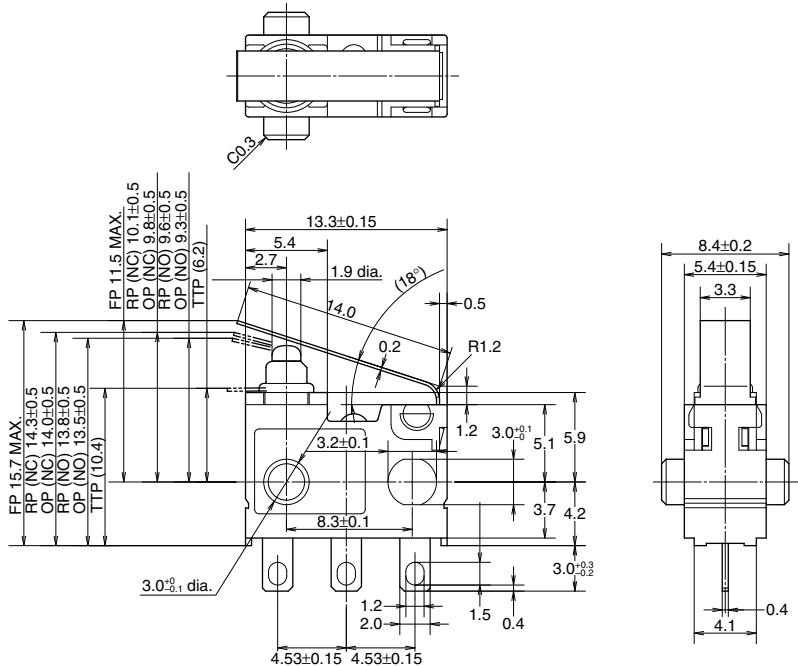


|                                       |   |            |
|---------------------------------------|---|------------|
| Operating Force (max. OF)             |   | 1.5N       |
| Free Position (max. FP)               | From mounting boss and hole center line | 9.2mm      |
|                                       | From standoff                           | 13.4mm     |
| Operating Position on NC side OP (NC) | From mounting boss and hole center line | 8.7±0.3mm  |
|                                       | From standoff                           | 12.9±0.3mm |
| Operating Position on NO side OP (NO) | From mounting boss and hole center line | 8.4±0.3mm  |
|                                       | From standoff                           | 12.6±0.3mm |
| Release Position on NC side RP (NC)   | From mounting boss and hole center line | 8.8±0.3mm  |
|                                       | From standoff                           | 13.0±0.3mm |
| Release Position on NO side RP (NO)   | From mounting boss and hole center line | 8.5±0.3mm  |
|                                       | From standoff                           | 12.7±0.3mm |
| Over travel on NC side (min. OT (NC)) |   | 2.5mm      |
| Over travel on NO side (min. OT (NO)) |   | 2.2mm      |

### Terminal type: Leaf lever

#### CAD Data

#### External dimensions



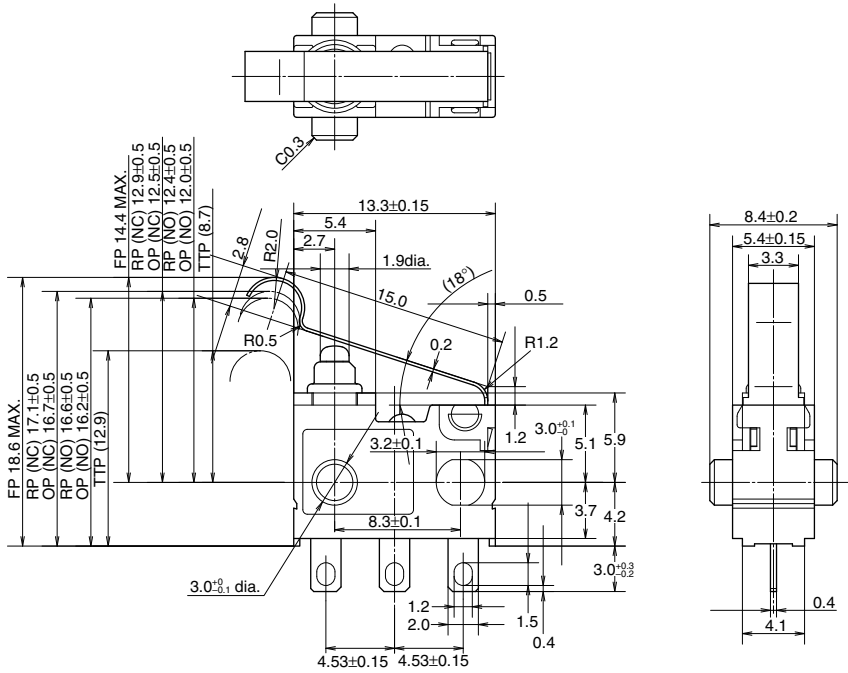
|                                       |   |            |
|---------------------------------------|---|------------|
| Operating Force (max. OF)             |   | 1.7N       |
| Free Position (max. FP)               | From mounting boss and hole center line | 11.5mm     |
|                                       | From standoff                           | 15.7mm     |
| Operating Position on NC side OP (NC) | From mounting boss and hole center line | 9.8±0.5mm  |
|                                       | From standoff                           | 14.0±0.5mm |
| Operating Position on NO side OP (NO) | From mounting boss and hole center line | 9.3±0.5mm  |
|                                       | From standoff                           | 13.5±0.5mm |
| Release Position on NC side RP (NC)   | From mounting boss and hole center line | 10.1±0.5mm |
|                                       | From standoff                           | 14.3±0.5mm |
| Release Position on NO side RP (NO)   | From mounting boss and hole center line | 9.6±0.5mm  |
|                                       | From standoff                           | 13.8±0.5mm |
| Over travel on NC side (min. OT (NC)) |   | 3.1mm      |
| Over travel on NO side (min. OT (NO)) |   | 2.6mm      |

Note: When switching at high speed or under shock, lever endurance may drop. Therefore, please be sure to conduct an endurance evaluation under actual switching conditions.

## Terminal type: Simulated leaf lever

### CAD Data

#### External dimensions

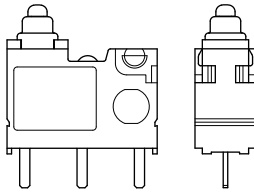


|                                       |   |            |
|---------------------------------------|---|------------|
| Operating Force (max. OF)             |   | 1.5N       |
| Free Position (max. FP)               | From mounting boss and hole center line | 14.4mm     |
|                                       | From standoff                           | 18.6mm     |
| Operating Position on NC side OP (NC) | From mounting boss and hole center line | 12.5±0.5mm |
|                                       | From standoff                           | 16.7±0.5mm |
| Operating Position on NO side OP (NO) | From mounting boss and hole center line | 12.0±0.5mm |
|                                       | From standoff                           | 16.2±0.5mm |
| Release Position on NC side RP (NC)   | From mounting boss and hole center line | 12.9±0.5mm |
|                                       | From standoff                           | 17.1±0.5mm |
| Release Position on NO side RP (NO)   | From mounting boss and hole center line | 12.4±0.5mm |
|                                       | From standoff                           | 16.6±0.5mm |
| Over travel on NC side (min. OT (NC)) |   | 3.3mm      |
| Over travel on NO side (min. OT (NO)) |   | 2.8mm      |

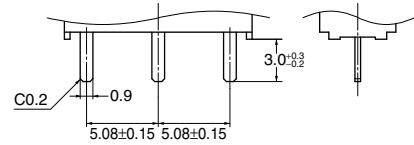
Note: When switching at high speed or under shock, lever endurance may drop. Therefore, please be sure to conduct an endurance evaluation under actual switching conditions.

## PC board terminal: Mounting hole 3 mm without boss type

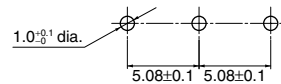
### CAD Data



#### PC board terminal



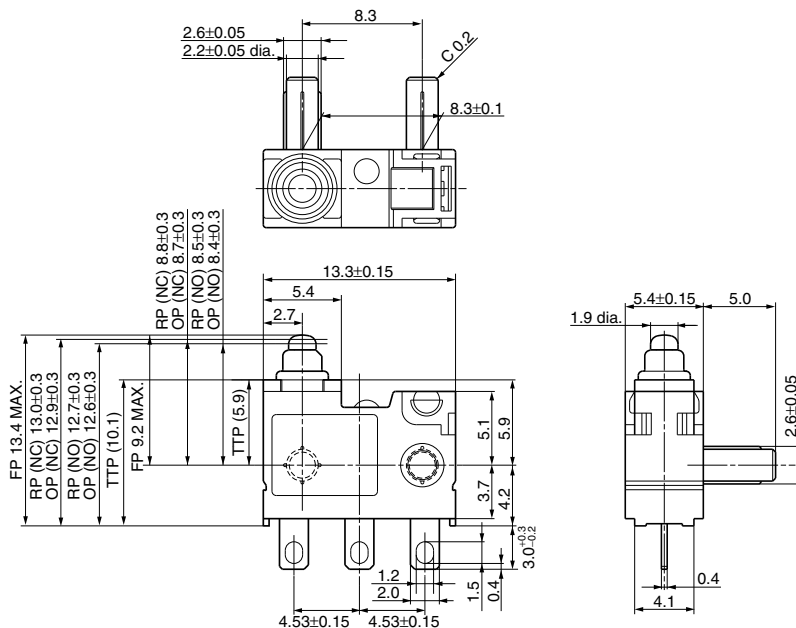
#### PC board pattern



## Terminal type: Right side pin type

### CAD Data

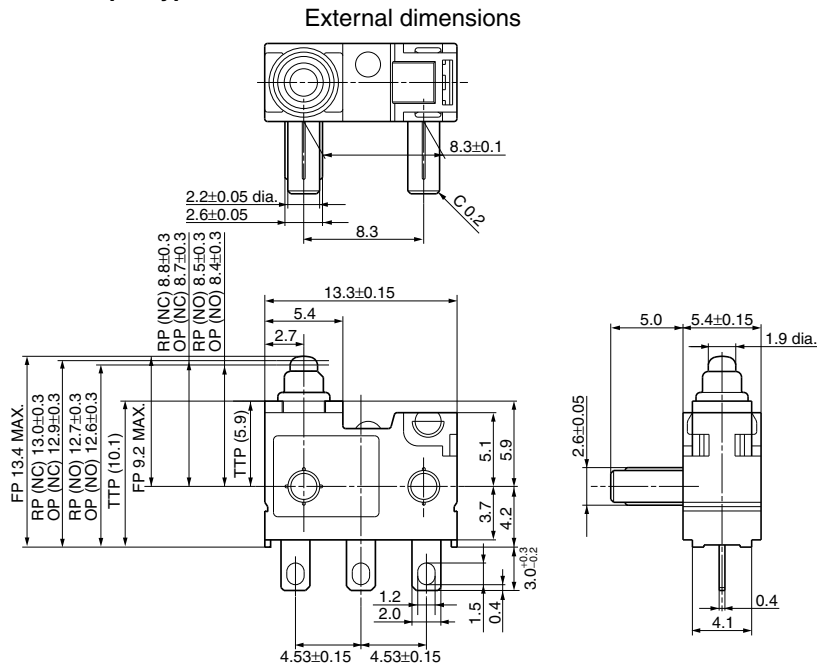
#### External dimensions



# Turquoise Stroke Switches (ASQ1)

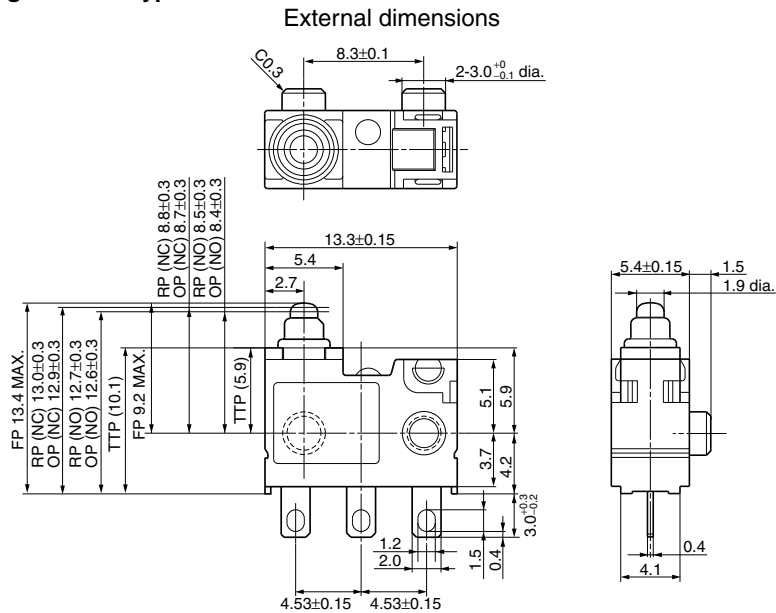
## Terminal type: Left side pin type

### CAD Data



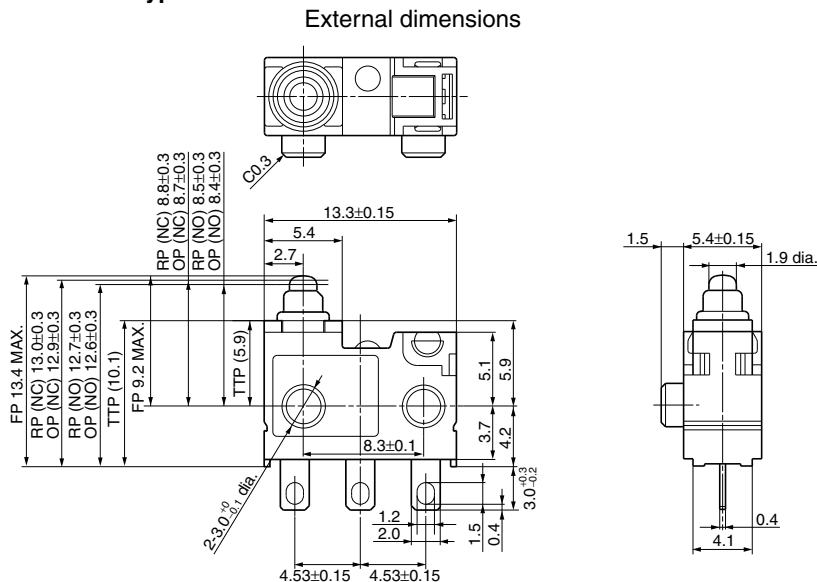
## Terminal type: Right 2 boss type

### CAD Data



## Terminal type: Left 2 boss type

### CAD Data



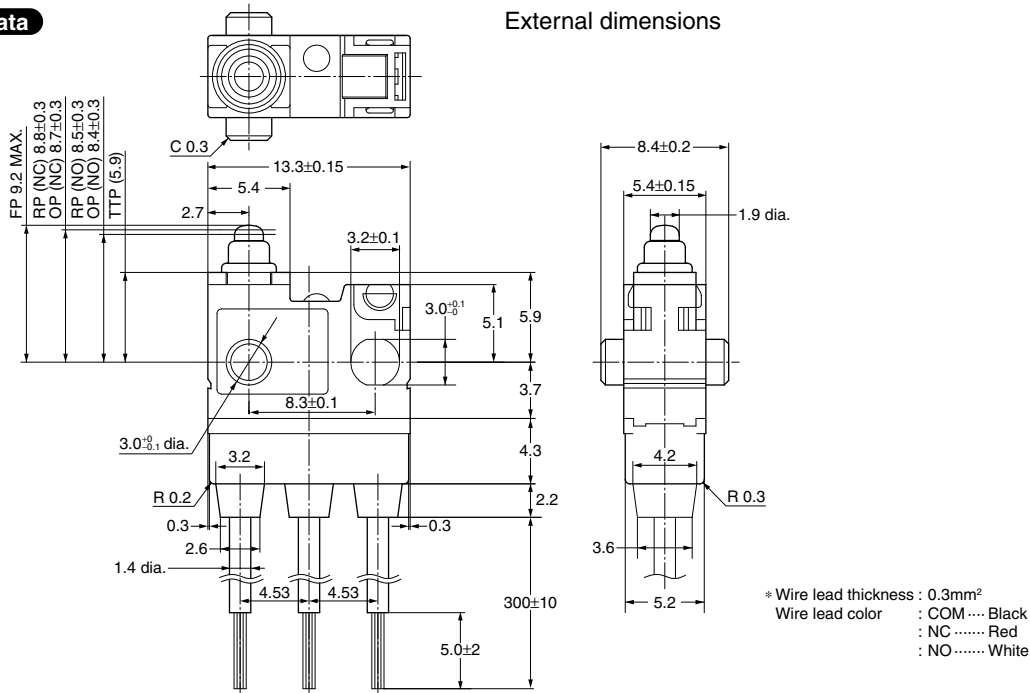


# Turquoise Stroke Switches (ASQ1)

## ■ Wire leads bottom type: Mounting hole 3 mm, standard type

### CAD Data

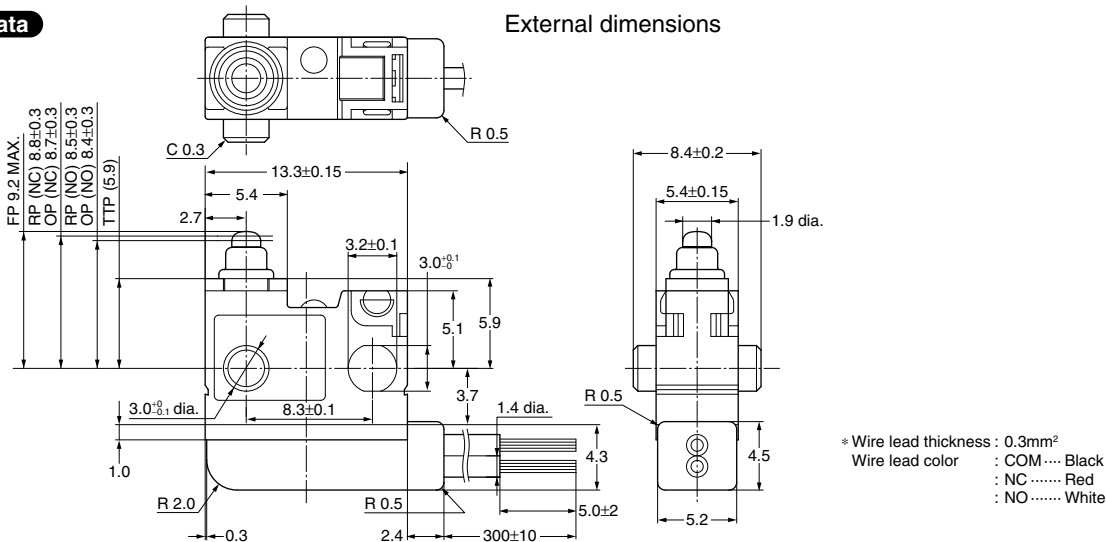
### External dimensions



## ■ Wire leads right side type: Mounting hole 3 mm, standard type

### CAD Data

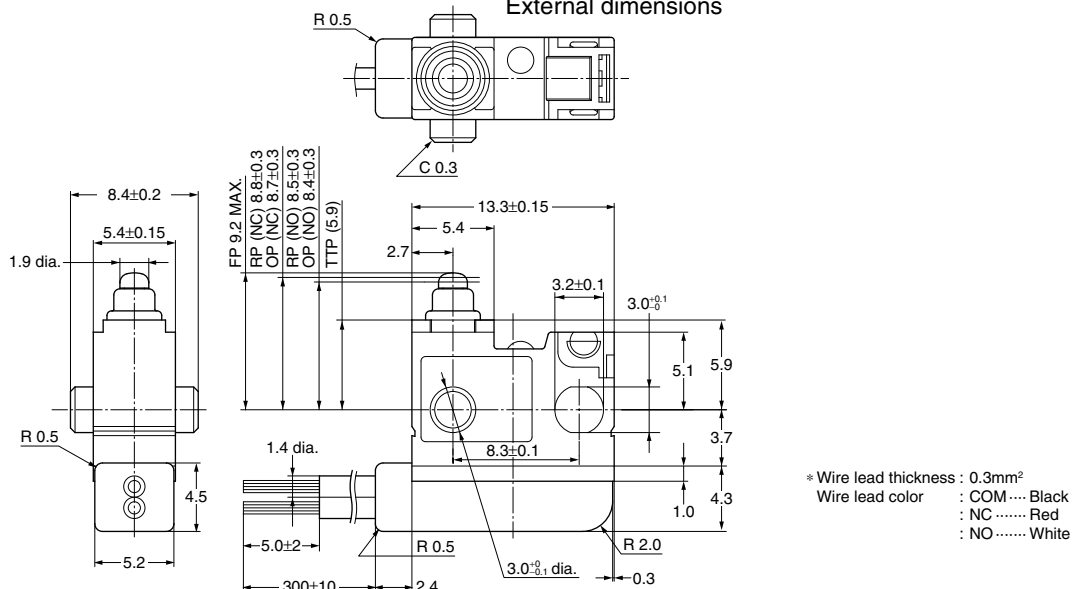
### External dimensions



## ■ Wire leads left side type: Mounting hole 3 mm, standard type

### CAD Data

### External dimensions



## CAUTIONS FOR USE

### ■ Soldering conditions

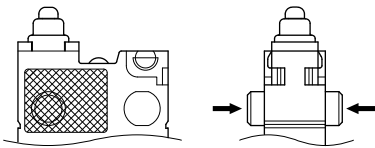
The application of excessive heat upon the switch when soldering can cause degradation of switch operation. Therefore, be sure to keep within the conditions given below.

Manual soldering: use soldering irons (max. 350°C, within 3 seconds at each terminal) capable of temperature adjustment. This is to prevent deterioration due to soldering heat. Care should be taken not to apply force to the terminals during soldering.

(More than one second interval is required to apply heat at each terminal.) Please consult us if you intend to use a soldering iron that exceeds 60 W.

### ■ Mounting

Please avoid use in which load would be applied to the sides (hatch part (both sides) shown below) of the switch in the direction indicated by the arrows. This could cause erroneous operation. Also, when using a metal installation board, please make allowance for burr direction designation and burr suppressing, etc., so that the burr side will not be on the switch installation side.



1) To secure the switch, please use an M3 small screw on a flat surface and tighten using a maximum torque of 0.29 N·m. It is recommended that both flat metal washer and spring washers be used with the screws and adhesive be applied to lock the screws to prevent loosening of the screws. Please make sure not to apply adhesive onto the moving parts.

2) Be sure to maintain adequate insulating clearance between each terminal and ground.

3) Although it is possible to directly operate the pin plunger type from the lateral direction, please consult us if doing so.

4) After mounting please make sure no tensile load will be applied to the switch terminals.

5) Range of possible use: Please set the operation position to within the ranges in the following table so that there is sufficient insulation distance and to maintain contact reliability.

| Actuator             | Plunger/lever free                      |               |
|----------------------|---|---------------|
|                      | From mounting boss and hole center line | From standoff |
| Pin plunger          | >9.2 mm                                 | >13.4 mm      |
| Leaf lever           | >10.7 mm                                | >14.9 mm      |
| Simulated leaf lever | >13.5 mm                                | >17.7 mm      |

| Actuator             | Plunger/Lever pushed                    |                 |
|----------------------|---|-----------------|
|                      | From mounting boss and hole center line | From standoff   |
| Pin plunger          | 7.8 to 5.9 mm                           | 12.0 to 10.1 mm |
| Leaf lever           | 8.4 to 6.2 mm                           | 12.6 to 10.4 mm |
| Simulated leaf lever | 11.1 to 8.7 mm                          | 15.3 to 12.9 mm |

6) PC board terminal type should be used if the products are to be soldered on the PC board. Solder terminal type is not for soldering on PC board.

### ■ Cautions regarding the circuit

1) In order to prevent malfunction in set devices caused by bounce and chattering during the ON-OFF switch operation, please verify the validity of the circuit under actual operating conditions and temperature range.

2) When switching inductive loads (relays, solenoids, buzzers, etc.), an arc absorbing circuit is recommended to protect the contacts.

### ■ Please verify under actual conditions.

Please be sure to conduct quality verification under actual operating conditions in order to increase reliability during actual use.

### ■ Selection of switch

Please make your selection so that there will be no problems even if the operating characteristics vary up to  $\pm 20\%$  from the standard values.

### ■ Oil-proof and chemical-proof characteristics

Do not use alcohol-based solvents.

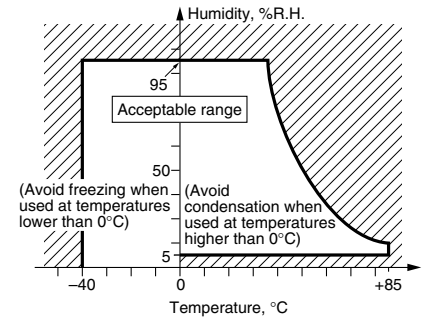
The rubber cap swells when exposed to oil and chemicals. The extent of swelling will vary widely depending on the type and amount of oil and chemicals.

Check with the actual oil or chemicals used. In particular, be aware that solvents such as freon, chlorine, toluene, and cannot be used.

### ■ Environment

1) Although continuous operation of the switch is possible within the range of ambient temperature (humidity), as the humidity range differs depending on the ambient temperature, the humidity range indicated below should be used. Continuous use near the limit of the range should be avoided.

2) This humidity range does not guarantee permanent performance.



### ■ Other

Be careful when handling the switch to make sure that the rubber cap for sealing the plunger does not break.

1) Please remember that this switch cannot be used under water. Also, please be warned that switching and sudden temperature changes with the presence of water droplets can cause seepage into the switch.

2) Keep away from environments where silicon based adhesives, oil or grease are present as faulty contacts may result from silicon oxide. Do not use in areas where flammable or explosive gases from gasoline and thinner, etc., may be present.

3) When using the lever type, please be careful not to apply unreasonable load from the reverse or lateral directions of operation.

4) Do not exceed the total travel position (TTP) and press the actuator. This could cause operation failure. Also, when switching at high speed or under shock even within the operation limit, the working life may decrease. Therefore, please be sure to verify the quality under actual conditions of use.

5) Please make considerations so that the switch does not become the stopper for the moving part.

6) Please do not pull wire leads constantly.

# Notes for Turquoise Switches (BJ, BS, BV type)

## CAUTIONS FOR USE (Common for BJ, BS and BV types)

### ■ Fastening of the switch body

1) Fasten the switch body onto a smooth surface using the correct screw as shown in the chart below and tighten it with the prescribed torque.

The switch case may deform depending on the type of screw (screw head diameter, etc.), the size of the washer, and the use or non-use of a washer. Therefore, please confirm the appropriate torque of actual conditions. Also, it is recommended that adhesive be applied to lock the screws to prevent loosening of the screws. When doing so, please be careful not let any adhesive get inside the switch.

|                   | Screws | Tightening torque      |
|-------------------|--------|------------------------|
| ABJ (BJ) switches | M1.2   | Not more than 0.098N·m |
|                   | M2.3   | Not more than 0.29N·m  |
|                   | M3.0   | Not more than 0.29N·m  |
| ABS (BS) switches | M2.3   | Not more than 0.29N·m  |
| ABV (BV) switches | M3.0   | Not more than 0.49N·m  |

### 2) Fixed pin type

To secure the switch unit, thermally crimp or press-fit the mounting pins. If the pins are to be press-fitted, install a guide on the opposite surface to the mounting pins to prevent them from slipping out of position and developing play.

3) Be sure to maintain adequate insulating clearance between each terminal and ground.

4) The positioning of the switch should be such that direct force is not applied to the pushbutton or actuator in its free position. The operating force to the pushbutton should only be applied in a perpendicular direction.

5) The standard value of overtravel used should be within the range of 70% to 100% of the rated OT value.

6) When soldering the BV type turquoise switch or the immersion protected type of the BJ and BS type switches, the sealing material sometimes forms a lump or bulge at the base of the terminal or lead. Be sure to allow enough space for this when attaching the switch.

### ■ Soldering operations

1) Manual soldering: Perform soldering in less than 3 seconds with maximum 350°C iron. Care should be taken not to apply force to the terminals during soldering. We recommend a soldering iron with temperature adjustment in order to prevent poor quality soldering.

Please consult us if you intend to use a soldering iron of 60 W or higher.

2) Terminal portions should not be moved within 1 minute after soldering.

|                   | Soldering time   |
|-------------------|------------------|
| ABJ (BJ) switches | Within 3 seconds |
| ABS (BS) switches | Within 3 seconds |
| ABV (BV) switches | Within 5 seconds |

### ■ Selection of the switch

Allow for up to  $\pm 20\%$  variation of the specified characteristics values to compensate for long term operational wear of the switch in your design.

### ■ Cautions regarding use

1) When switching inductive loads (relays, solenoids, buzzers, etc.), an arc absorbing circuit is recommended to protect the contacts.

2) If switching of the contact is synchronized with the phase of the AC power, reduced electrical life or welded contact may occur. Therefore, test the switch while it is operating under actual loads for this condition. If found, you may wish to take corrective action in your design.

3) In the slow or high speed operating condition, the electrical life might be greatly reduced depending upon the switching load. Please consult us before use.

4) Using lever type in do not condition, there is the concern that the flexible part may be impeded and return movement may not be possible. In this situation take the following precautions:

- Select a product of higher OF or use a leaf type lever.
- Attach a protective cover to the lever.

5) If the leaf lever type switch is excessively pushed (pushed further than the operational limit position) or switching is done at high speed or is accompanied by the impact, the lever will break. Please be careful. Also, be careful with the short roller lever type ABV (BV) switch as improper return may result from pressing too much.

### ■ Protection from dust, water and corrosive gas

1) The pin button and the space around the body cap Turquoise switches are sealed with elastic material, the terminal portion is integrally molded. This prevents dust entry and protects the switch against corrosive gases. Wireleaded types are recommended for applications subject to water or oil splash. However, avoid soaking these immersion protected types in oil or water, because those types are not of completely oil tight construction.

2) Switch operation or rapid temperature change while water droplets are on the switch may cause the water invasion inside the switch because of breathing action on condensation. Especially do not use switch in a bath.

If sources of silicon gas are existing in the vicinity of the switch (silicon rubber, silicon oil, silicon coating, and silicon filler, etc.), silicon gas (low molecular siloxane, etc.) will be emitted and it will get into the product due to the permeability of the plastic. If the switch is used or stored in such an environment, silicon compound might generate on the contacts, cause the and faulty contacting. Therefore, please do not use sources that can emit silicon gas in the vicinity of the switch.

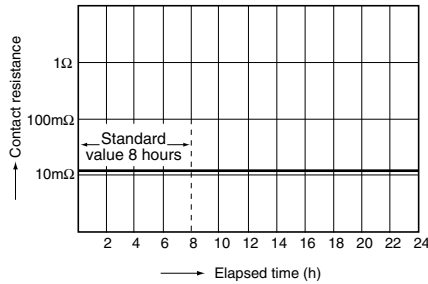
Do not use in areas where flammable or explosive gases from gasoline and thinner, etc., may be present.

# Notes for Turquoise Switches (BJ, BS, BV type)

## • Dust protection test

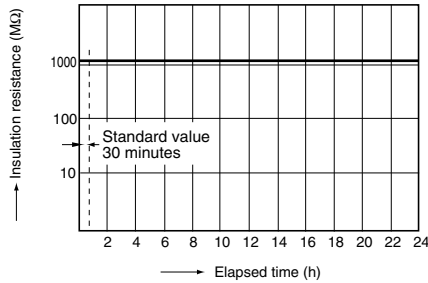
Test conditions: The talcum powder used shall be able to pass through a square- meshed sieve the nominal wire diameter of 7  $\mu\text{m}$ . The amount of talcum powder to be used is 2 kg per cubic metre of the test chamber volume. The duration of the test is 8 hours.

No damage observed after the test.



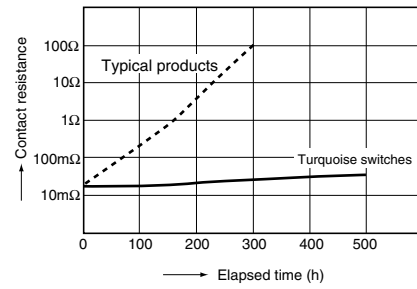
## • Waterproof test

Test conditions: Immersion protected IP67 switches ...  
Submerge at 1 m below the water surface for 30 minutes.



## • Hydrogen sulfide exposure test

Test conditions: Concentration: 3 ppm, Temperature: 40°C  
104°F, Humidity: 75% RH



## ■ Oil-proof and chemical-proof characteristics

The rubber elastomer swells when exposed to oil and chemicals. The extent of swelling will vary widely depending on the type and amount of oil and chemicals.

Check with the actual oil or chemicals used.

In particular, be aware that solvents such as freon, chlorine, and toluene cannot be used.

## ■ Washability [ABJ (BJ) and ABS (BS)]

Do not clean the switch. Doing so can cause problems. Please contact us if cleaning is necessary.

## REFERENCE

### ■ Dust-protected type

This type of construction prevents dust that is large enough to have an effect on operation from getting inside the unit. This construction is stipulated by protective classes against solid matter in the IEC standards (IEC60529).

The talcum powder used shall be able to pass through a square-meshed sieve the nominal wire diameter of 7  $\mu\text{m}$ . The amount of talcum powder to be used is 2 kg per cubic metre of the test chamber volume. The duration of the test is 8 hours.

No damage observed after the test.

### ■ Immersion-protected type

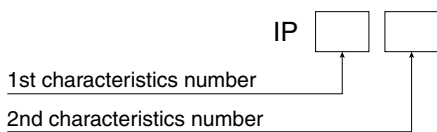
This type of construction prevents any harmful effects even after the device is left underwater at a depth of 1 m for 30 minutes.

This construction is stipulated by protective classes against water in the IEC standards (IEC60529).

### ■ IEC's IP Codes

The IEC (International Electrotechnical Commission) has defined the IP characteristic code that represents the levels of protection described in IEC standard (IEC60529).

The two numbers that follow the IP code (the characteristics numbers) indicate the suitability of this protection for all environmental conditions.



### • Level of protection indicated by the 1st Characteristics number

| 1st Characteristics number | Protection level (IEC60529/Solid matter)  |
|----------------------------|---|
| 0                          | No protection   |
| 1                          | Protected against solid matter larger than 50mm   |
| 2                          | Protected against solid matter larger than 12mm   |
| 3                          | Protected against solid matter larger than 2.5mm  |
| 4                          | Protected against solid matter larger than 1.0mm  |
| 5                          | Dust-protected type<br>Prevents dust that is large enough to have an effect on operation from getting inside the unit |
| 6                          | Dust-resistant type<br>Prevents dust from getting inside the unit   |

### • Level of protection indicated by the 2nd Characteristics number

| JIS C0920                 | 2nd Characteristics number | Protection level (IEC60529/Liquid matter)   |
|---------------------------|----------------------------|---|
|                           | 0                          | No protection   |
| Droplet-protected type I  | 1                          | Protected against water droplets that fall perpendicular to the unit                                |
| Droplet-protected type II | 2                          | Protected against water droplets that fall from within 15° of perpendicular to the unit             |
| Rain-protected type       | 3                          | Protected against water droplets that fall from within 60° of perpendicular to the unit             |
| Splash-protected type     | 4                          | Protected against water that splashes on the unit from any direction                                |
| Spray-protected type      | 5                          | Free from adverse effects even if sprayed directly with water from any direction                    |
| Water-resistant type      | 6                          | Protected against water sprayed directly on the unit from any direction                             |
| Immersion-protected type  | 7                          | Water does not get inside of the unit when submerged in water according to the specified conditions |
| Underwater type           | 8                          | Unit can be used underwater   |

Note: Details of test conditions are the same as NECA C 0920. Please refer to them.