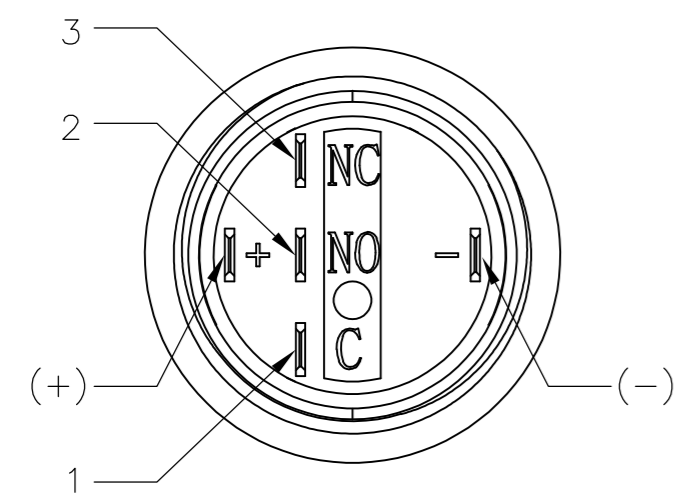
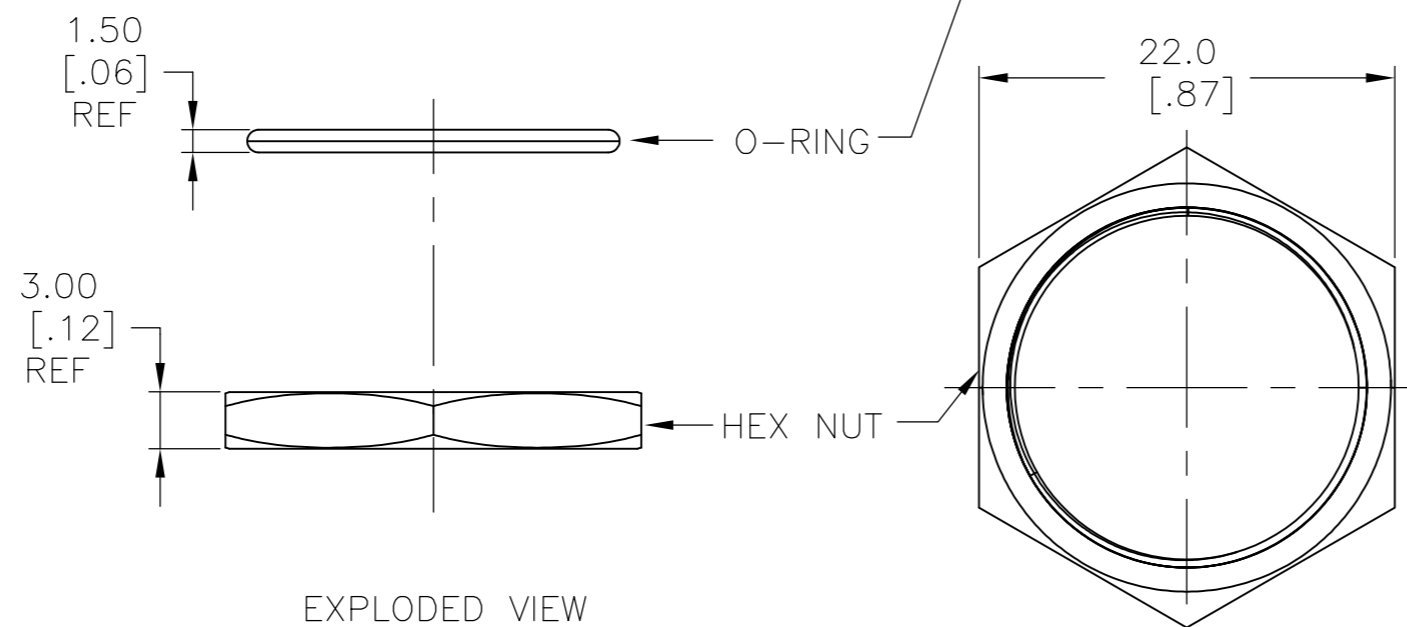
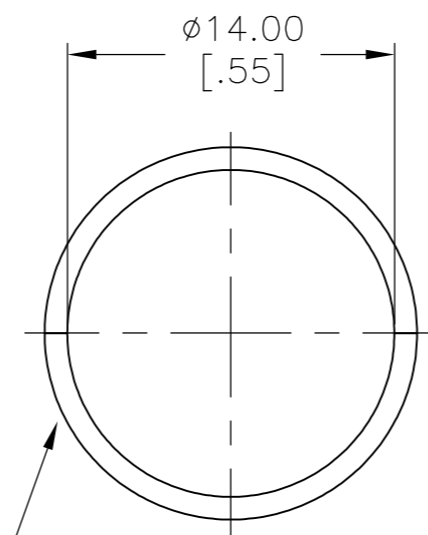
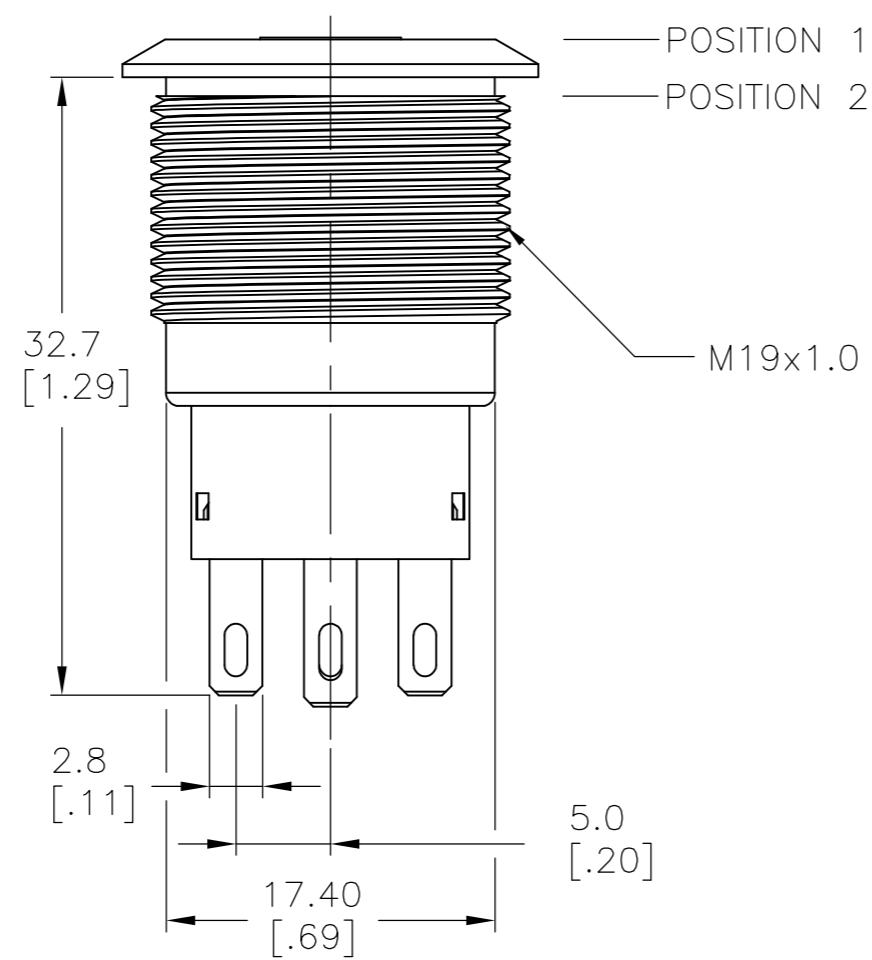
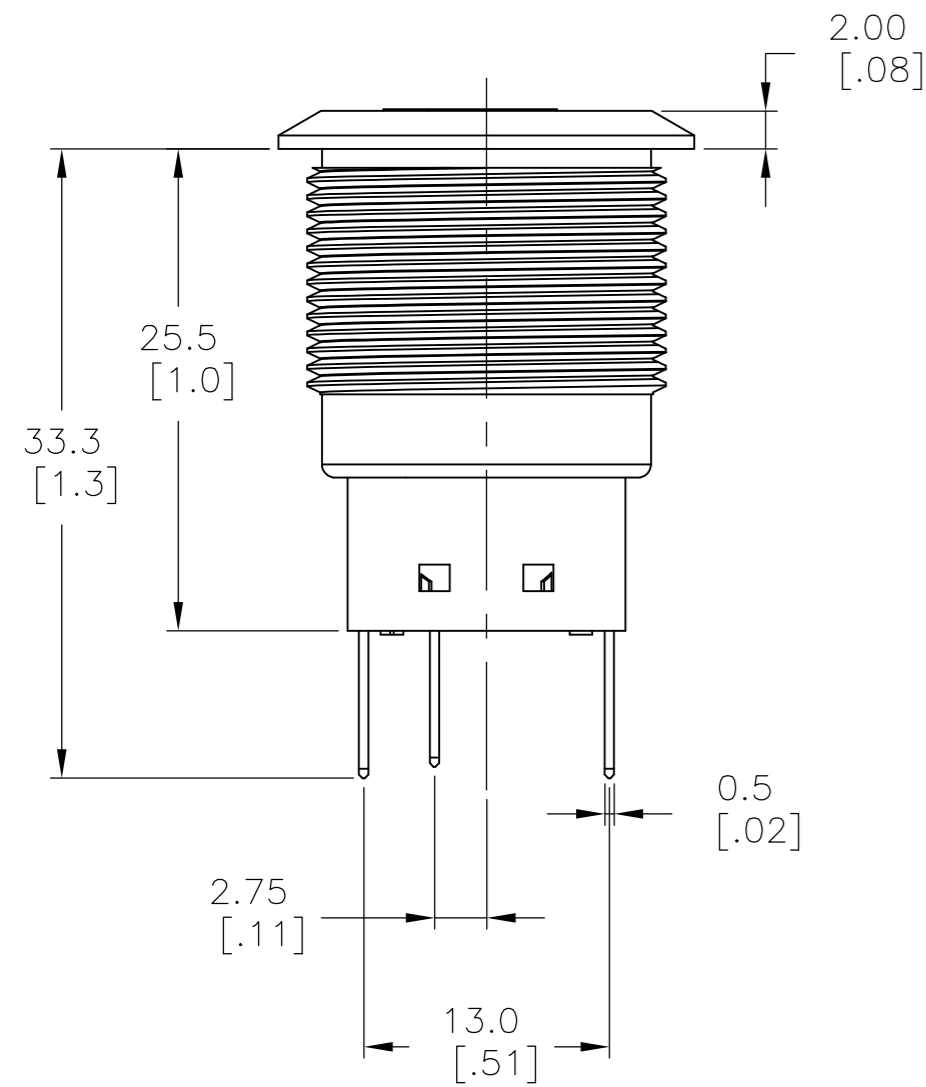
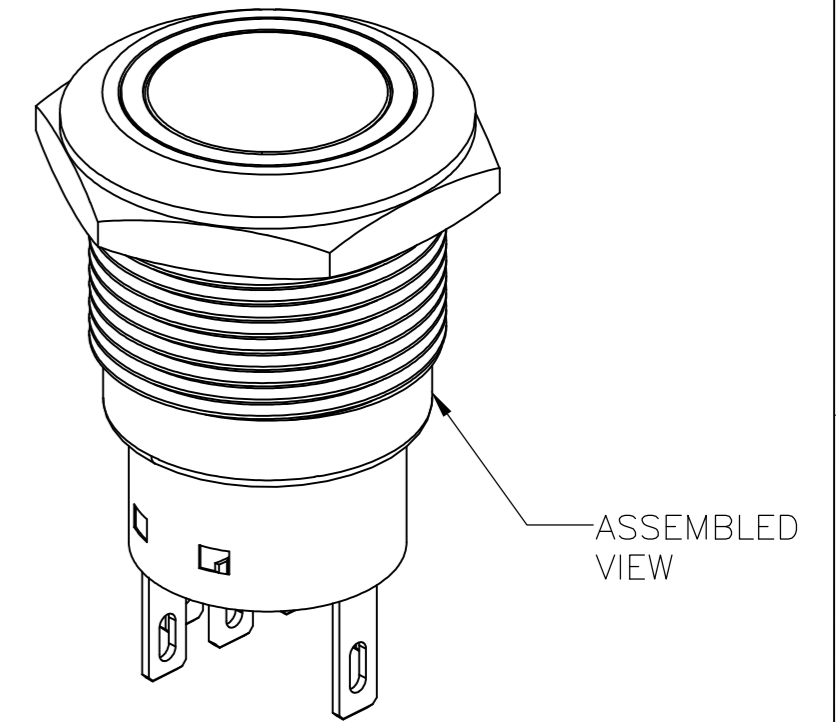
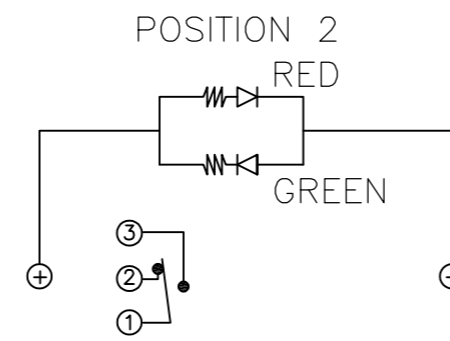
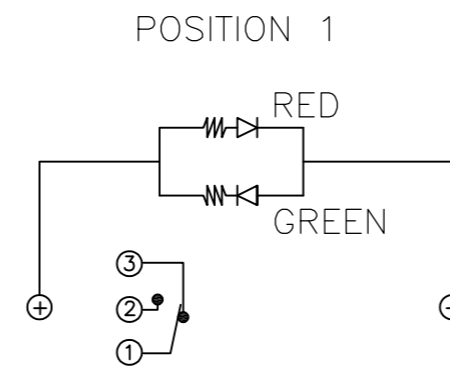
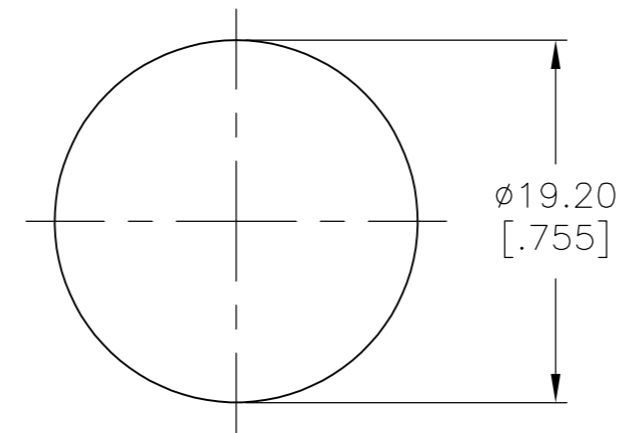
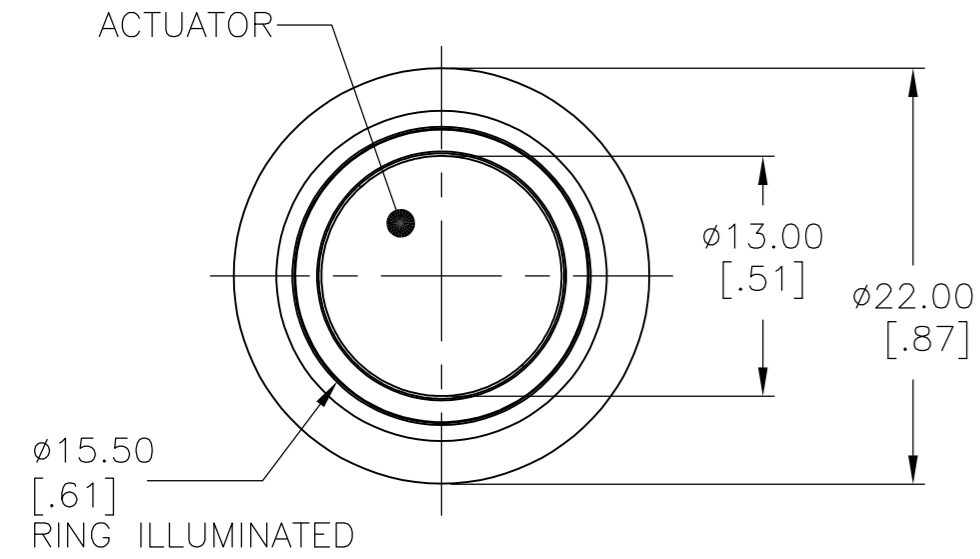


THIS DRAWING IS UNPUBLISHED. RELEASED FOR PUBLICATION  
 © COPYRIGHT - By - ALL RIGHTS RESERVED.

REVISIONS					
P	LTR	DESCRIPTION	DATE	DWN	APVD
A		INITIAL RELEASE	13MAR2017	SK	SS

### SINGLE POLE SWITCH WITH DUAL COLOR LED'S



**SPECIFICATION:**

CONTACT RATING: SILVER; 3A @ 250VAC RESISTIVE  
 GOLD; 0.4A @ 20VDC OR PEAK AC  
 INSULATION RESISTANCE: 1,000MΩ MIN AT 500VDC  
 DIELECTRIC STRENGTH: 2,000V RMS @ SEA LEVEL  
 CONTACT RESISTANCE: 50mΩ MAX @ 1A 12VDC (INITIAL VALUE), SOLDER TERMINALS  
 100mΩ MAX @ 1A 12VDC (INITIAL VALUES), FLYING LEADS.  
 ELECTRICAL LIFE CYCLES: 50,000 MAKE AND BREAK CYCLES AT FULL LOAD.  
 ACTUATION FORCE: SP: 2.5±1 NEWTON. DP: 3.5±1 NEWTON  
 ACTUATION TRAVEL: 3.2MM  
 SEALED PER IP67, IK08 (STAINLESS)  
 OPERATING TEMPERATURE: -20°C TO +55°C  
 MECHANICAL LIFECYCLES: MOMENTARY; 1,000,000 CYCLES  
 LOCKING; 500,000 CYCLES  
 HARDWARE TORQUE: 5-14 N-m.

**MATERIALS**

BUSHING: STAINLESS STEEL,  
 BASE: PBT (UL 94-V0), PC (UL 94-V2),  
 ACTUATOR: STAINLESS STEEL, PC  
 SEALING: O-RING (SILICONE),  
 TERMINAL/CONTACT: COPPER BASE, SILVER/GOLD PLATED,  
 HEX NUT: BRASS BASE, NICKEL PLATED,  
 WIRE:UL3385.

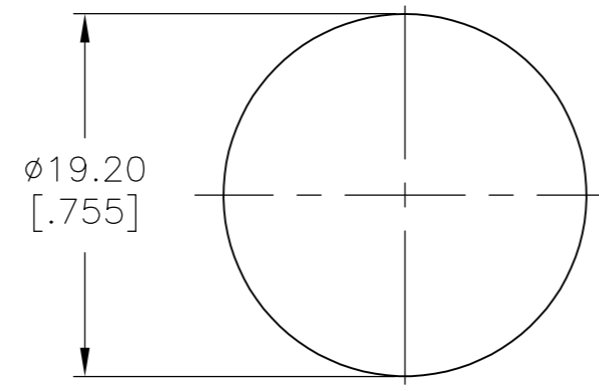
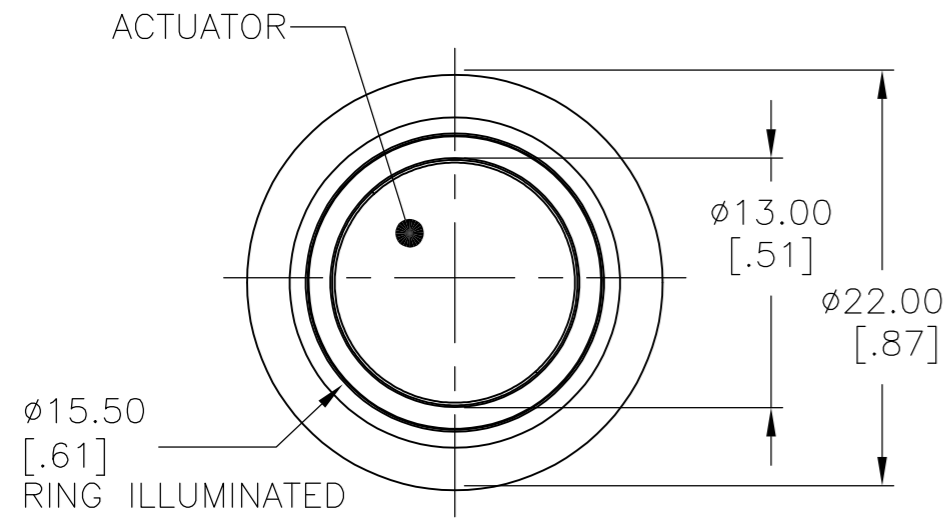
1. ALL MATERIAL AND FINISHES SHALL COMPLY WITH EU DIRECTIVE 2002/95/EC OF 27JAN2003(ROHS).

THIS DRAWING IS A CONTROLLED DOCUMENT.		DWN SHIVAKUMAR S S 13MAR2017		
DIMENSIONS: mm [INCHES]		CHK SANJAY SHINDIKAR 13MAR2017		
TOLERANCES UNLESS OTHERWISE SPECIFIED:		APVD SANJAY SHINDIKAR 13MAR2017	NAME ANTI-VANDAL SWITCH 19mm, DUAL COLOR LED, FLYING LEADS WITH FIXED RING	
0 PLC ± - 1 PLC ± 0.4[.016] 2 PLC ± 0.25[.010] 3 PLC ± - 4 PLC ± - ANGLES ± 2°		PRODUCT SPEC	RESTRICTED TO	
MATERIAL		APPLICATION SPEC	SIZE A2	CAGE CODE 00779
FINISH		WEIGHT 0	DRAWING NO C=2317404	SCALE 1:1
		CUSTOMER DRAWING	SHEET 1 of 5	REV A

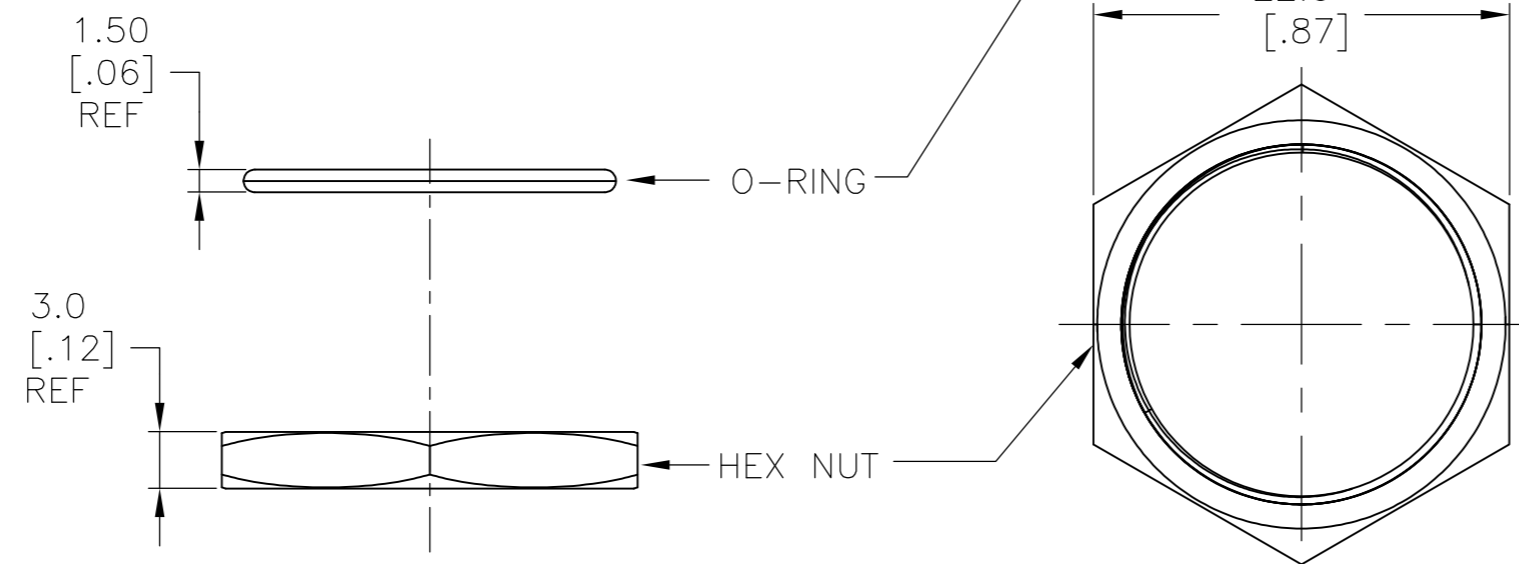
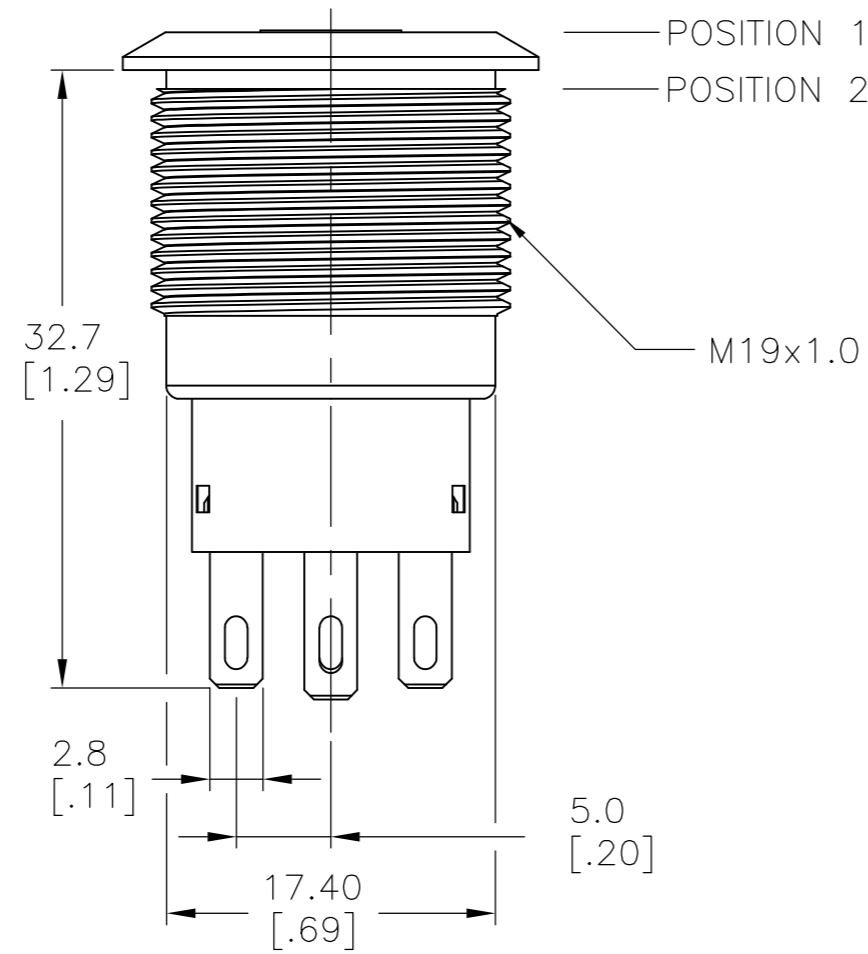
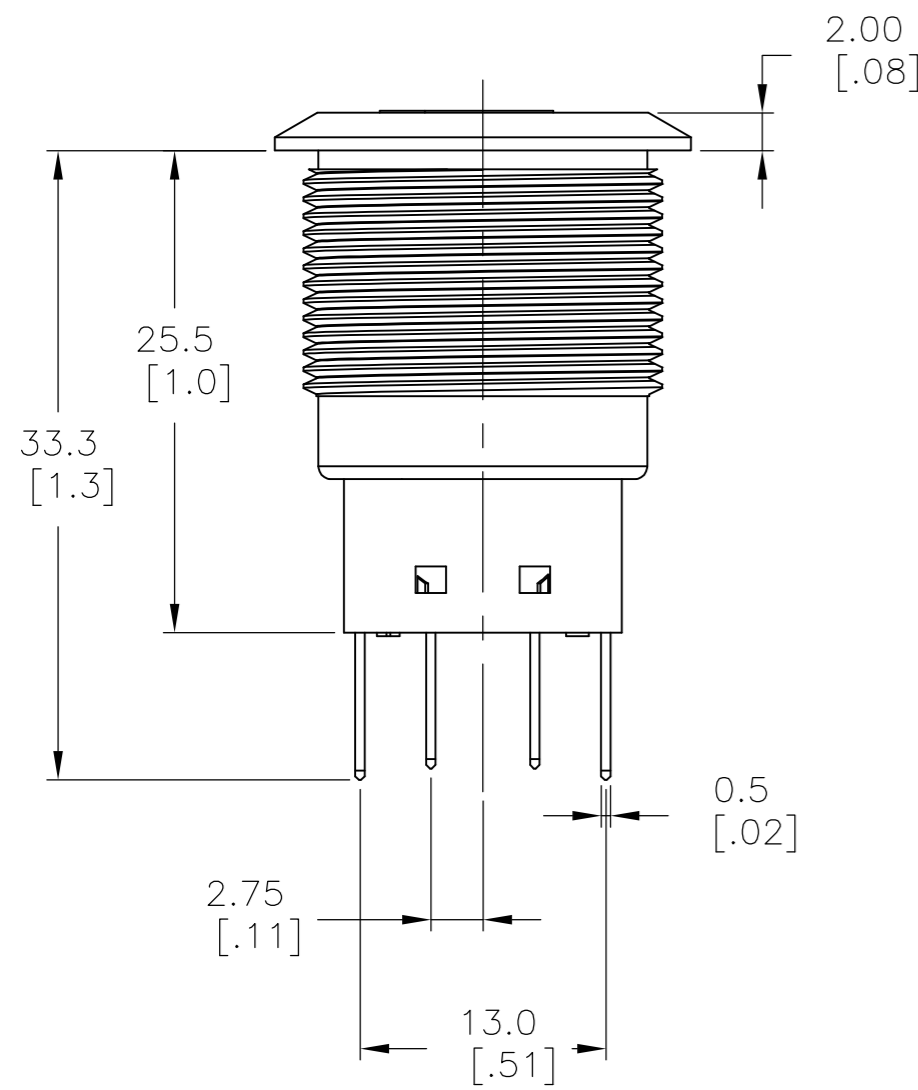
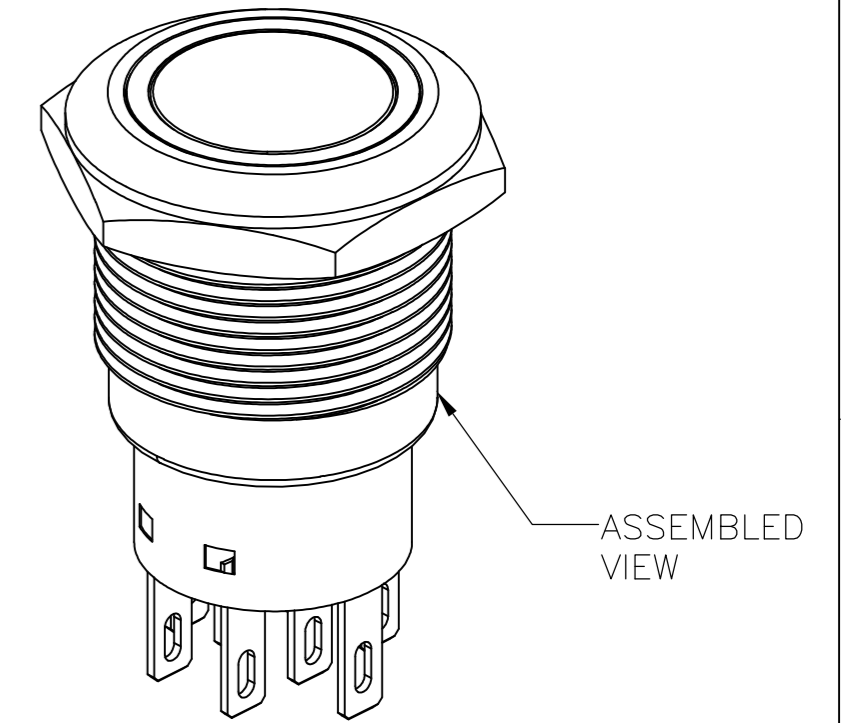
THIS DRAWING IS UNPUBLISHED. RELEASED FOR PUBLICATION  
 © COPYRIGHT - By - ALL RIGHTS RESERVED.

REVISIONS					
P	LTR	DESCRIPTION	DATE	DWN	APVD
-	-	SEE SHEET 1	-	-	-

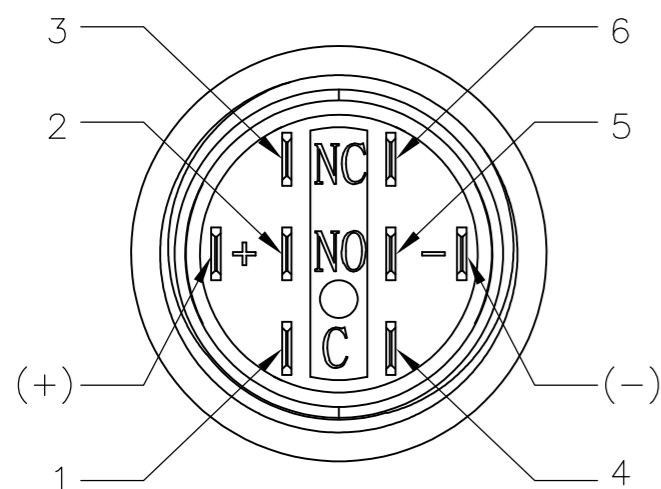
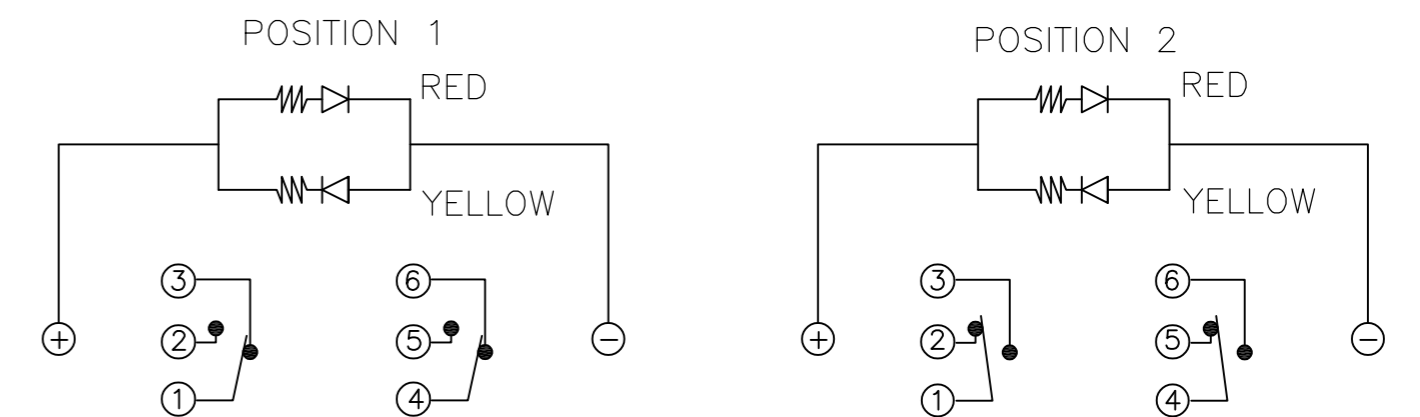
### DOUBLE POLE SWITCH WITH DUAL COLOR LED'S



PANEL CUTOUT  
 MAX.PANEL THICKNESS: 10.00[.394]



EXPLODED VIEW

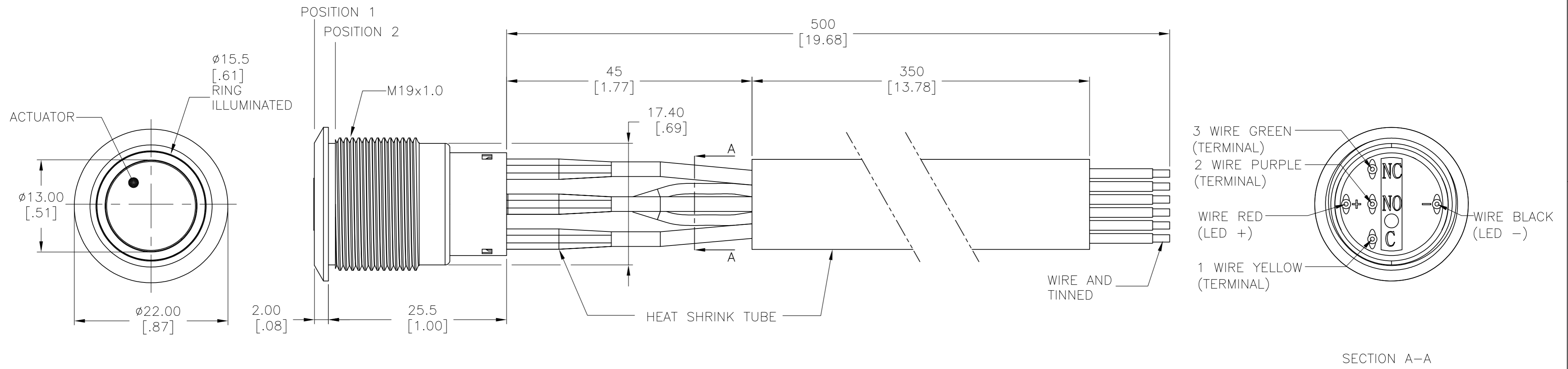


THIS DRAWING IS A CONTROLLED DOCUMENT.		DWN 13MAR2017 SHIVAKUMAR S S		
DIMENSIONS: mm [INCHES]		CHK 13MAR2017 SANJAY SHINDIKAR		
TOLERANCES UNLESS OTHERWISE SPECIFIED:		APVD 13MAR2017 SANJAY SHINDIKAR	NAME ANTI-VANDAL SWITCH 19mm, DUAL COLOR LED, FLYING LEADS WITH FIXED RING	
0 PLC ± -		PRODUCT SPEC	SIZE	CAGE CODE
1 PLC ± 0.4[.016]		APPLICATION SPEC	A2	00779
2 PLC ± 0.25[.010]		WEIGHT	DRAWING NO C=2317404	
3 PLC ± -		MATERIAL	RESTRICTED TO	
4 PLC ± -		FINISH	-	
ANGLES ± 2°		CUSTOMER DRAWING	SCALE	SHEET
-			1:1	2 of 5
			REV	A

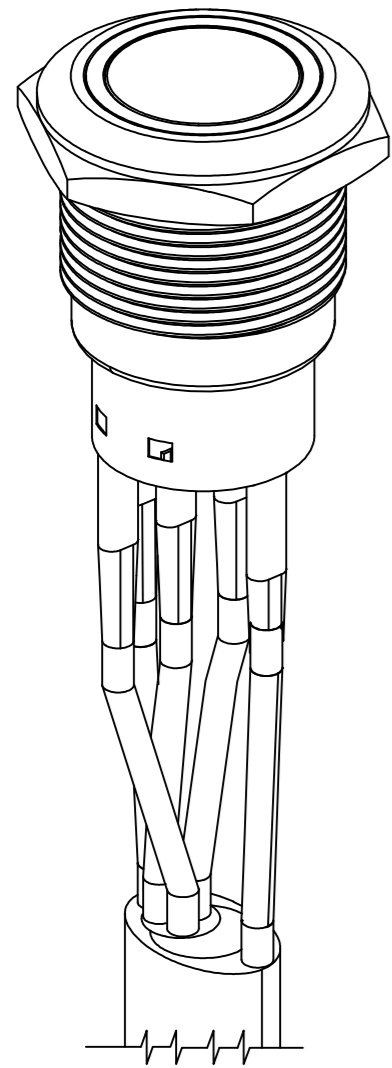
THIS DRAWING IS UNPUBLISHED. RELEASED FOR PUBLICATION  
 © COPYRIGHT - By - ALL RIGHTS RESERVED.

REVISIONS					
P	LTR	DESCRIPTION	DATE	DWN	APVD
-	-	SEE SHEET 1	-	-	-

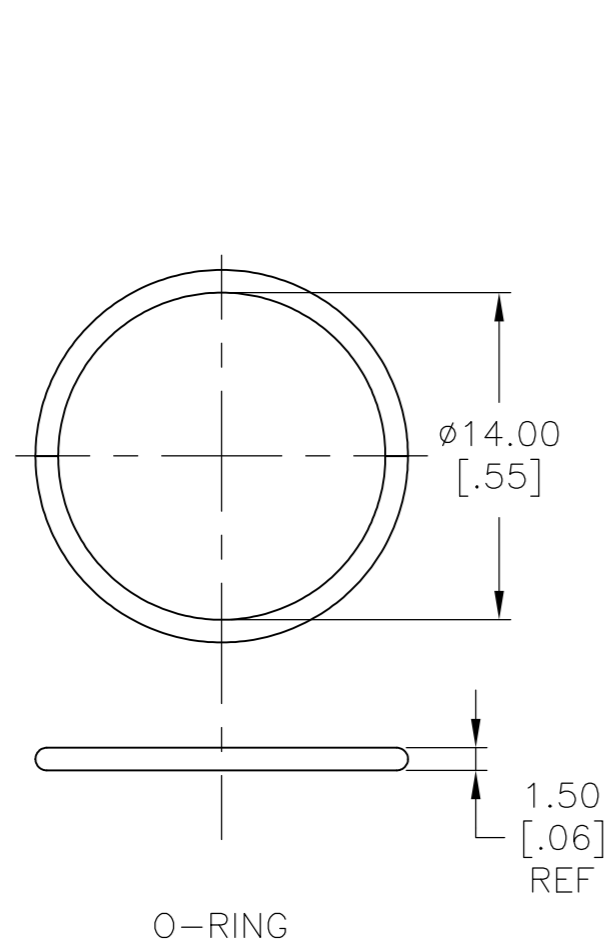
# SINGLE POLE SWITCH WITH DUAL COLOR LED'S AND FLYING LEADS



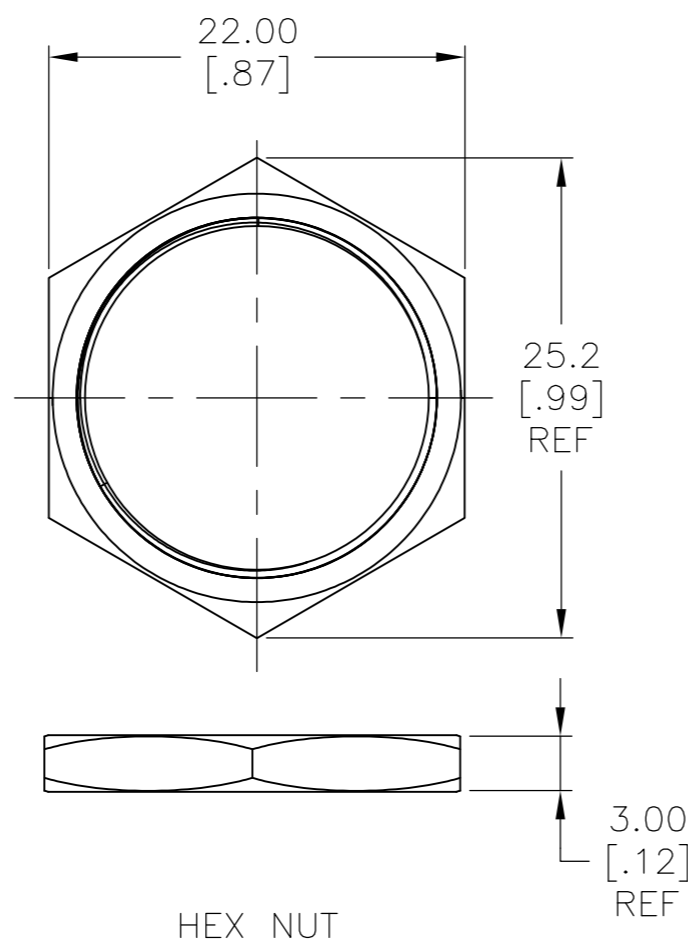
WIRE=18AWG, 300V(BLACK,YELLOW/GREEN/RED/PURPLE)



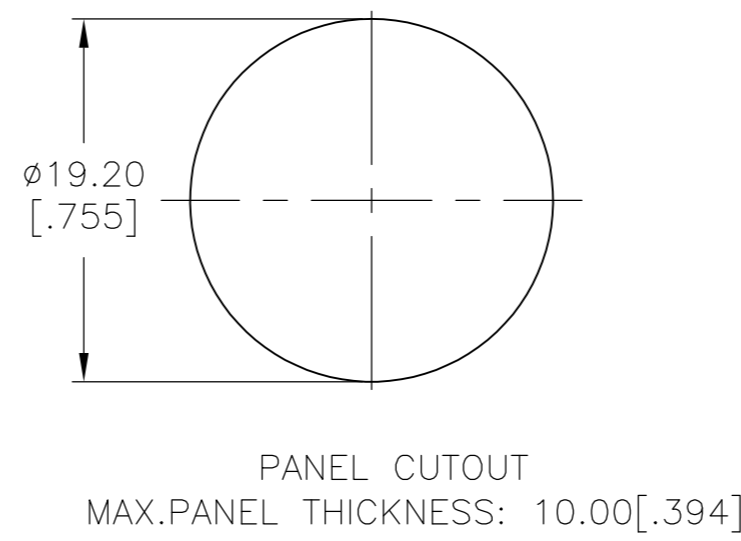
ASSEMBLED VIEW



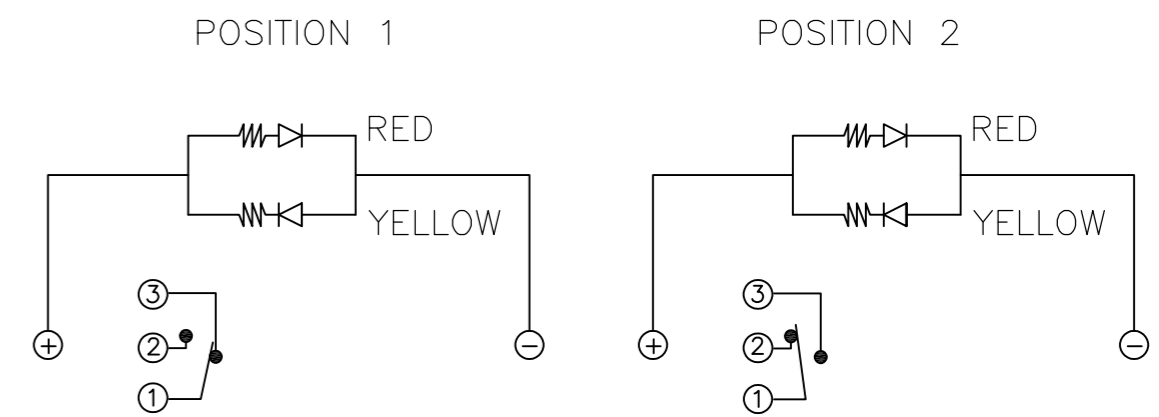
O-RING



HEX NUT



PANEL CUTOUT  
MAX.PANEL THICKNESS: 10.00[.394]

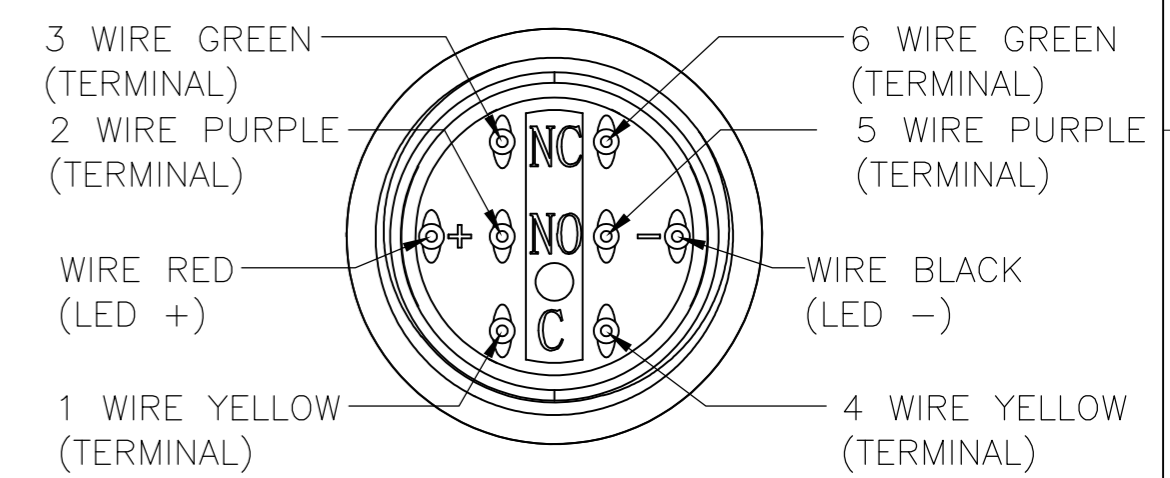
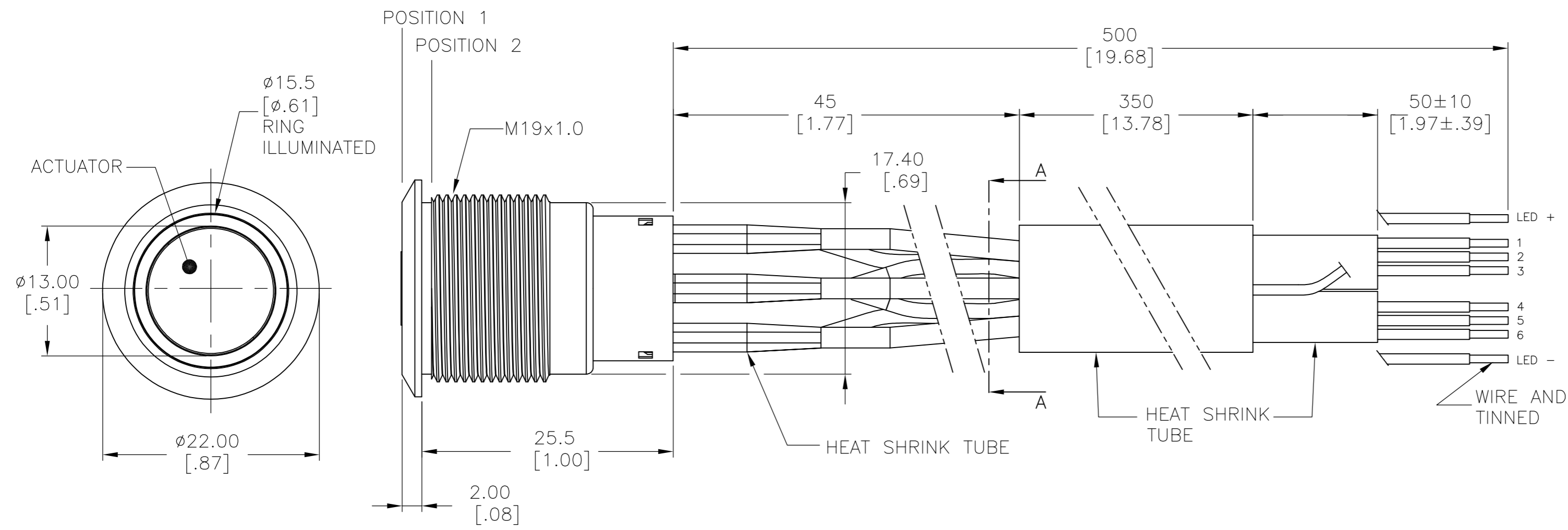


THIS DRAWING IS A CONTROLLED DOCUMENT.		DWN 13MAR2017 SHIVAKUMAR S S	<b>TE</b> TE Connectivity	
DIMENSIONS: mm [INCHES]		CHK 13MAR2017 SANJAY SHINDIKAR		
TOLERANCES UNLESS OTHERWISE SPECIFIED:		APVD 13MAR2017 SANJAY SHINDIKAR	NAME ANTI-VANDAL SWITCH 19mm, DUAL COLOR LED, FLYING LEADS WITH FIXED RING	
0 PLC ± -		PRODUCT SPEC	SIZE	RESTRICTED TO
1 PLC ± 0.4[.016]		APPLICATION SPEC	CAGE CODE	
2 PLC ± 0.25[.010]			DRAWING NO	
3 PLC ± -			00779	
4 PLC ± -			C=2317404	
ANGLES ± 2°		WEIGHT	0	
FINISH		CUSTOMER DRAWING	SCALE	1:1
			SHEET	3 OF 5
			REV	A

THIS DRAWING IS UNPUBLISHED. RELEASED FOR PUBLICATION  
 © COPYRIGHT - By - ALL RIGHTS RESERVED.

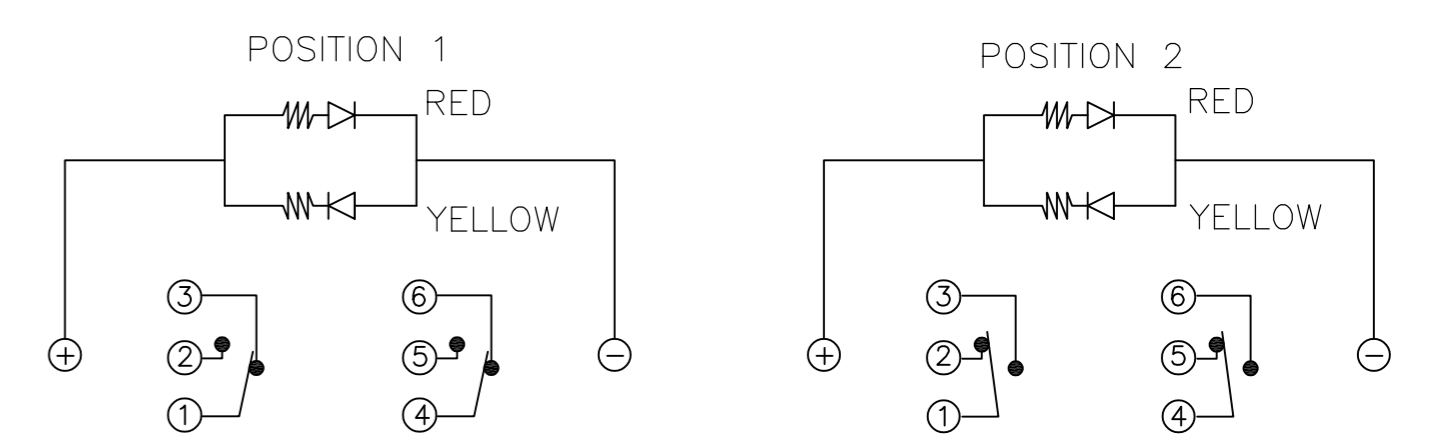
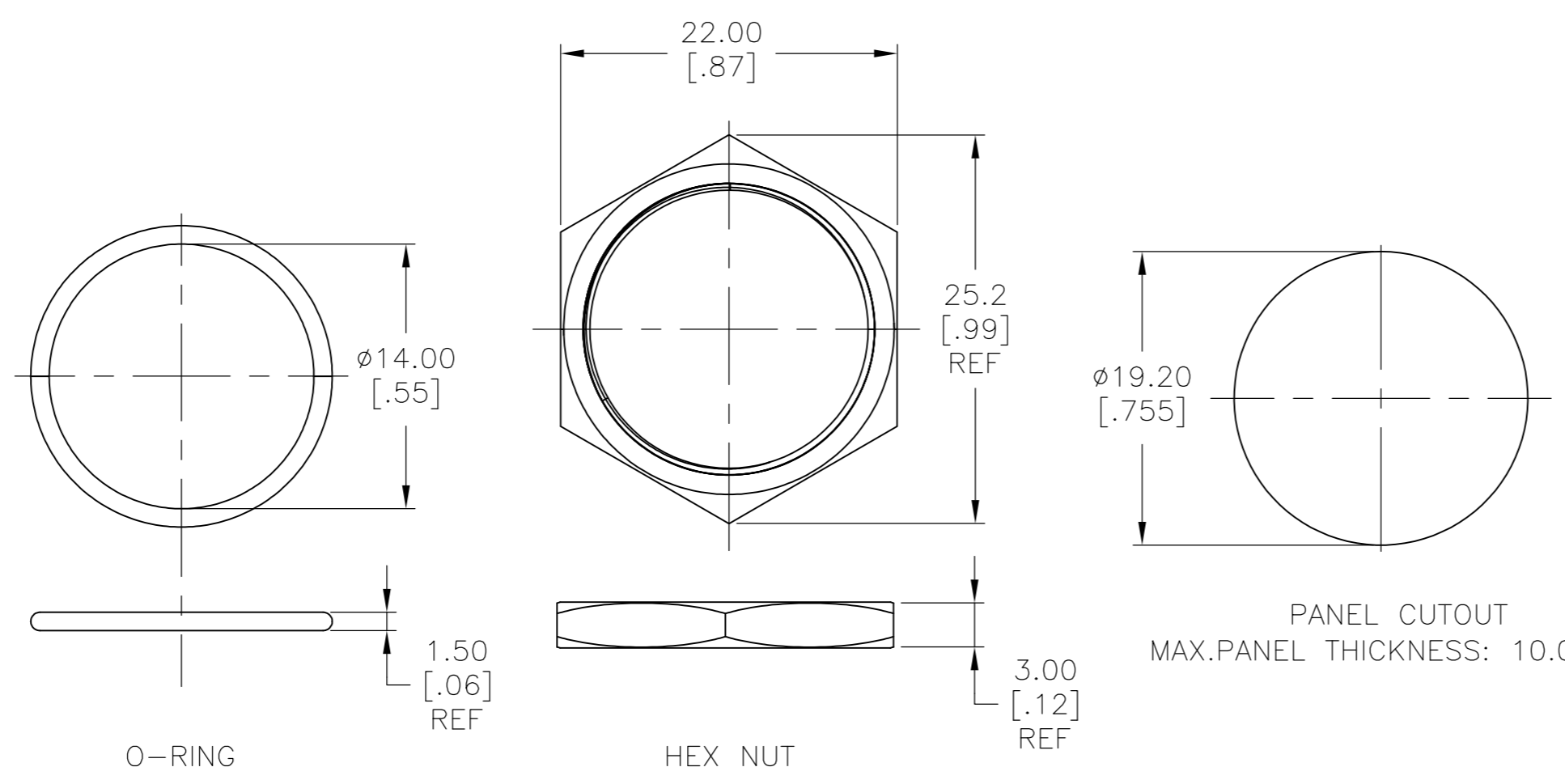
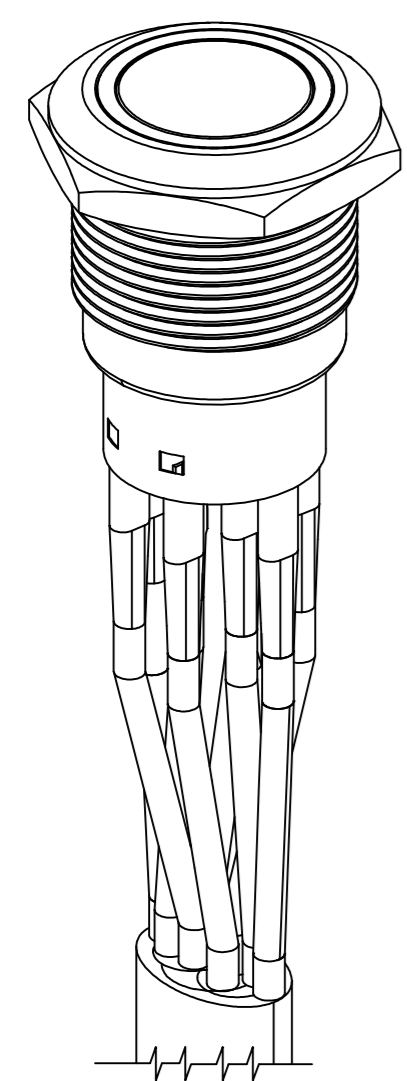
REVISIONS				
P	LTR	DESCRIPTION	DATE	APVD
-	-	SEE SHEET 1	-	-

# DOUBLE POLE SWITCH WITH DUAL COLOR LED'S AND FLYING LEADS



SECTION A-A

WIRE=18AWG, 300V(BLACK,YELLOW/GREEN/RED/PURPLE)



THIS DRAWING IS A CONTROLLED DOCUMENT.		DWN 13MAR2017 SHIVAKUMAR S S		
DIMENSIONS: mm [INCHES]		CHK 13MAR2017 SANJAY SHINDIKAR		
TOLERANCES UNLESS OTHERWISE SPECIFIED:		APVD 13MAR2017 SANJAY SHINDIKAR	NAME ANTI-VANDAL SWITCH 19mm, DUAL COLOR LED, FLYING LEADS WITH FIXED RING	
0 PLC ± - 1 PLC ± 0.4[.016] 2 PLC ± 0.25[.010] 3 PLC ± - 4 PLC ± - ANGLES ± 2°		PRODUCT SPEC	SIZE CAGE CODE DRAWING NO RESTRICTED TO	
MATERIAL FINISH		APPLICATION SPEC	A2 00779 C=2317404	
		WEIGHT 0	SCALE 1:1 SHEET 4 OF 5 REV A	
		CUSTOMER DRAWING		

THIS DRAWING IS UNPUBLISHED. RELEASED FOR PUBLICATION  
 © COPYRIGHT - By - ALL RIGHTS RESERVED.

REVISIONS					
P	LTR	DESCRIPTION	DATE	DWN	APVD
-	-	SEE SHEET 1	-	-	-

CONTACT PLATING	LIGHT TYPE	TERMINAL OPTION	POLE/THROW	LED COLOR	LED VOLTAGE	TE DESCRIPTIVE PART NUMBER	TE PART NUMBER
SILVER	FIXED RING	FLYING LEAD TERMINALS	DOUBLE POLE - MOMENTARY	RED & YELLOW	24	AV1920RG24T5Q04	4-2317404-7
					12	AV1920RG12T5Q04	4-2317404-6
				RED & BLUE	24	AV1920RB24T5Q04	4-2317404-5
					12	AV1920RB12T5Q04	4-2317404-4
				RED & GREEN	24	AV1920RA24T5Q04	4-2317404-3
					12	AV1920RA12T5Q04	4-2317404-2
			SINGLE POLE - LOCKING	RED & YELLOW	24	AV1911RG24T5Q04	4-2317404-1
					12	AV1911RG12T5Q04	4-2317404-0
				RED & BLUE	24	AV1911RB24T5Q04	3-2317404-9
					12	AV1911RB12T5Q04	3-2317404-8
				RED & GREEN	24	AV1911RA24T5Q04	3-2317404-7
					12	AV1911RA12T5Q04	3-2317404-6
		SOLDER TERMINALS	DOUBLE POLE - MOMENTARY	RED & YELLOW	24	AV1910RG24T5Q04	3-2317404-5
					12	AV1910RG12T5Q04	3-2317404-4
				RED & BLUE	24	AV1910RB24T5Q04	3-2317404-3
					12	AV1910RB12T5Q04	3-2317404-2
				RED & GREEN	24	AV1910RA24T5Q04	3-2317404-1
					12	AV1910RA12T5Q04	3-2317404-0
			SINGLE POLE - LOCKING	RED & YELLOW	24	AV1920RG24Q04	1-2317404-8
					12	AV1920RG12Q04	1-2317404-7
				RED & BLUE	24	AV1920RB24Q04	1-2317404-6
					12	AV1920RB12Q04	1-2317404-5
				RED & GREEN	24	AV1920RA24Q04	1-2317404-4
					12	AV1920RA12Q04	1-2317404-3
SINGLE POLE - MOMENTARY	RED & YELLOW	24	AV1911RG24Q04	1-2317404-2			
		12	AV1911RG12Q04	1-2317404-1			
	RED & BLUE	24	AV1911RB24Q04	1-2317404-0			
		12	AV1911RB12Q04	2317404-9			
	RED & GREEN	24	AV1911RA24Q04	2317404-8			
		12	AV1911RA12Q04	2317404-7			
SOLDER TERMINALS	RED & YELLOW	24	AV1910RG24Q04	2317404-6			
		12	AV1910RG12Q04	2317404-5			
	RED & BLUE	24	AV1910RB24Q04	2317404-4			
		12	AV1910RB12Q04	2317404-3			
	RED & GREEN	24	AV1910RA24Q04	2317404-2			
		12	AV1910RA12Q04	2317404-1			

THIS DRAWING IS A CONTROLLED DOCUMENT.		DWN 13MAR2017 SHIVAKUMAR S S	<b>TE</b> TE Connectivity	
DIMENSIONS: mm [INCHES]		CHK 13MAR2017 SANJAY SHINDIKAR		
TOLERANCES UNLESS OTHERWISE SPECIFIED:		APVD 13MAR2017 SANJAY SHINDIKAR	NAME ANTI-VANDAL SWITCH 19mm, DUAL COLOR LED, FLYING LEADS WITH FIXED RING	
0 PLC ± - 1 PLC ± 0.4[.016] 2 PLC ± 0.25[.010] 3 PLC ± - 4 PLC ± - ANGLES ± 2°		PRODUCT SPEC APPLICATION SPEC	SIZE CAGE CODE DRAWING NO RESTRICTED TO	
MATERIAL	FINISH	WEIGHT 0	A2 00779 C=2317404	
CUSTOMER DRAWING		SCALE 1:1	SHEET 5 OF 5 REV A	