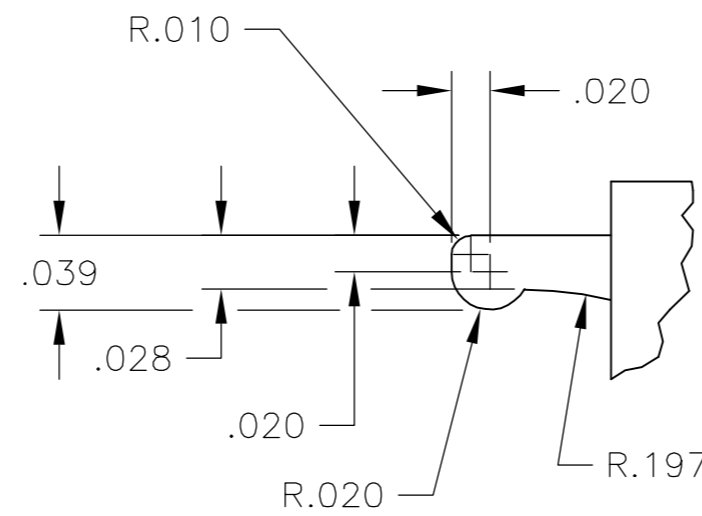
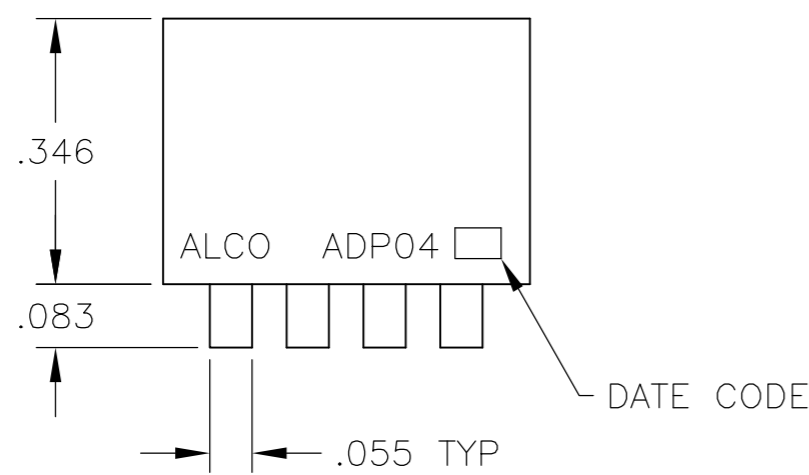
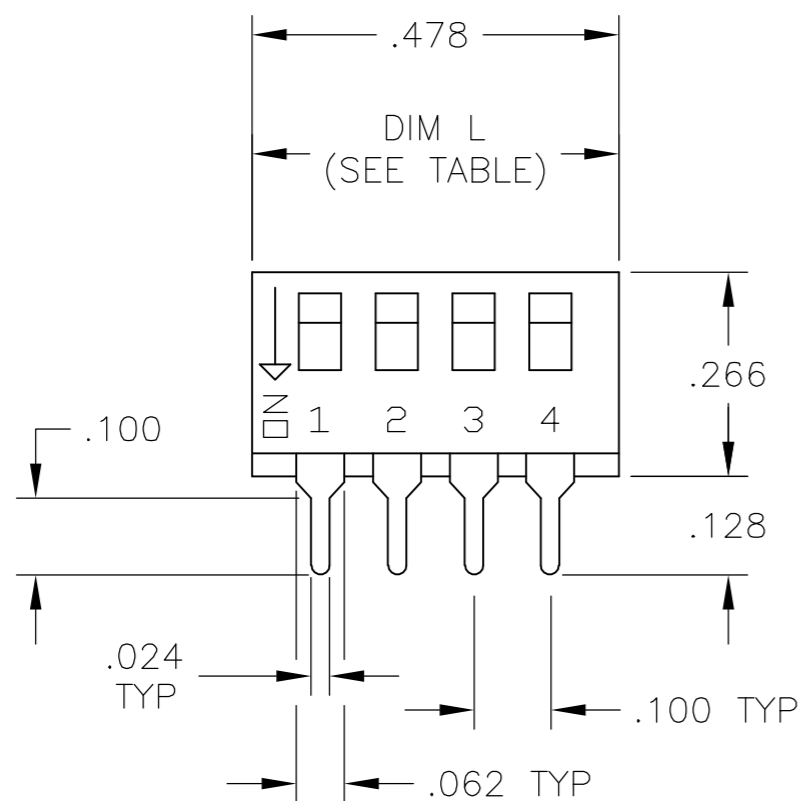


THIS DRAWING IS UNPUBLISHED. RELEASED FOR PUBLICATION  
 © COPYRIGHT BY TYCO ELECTRONICS CORPORATION. ALL RIGHTS RESERVED.

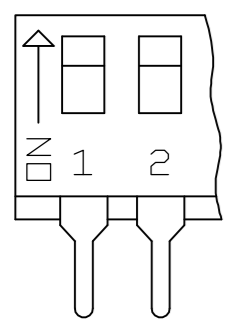
LOC	DIST	REVISIONS			
P	LTR	DESCRIPTION	DATE	DWN	APVD
AD	00	F1 ECO-05-8030	22MAY06	MB	MS



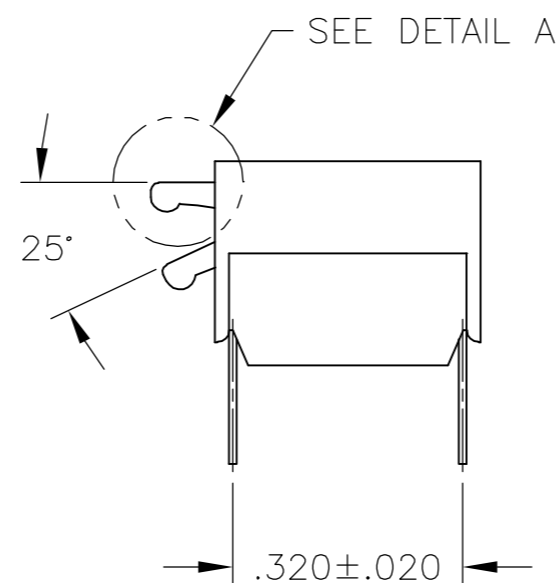
DETAIL A  
SCALE: 10/1



ADP



ADPA



SPECIFICATIONS:

MATERIAL:

CASE: POLYESTER 94V-0  
 \*\* PPS FOR SURFACE MOUNT VERSIONS ONLY  
 COVER: POLYESTER 94V-0  
 \*\* PPS FOR SURFACE MOUNT VERSIONS ONLY  
 ACTUATOR: POLYESTER 94V-0  
 \*\* NYLON FOR SURFACE MOUNT VERSIONS ONLY.  
 MOVING CONTACT: COPPER ALLOY, GOLD FLASH OVER NICKEL.  
 FIXED CONTACT: COPPER ALLOY, TIN LEAD PLATE OVER COPPER.  
 TERMINALS: COPPER ALLOY, TIN LEAD PLATE OVER COPPER.

ELECTRICAL:

CONTACT RATING: 0.4 VA MAX. @ 20 VDC OR PEAK AC.  
 INITIAL CONTACT RESISTANCE: 50 MILLIOHMS MAX.  
 INSULATION RESISTANCE: 100 MEGOHMS MIN. @ 100 VDC.  
 DIELECTRIC STRENGTH: 500 VAC.  
 LIFE EXPECTANCY: 1000 CYCLES MIN.

MECHANICAL:

ACTUATION FORCE: 800g MAX.

ENVIRONMENTAL:

OPERATING TEMPERATURE: -22°F TO +185°F (-30°C TO +85°C).  
 STORAGE TEMPERATURE: -49°F TO +212°F (-45°C TO +100°C).

NOTES:

- INTERPRET DRAWING PER ASME Y14.5M-1994.
- \* ODD NUMBER TERMINALS AVAILABLE ON SPECIAL REQUEST.
- SOLDER HEAT RESISTANCE: PER EIA-364-56  
 FOR WAVE SOLDERING: TEST PROCEDURE 3, TEST CONDITION B  
 FOR I.R. SOLDERING: TEST PROCEDURE 5, LEVEL 2  
 (245°C FOR 15 SECONDS).
- CONTACT PRESSURE: 280,000 PSI.
- CLEANING: AQUEOUS SOLUTION OR SOLVENT.
- SWITCHES TO BE RECEIVED IN THE "OFF" POSITION AND PACKAGED IN CLEAR TUBES TO ACCOMMODATE AUTO-INSERTION.
- TOP & FRONT SURFACES TO BE CLEARLY MARKED AS SHOWN.
- SWITCHES TO BE BLACK WITH WHITE ACTUATORS AND MARKINGS.
- SWITCH DOES NOT MEET MIL-STD-202, METHOD 208 FOR SOLDERABILITY.
- TAPE AND REEL PACKAGING PER EIA 481.
- ADD "TR" SUFFIX FOR TAPE AND REEL PACKAGING.
- ADD "TRON" SUFFIX FOR TAPE AND REEL PACKAGING, SWITCH IN THE "ON" POSITION.

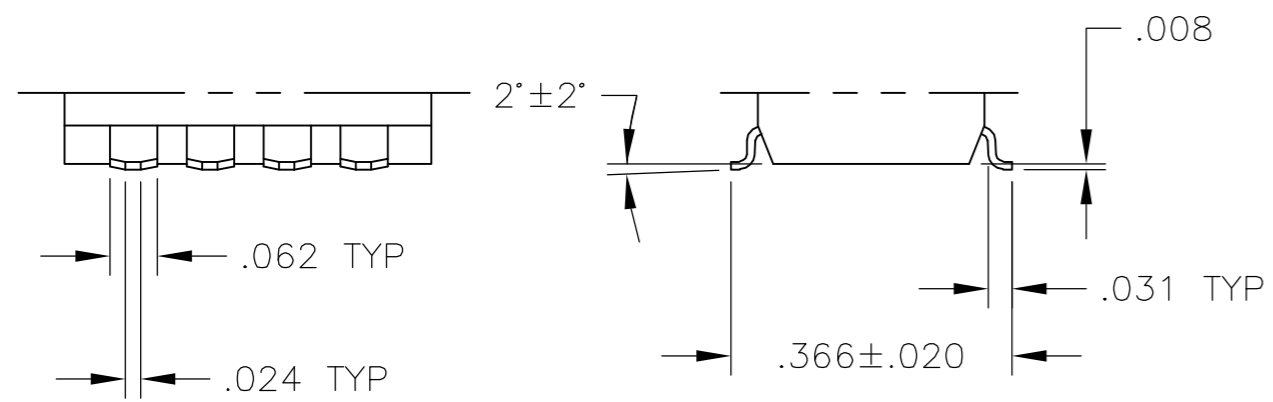
SEE SHEET 2 FOR SURFACE MOUNTING OPTIONS

SEE SHEET 3 FOR PART NUMBER TABLE

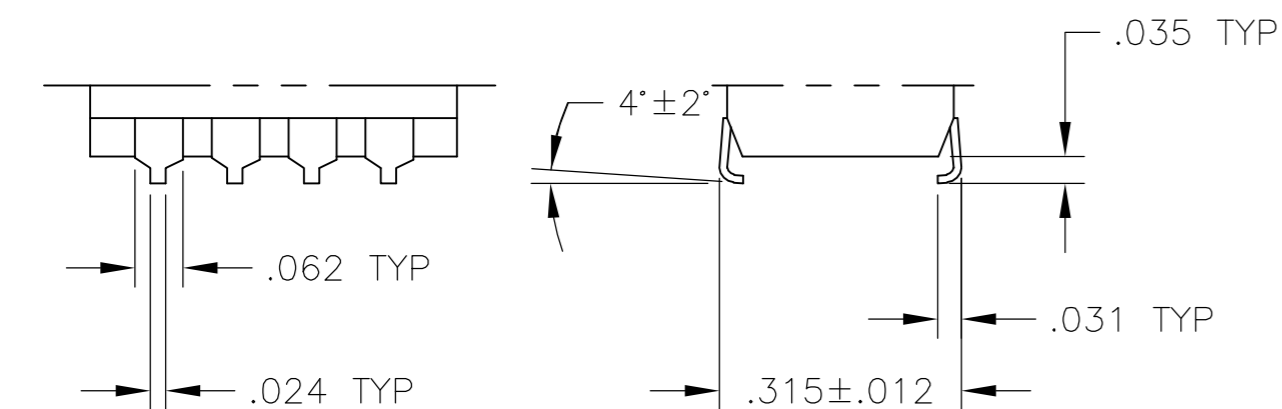
THIS DRAWING IS A CONTROLLED DOCUMENT.		DWN R BROWN 10DEC02	<p>Tyco Electronics Corporation Harrisburg, PA</p> <p><b>OBsolete</b> NOT the LATEST REVISION</p>
DIMENSIONS: INCHES		CHK M SARVER 10DEC02	
TOLERANCES UNLESS OTHERWISE SPECIFIED:		APVD M SARVER 10DEC02	
0 PLC ± - 1 PLC ± - 2 PLC ± - 3 PLC ± .010 4 PLC ± - ANGLES ± 1°		NAME PRODUCT SPEC APPLICATION SPEC	
MATERIAL	FINISH	WEIGHT	SIZE CAGE CODE DRAWING NO RESTRICTED TO
-	-	-	A2 00779C-2 1437587-6
CUSTOMER DRAWING		SCALE	SHEET 1 OF 3 REV F1
		4:1	

THIS DRAWING IS UNPUBLISHED. RELEASED FOR PUBLICATION  
 © COPYRIGHT BY TYCO ELECTRONICS CORPORATION. ALL RIGHTS RESERVED.

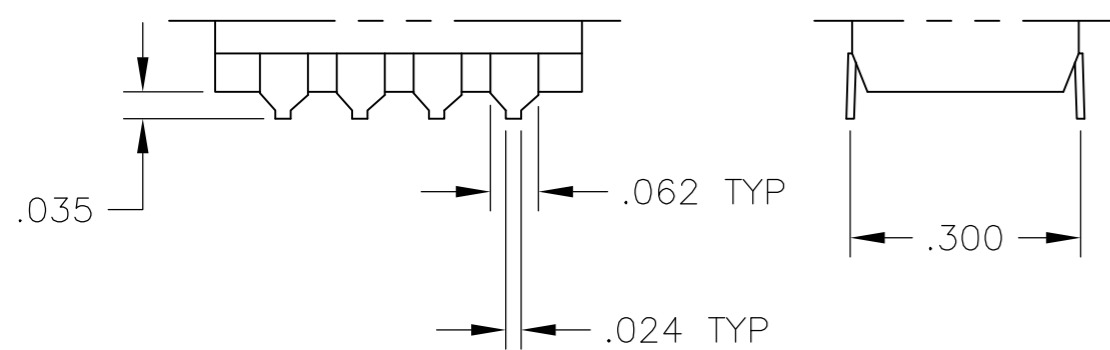
LOC		DIST		REVISIONS			
P	LTR	DESCRIPTION	DATE	DWN	APVD		
AD	00	SEE SHEET 1	-	-	-		



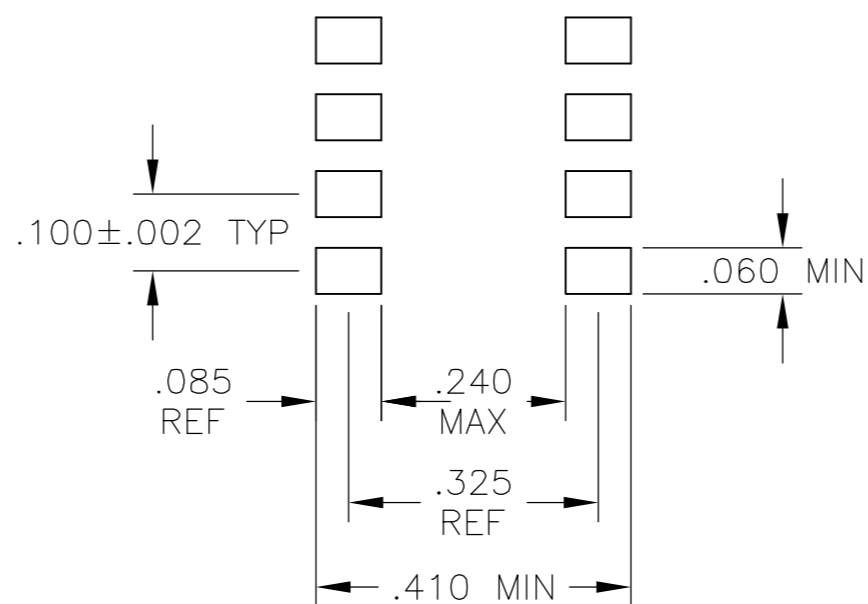
SURFACE MOUNT  
S TERMINATION



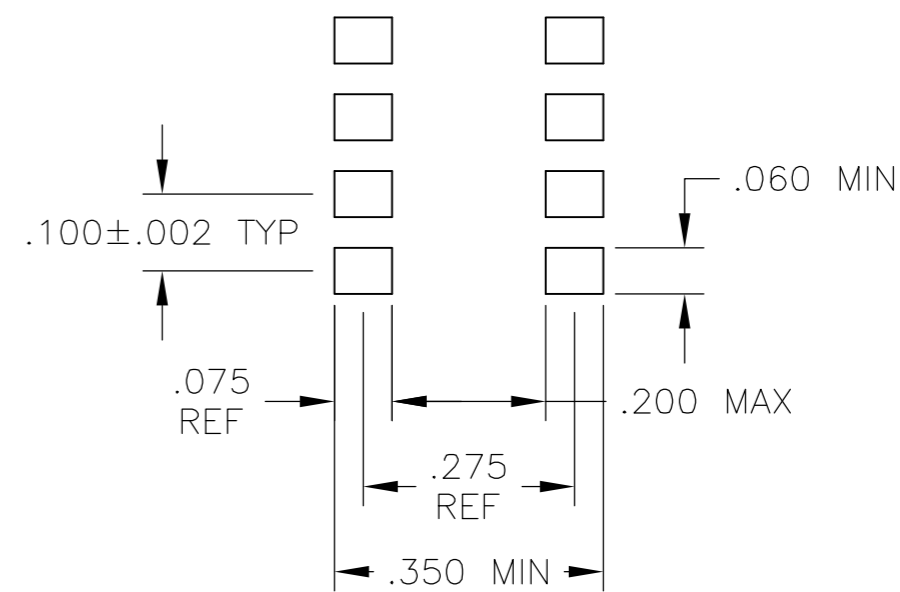
SURFACE MOUNT  
SA TERMINATION



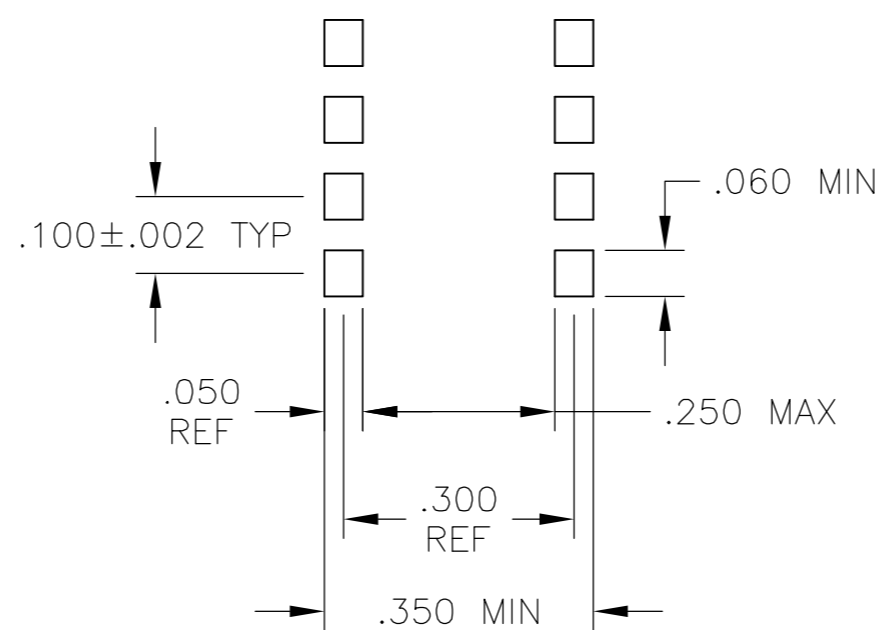
SURFACE MOUNT  
SB TERMINATION



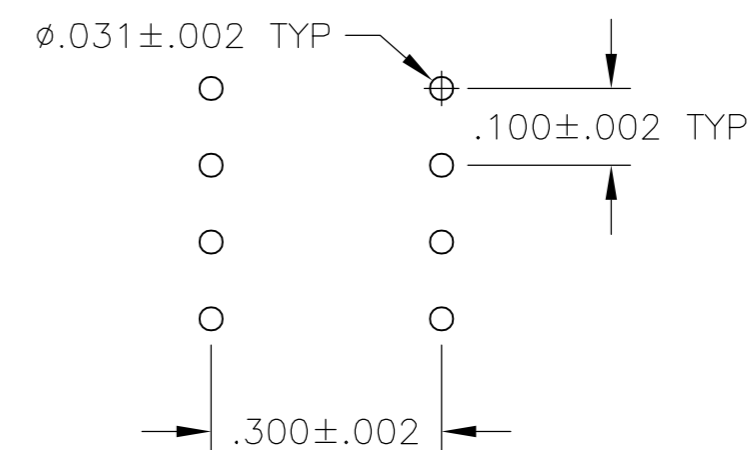
RECOMMENDED PAD LAYOUT  
SURFACE MOUNT  
"S" TERMINATION



RECOMMENDED PAD LAYOUT  
SURFACE MOUNT  
"SA" TERMINATION



RECOMMENDED PAD LAYOUT  
SURFACE MOUNT  
"SB" TERMINATION



RECOMMENDED HOLE LAYOUT

THIS DRAWING IS A CONTROLLED DOCUMENT.		DWN R BROWN 10DEC02	Tyco Electronics Corporation Harrisburg, PA	
DIMENSIONS: INCHES		CHK M SARVER 10DEC02		
TOLERANCES UNLESS OTHERWISE SPECIFIED:		APVD M SARVER 10DEC02	NAME DIP SWITCH ASSEMBLY ADP/PA SERIES	
0 PLC ± - 1 PLC ± - 2 PLC ± - 3 PLC ± .010 4 PLC ± - ANGLES ± 1° FINISH -		PRODUCT SPEC -	SIZE A2	CAGE CODE 00779
MATERIAL -		WEIGHT -	DRAWING NO C=2-1437587-6	RESTRICTED TO -
		CUSTOMER DRAWING	SCALE 4:1	SHEET 2 OF 3
			REV F1	

THIS DRAWING IS UNPUBLISHED. RELEASED FOR PUBLICATION  
 © COPYRIGHT BY TYCO ELECTRONICS CORPORATION. ALL RIGHTS RESERVED.

LOC	DIST	REVISIONS					
AD	00	P	LTR	DESCRIPTION	DATE	DWN	APVD
		-		SEE SHEET 1	-	-	-

COMMENTS	PACKAGING	Dim "L"	Poles	ALCO P/N	TYCO P/N
	TUBE	0.278	2	ADP02	1-1437587-1
	TUBE	0.278	2	ADPA02	4-1437587-7
	TUBE	0.278	2	ADP02S	1-1437587-2
	TUBE	0.278	2	ADPA02S	147713-1
	TUBE	0.278	2	ADP02SA	1-1437587-3
	TUBE	0.278	2	ADPA02SA	
	TAPE & REEL	0.278	2	ADP02STR	1571546-2
NOTE 12	TAPE & REEL	0.278	2	ADP02STRDN	1-1437587-4
	TUBE	0.478	4	ADP04	1-1437587-5
	TUBE	0.478	4	ADPA04	4-1437587-8
	TUBE	0.478	4	ADP04S	1-1437587-7
	TUBE	0.478	4	ADPA04S	5-1437587-0
	TUBE	0.478	4	ADP04SA	1-1437587-8
	TUBE	0.478	4	ADPA04SA	5-1437587-1
	TAPE & REEL	0.478	4	ADP04STR	1571546-3
NOTE 12	TAPE & REEL	0.478	4	ADP04STRDN	1-1437587-9
	TUBE	0.578	5	ADP05	2-1437587-0
	TUBE	0.578	5	ADPA05	5-1437587-2
	TUBE	0.578	5	ADP05S	2-1437587-1
	TUBE	0.578	5	ADPA05S	5-1437587-3
	TUBE	0.578	5	ADP05SA	
	TUBE	0.578	5	ADPA05SA	
	TAPE & REEL	0.578	5	ADP05STR	1571546-4
NOTE 12	TAPE & REEL	0.578	5	ADP05STRDN	
	TUBE	0.678	6	ADP06	2-1437587-2
	TUBE	0.678	6	ADPA06	5-1437587-4
	TUBE	0.678	6	ADP06S	2-1437587-3
	TUBE	0.678	6	ADPA06S	5-1437587-5
	TUBE	0.678	6	ADP06SA	2-1437587-4
	TUBE	0.678	6	ADPA06SA	5-1437587-6
	TAPE & REEL	0.678	6	ADP06STR	1571546-1
NOTE 12	TAPE & REEL	0.678	6	ADP06STRDN	
	TUBE	0.778	7	ADP07	2-1437587-5
	TUBE	0.778	7	ADPA07	5-1437587-7
	TUBE	0.778	7	ADP07S	
	TUBE	0.778	7	ADPA07S	
	TUBE	0.778	7	ADP07SA	
	TUBE	0.778	7	ADPA07SA	
	TAPE & REEL	0.778	7	ADP07STR	
NOTE 12	TAPE & REEL	0.778	7	ADP07STRDN	
	TUBE	0.878	8	ADP08	2-1437587-6
	TUBE	0.878	8	ADPA08	5-1437587-8
	TUBE	0.878	8	ADP08S	2-1437587-8
	TUBE	0.878	8	ADPA08S	6-1437587-0
	TUBE	0.878	8	ADP08SA	2-1437587-9
	TUBE	0.878	8	ADPA08SA	
	TAPE & REEL	0.878	8	ADP08STR	1571380-1
NOTE 12	TAPE & REEL	0.878	8	ADP08STRDN	
	TUBE	0.978	9	ADP09	3-1437587-0
	TUBE	0.978	9	ADPA09	
	TUBE	0.978	9	ADP09S	
	TUBE	0.978	9	ADPA09S	
	TUBE	0.978	9	ADP09SA	3-1437587-1
	TUBE	0.978	9	ADPA09SA	
	TAPE & REEL	0.978	9	ADP09STR	3-1437587-2
NOTE 12	TAPE & REEL	0.978	9	ADP09STRDN	
	TUBE	1.078	10	ADP010	3-1437587-3
	TUBE	1.078	10	ADPA010	6-1437587-1
	TUBE	1.078	10	ADP010S	3-1437587-6
	TUBE	1.078	10	ADPA010S	
	TUBE	1.078	10	ADP010SA	
	TUBE	1.078	10	ADPA010SA	
	TAPE & REEL	1.078	10	ADP010STR	1571350-1
NOTE 12	TAPE & REEL	1.078	10	ADP010STRDN	

THIS DRAWING IS A CONTROLLED DOCUMENT.		DWN R BROWN	10DEC02	Tyco Electronics Corporation Harrisburg, PA	
DIMENSIONS: INCHES		CHK M SARVER	10DEC02	NAME DIP SWITCH ASSEMBLY ADP/PA SERIES	
TOLERANCES UNLESS OTHERWISE SPECIFIED:		APVD M SARVER	10DEC02	PRODUCT SPEC	
0 PLC ± - 1 PLC ± - 2 PLC ± - 3 PLC ± .010 4 PLC ± - ANGLES ± 1°		APPLICATION SPEC		RESTRICTED TO	
MATERIAL		WEIGHT		SIZE A2	CAGE CODE 00779
FINISH		CUSTOMER DRAWING		DRAWING NO C=2-1437587-6	
		SCALE 4:1		SHEET 3 OF 3	
				REV F1	