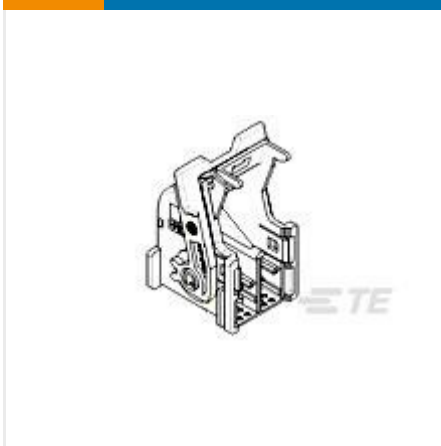




CONNECTORS

AUTOMOTIVE CONNECTOR CAPS & COVERS



✓ Active

TE CONNECTIVITY (TE)

40W MQS COVER ASSY (15d)

MQS

953122-4

TE Internal Number: 953122-4

EU RoHS Compliant

EU ELV Compliant

Connector System Wire-to-Board, Wire-to-Component

Accessory Type Cover Assembly

Cable Exit Angle 15

Strain Relief With

Color Blue

↓ **PRODUCT DRAWING**
English

↓ **3D PDF**

DOCUMENTATION

Product Drawings

ASSEMBLY COVER 40 WAY MQS CABLE-LOCKING AT 15 DEG.

PDF

English

CAD Files

Customer View Model

3D_IGS.ZIP

English

Customer View Model

3D_STP.ZIP

English

Customer View Model

2D_DXF.ZIP

English

3D PDF

PDF

English

Product Specifications

Product Specification

PORTE-CLIPS MQS 40 VOIES

PDF

French

Instruction Sheets

Instruction Sheet (non U.S.)

RECOMMANDATIONS GENERALES D'UTILISATION PORTE-CLIPS 40 VOIES MQS

PDF

French

FEATURES



Please review product documents or [contact us](#) for the latest agency approval information.

Please Note: Use the Product Drawing for all design activity.

Product Type Features

Connector System Wire-to-Board, Wire-to-Component

Accessory Type Cover Assembly

Strain Relief With

Sealed No

Configuration Features

Number of Positions 40

Body Features

Cable Exit Angle 15

Color Blue

Material PBT GF

Usage Conditions

Operating Temperature (Max) (°C) 85, 90, 100

Operating Temperature (Max) (°F) 185, 194, 212

Operating Temperature Range -40 – 100 °C [-40 – 212 °F]

Packaging Features

Packaging Method Box

Packaging Quantity 180

Statement of Compliance

Statement of Compliance

PDF