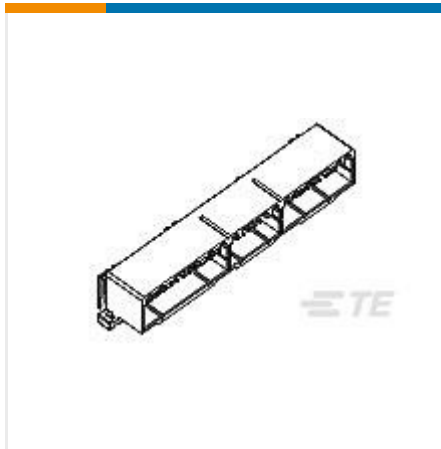




CONNECTORS

AUTOMOTIVE, TRUCK, BUS, & OFF-ROAD HEADERS



✓ Active

TE CONNECTIVITY (TE)

040/070 HYBRID CAP ASSY 64P

Multilock .040 , Multilock .070 , Multilock Connector System

178764-1

TE Internal Number: 178764-1

EU RoHS Compliant

EU ELV Compliant

Tab Width (mm) 1, 1.8

Tab Width (in) .039, .071

Tab Thickness .64 mm [.025 in]

Centerline (Pitch) (in) .118, .138

Pitch (mm) 3, 3.5

Circuit Application Signal

[↓ PRODUCT DRAWING](#)
Japanese

[↓ 3D PDF](#)

DOCUMENTATION

Product Drawings

64POS CAP HOUSING ASSY .040/.070 SERIES HYBRID I/O CONN.

PDF

Japanese

CAD Files

Customer View Model

3D_IGS.ZIP

English

Customer View Model

3D_STP.ZIP

English

Customer View Model

2D_DXF.ZIP

English

3D PDF

PDF

English

Product Specifications

Product Specification

.040/.070 Hybrid I/O Conn. For Printed Circuit Board

PDF

Japanese

.040II/.070II Hybrid I/O Connector MK-II For Wire-To-Board Termination

PDF

Japanese

040II/070II Hybrid I/O Connector MK-II For Wire-TO-Board Termination

PDF

Japanese

.040II/.070II Hybrid I/O Connector MK-II For Wire-To-Board Termination

PDF

Japanese

Application Specification

MULTILOCK 040/070 And 070/250 Series Hybrid Connectors

PDF

English

Product Environmental Compliance

TE Material Declaration

MD_178764-1_10282016107_dmtec

PDF

English

Instruction Sheets

Customer Manual (non U.S.)

.040/.070 HYBRID I/O MK-II CONNECTOR

PDF

Japanese

FEATURES



Please review product documents or [contact us](#) for the latest agency approval information.

Please Note: Use the Product Drawing for all design activity.

Product Type Features

Sealed No
Hybrid Header Yes
Shielded No

Configuration Features

Number of Circuits 64
Number of Rows 2
Number of Sections 3
Number of Signal Positions 64

Electrical Characteristics

Nominal Voltage Architecture (V) 12
Voltage Rating (Max) (VDC) 12
Operating Voltage (VDC) 12

Body Features

Color White

Contact Features

Tab Width (mm) 1, 1.8
Tab Width (in) .039, .071
Tab Thickness .64 mm [.025 in]
Interface Plating Tin (Sn)

Termination Features

Termination Method Through Hole - Solder

Mechanical Attachment

Mounting Orientation Horizontal/90°
Panel Mount Retention Without
PCB Mount Retention Type Mounting Holes
Mounting Holes With
PCB Mount Alignment Without
Locking Interface With
PCB Mount Retention With

Housing Features

Centerline (Pitch) (in) .118, .138
Pitch (mm) 3, 3.5

Dimensions

Profile Height from PCB 21.9 mm [.862 in]
Width 117.8 mm [4.638 in]
PCB Thickness (Recommended) (mm) 1.6
Length 25.8 mm [1.016 in]

Usage Conditions

Operating Temperature (Max) (°C) 65, 70, 75, 80, 85, 90, 100, 105

Operating Temperature (Max) (°F) 149, 158, 167, 176, 185, 194, 212, 221

Operating Temperature Range -30 – 105 °C [-22 – 221 °F]

Operation/Application

Circuit Application Signal

Industry Standards

UL Flammability Rating UL 94-HB

Degree of Protection other

Packaging Features

Packaging Type Tube

Packaging Quantity 4

Statement of Compliance

Statement of Compliance

PDF