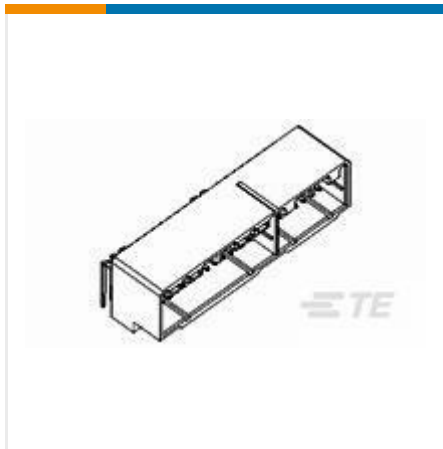




175446-6



✓ Active

TE CONNECTIVITY (TE)

## HYBRID I/O CAP ASSY 42P

175446-6

TE Internal Number: 175446-6

EU RoHS Compliant

EU ELV Compliant

↓ **PRODUCT DRAWING**  
Japanese

↓ **3D PDF**

### DOCUMENTATION

Product Drawings

#### **42POSITION CAP HOUSING ASSY 040/070 SERIES HYBRID I/O CONNECTOR**

PDF

**Japanese**

CAD Files

#### **Customer View Model**

3D\_IGS.ZIP

**English**

#### **3D PDF**

PDF

**3D**

#### **Customer View Model**

3D\_STP.ZIP

**English**

#### **Customer View Model**

2D\_DXF.ZIP

**English**

## Product Specifications

Product Specification

### **.040/.070 Hybrid I/O Conn. For Printed Circuit Board**

PDF

**Japanese**

### **.040II/.070II Hybrid I/O Connector MK-II For Wire-To-Board Termination**

PDF

**Japanese**

### **.040II/.070II Hybrid I/O Connector MK-II For Wire-To-Board Termination**

PDF

**Japanese**

### **040II/070II Hybrid I/O Connector MK-II For Wire-TO-Board Termination**

PDF

**Japanese**

Application Specification

### **MULTILOCK 040/070 And 070/250 Series Hybrid Connectors**

PDF

**English**

---

## Instruction Sheets

Customer Manual (non U.S.)

### **HYBRID I/O CONNECTOR**

TIF

**English**

### **HYBRID I/O CONNECTOR**

PDF

**English**

### **HYBRID I/O CONNECTOR**

TIF

**English**

### **HYBRID I/O CONNECTOR**

PDF

**English**

### **.040/.070 HYBRID I/O MK-II CONNECTOR**

PDF

**Japanese**

## **FEATURES**



Please review product documents or [contact us](#) for the latest agency approval information.

Please Note: Use the Product Drawing for all design activity.

---

Detailed product features are not currently available online.

Statement of Compliance

**Statement of Compliance**

PDF