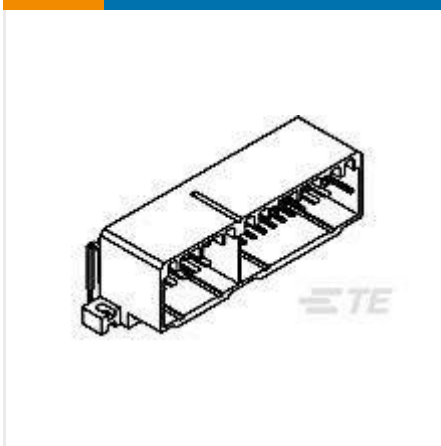




CONNECTORS

AUTOMOTIVE, TRUCK, BUS, & OFF-ROAD HEADERS



✓ Active

TE CONNECTIVITY (TE)

070 MLC 24P CAP ASSY NATURAL

Multilock .070 , Multilock Connector System

173864-1

TE Internal Number: 173864-1

EU RoHS Compliant

EU ELV Compliant

Tab Width 1.8 mm [.071 in]

Tab Thickness .64 mm [.025 in]

Centerline (Pitch) (in) .138

Pitch (mm) 3.5

Circuit Application Signal

[↓ PRODUCT DRAWING](#)
Japanese

[↓ 3D PDF](#)

DOCUMENTATION

Product Drawings

070 SERIES MULTI-LOCK I/O CONNECTOR 24POSITION CAP HOUSING ASSEMBLY

PDF

Japanese

CAD Files

Customer View Model

2D_DXF.ZIP

English

Customer View Model

3D_IGS.ZIP

English

Customer View Model

3D_STP.ZIP

English

3D PDF

PDF

English

Product Specifications

Product Specification

.070 Series MULTILOCK I/O Connector (MLC) For PCB

PDF

Japanese

.070 Series Multilock I/O Connector (MLC) MK-II For P.C.B.

TIF

Japanese

.070 Series Multilock I/O Connector (MLC) MK-II For P.C.B.

PDF

Japanese

Qualification Test Report

.070 Multi-Lock Connector (Wire To P.CB Type)

PDF

Japanese

Product Environmental Compliance

TE Material Declaration

MD_173864-1_07282015017_dmtec

PDF

English

FEATURES



Please review product documents or [contact us](#) for the latest agency approval information.

Please Note: Use the Product Drawing for all design activity.

Product Type Features

Sealed No

Hybrid Header No

Shielded No

Configuration Features

Number of Circuits 24

Number of Rows 2

Number of Sections 2

Number of Signal Positions 24

Electrical Characteristics

Nominal Voltage Architecture (V) 12

Voltage Rating (Max) (VDC) 12

Operating Voltage (VDC) 12

Body Features

Color White

Contact Features

Tab Width 1.8 mm [.071 in]

Tab Thickness .64 mm [.025 in]

Interface Plating Tin (Sn)

Termination Features

Termination Method Through Hole - Solder

Mechanical Attachment

Mounting Orientation Horizontal/90°

Panel Mount Retention Without

PCB Mount Retention Type Mounting Holes

Mounting Holes With

PCB Mount Alignment Without

Locking Interface With

PCB Mount Retention Without

Housing Features

Centerline (Pitch) (in) .138

Pitch (mm) 3.5

Dimensions

Profile Height from PCB 15.8 mm [.622 in]

Width 78.6 mm [3.094 in]

PCB Thickness (Recommended) (mm) 1.6

Length 24.92 mm [.981 in]

Usage Conditions

Operating Temperature (Max) (°C) 65, 70, 75, 80, 85, 90, 100, 105

Operating Temperature (Max) (°F) 149, 158, 167, 176, 185, 194, 212, 221

Operating Temperature Range -30 – 105 °C [-22 – 221 °F]

Operation/Application

Circuit Application Signal

Industry Standards

UL Flammability Rating UL 94-HB

Degree of Protection other

Packaging Features

Packaging Type Tube
Packaging Quantity 30

Statement of Compliance

Statement of Compliance

PDF