



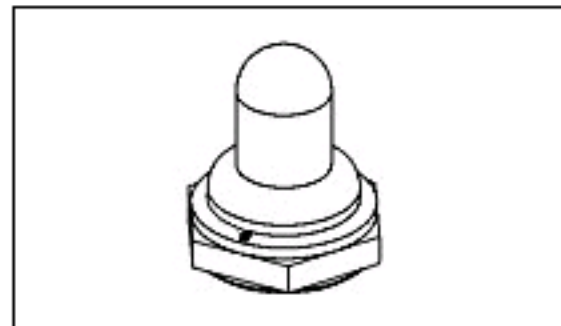
Search bar: What can we help you find?

- Products
- Industries
- Resources
- About TE
- My Account
- Innovation
- Support Center

Home > Products > Switches & Knobs > Product Feature Selector > Product Details

1825602-1 Product Details

Share | Print | Email



1825602-1
 (B1532004)
 TE Internal Number: 1825602-1
 Active

Hardware and Accessories for Mechanical Switches

Always EU RoHS/ELV Compliant (Statement of Compliance)

Product Highlights:

- Accessory Type = Toggle Switch Boot Seal
- Thread Size = 15/32-32
- Color = Black
- Used With Switch Type Toggle Switch
- RoHS compliant, ELV compliant

[View all Features](#)

- [Add to My Part List](#)
- [Request Sample](#)
- [Find Similar Products](#)
- [Buy Product](#)

Quick Links

- Pricing & Availability
- Search for Tooling
- Product Feature Selector
- Contact Us About This Product

Documentation & Additional Information

Product Drawings:

- [15/32-32 TOGGLE SWITC H BOOT SEAL \(PDF, English\)](#)

Catalog Pages/Data Sheets:

- None Available

Product Specifications:

- None Available

Application Specifications:

- None Available

Instruction Sheets:

- None Available

CAD Files:

- None Available

Related Products:

- [Tooling](#)

[List all Documents](#)

Product Features (Please use the Product Drawing for all design activity)

Product Type Features:

- Accessory Type = Toggle Switch Boot Seal
- Thread Size = 15/32-32
- Color = Black

Configuration Features:

- Used With Switch Type = Toggle Switch

Industry Standards:

- [RoHS/ELV Compliance](#) = RoHS compliant, ELV compliant
- [Lead Free Solder Processes](#) = Not relevant for lead free process
- [RoHS/ELV Compliance History](#) = Always was RoHS compliant

Other:

- Brand = Alcoswitch

Corporate Information

- [About TE](#)
- [Investors](#)
- [News Room](#)
- [Supplier Portal](#)
- [Careers](#)
- [Terms & Conditions](#)
- [Privacy Policy](#)

Quick Links

- [Distributor Inventory](#)
- [Product Cross Reference](#)
- [Documents & Drawings](#)
- [Product Compliance Support Center](#)
- [Site Map](#)

Customer Support

- [Email or Chat With Us](#)
- [Find a Phone Number](#)
- [Knowledge Base](#)
- [Manage Your Account](#)

Keep Me Informed

