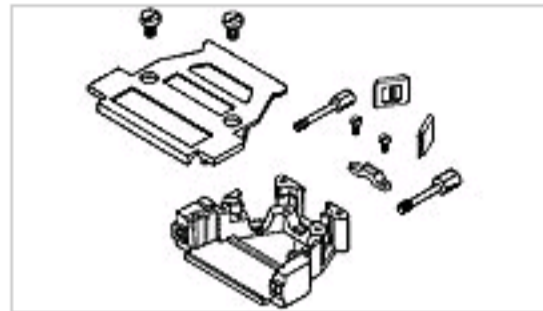


828276-5 Product Details

[Share](#) | [Print](#) | [Email](#)


Cable Clamps

COVER FOR HD-20 SIZE 1 SHIELDE
828276-5
 TE Internal Number: 828276-5

! Pending Obsolescence
 Search for Replacement Parts
[View 3D PDF](#)

- Product Highlights** [View All](#)
- Backshell/Cable Clamp
 - Cable Clamp Type = Two-Piece RFI/EMI Shield
 - 180° Cable Exit Angle
 - Cable Insulation Diameter = 7.00 mm
 - 9 Positions

- [Pricing & Availability](#)
- [Request Sample](#)
- [Add to My Part List](#)
- [Buy Product through Distributor](#)

Feedback

[Documents](#) | [Features](#) | [Compliance](#)

Please Note:
 Use the Product Drawing for all design activity

| Product Type Features | |
|-------------------------------------|---------------------------|
| Product Type | Backshell/Cable Clamp |
| Cable Clamp Type | Two-Piece RFI/EMI Shield |
| Shell Size | 1 |
| Screws and Retainer Clips | With |
| Grommets | Without |
| Slide Latch | Without |
| Thread Size | 4-40 |
| Dimensions | |
| Cable Insulation Diameter (mm [in]) | 7.00 [0.276] |
| Body Features | |
| Cable Exit Angle | 180° |
| Cable Clamp Material | Polycarbonate |
| Shield Plating | Bright Nickel over Copper |
| Cover Flammability Rating | UL 94V-0 |

| Configuration Features | |
|-----------------------------|------------------------------------|
| Number of Positions | 9 |
| Shielded | Yes |
| Industry Standards | |
| RoHS/ELV Compliance | RoHS compliant, ELV compliant |
| Lead Free Solder Processes | Not relevant for lead free process |
| RoHS/ELV Compliance History | Always was RoHS compliant |
| Packaging Features | |
| Packaging Method | Individual Kit |
| Other | |
| Brand | AMP |

Related Products

Not quite the product you're looking for?
[Find Similar Products](#)

[View Part in Product Feature Selector](#)

[Check for Tooling](#)