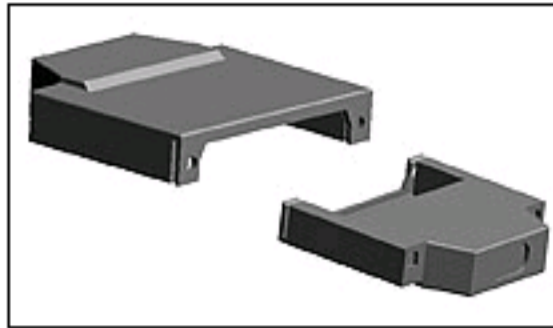




5788362-1 Product Details

[Share](#) | [Print](#) | [Email](#)


5788362-1

TE Internal Number: 5788362-1

Active

View 3D PDF

0.8 [.031] Accessories

Always EU RoHS/ELV Compliant (Statement of Compliance)

Product Highlights:

- Accessory Type = Backshell Kit
- 68 Positions
- Without Jackscrew Fastener
- Without Squeeze-To-Release
- Packaging Method = Bulk

[View all Features](#)

Quick Links

- ▶ [Check Pricing & Availability](#)
- ▶ [Search for Tooling](#)
- ▶ [Product Feature Selector](#)
- ▶ [Contact Us About This Product](#)

[Add to My Part List](#) | [Request Sample](#) | [Find Similar Products](#) | [Buy Product](#)

Documentation & Additional Information

Product Drawings:

- [BACKSHELL KIT, UNASSEMBLED, 68 POSN, CHAMP 0.8mm \(PDF, English\)](#)

Catalog Pages/Data Sheets:

- None Available

Product Specifications:

- [Connector, 0.8mm CHAMP \(PDF, English\)](#)

Application Specifications:

- [CHAMP 0.8 mm Cable and Printed Circuit \(PC\) Board Co... \(PDF, English\)](#)

Instruction Sheets:

- [Tooling Kit 768900-4 \(PDF, English\)](#)
- [Mass Termination Tooling Assembly 543580-1 & Cutter ... \(PDF, English\)](#)
- [Manual Arbor Frame Assembly 91085-2 \(PDF, English\)](#)

CAD Files: (CAD Format & Compression Information)

- [2D Drawing \(DXF, Version A\)](#)
- [3D Model \(IGES, Version A\)](#)
- [3D Model \(STEP, Version A\)](#)

[List all Documents](#)

Additional Information:

- [Product Line Information](#)

Related Products:

- [Tooling](#)

Product Features (Please use the Product Drawing for all design activity)

Product Type Features:

- Accessory Type = Backshell Kit

Mechanical Attachment:

- Jackscrew Fastener = Without
- Squeeze-To-Release = Without

Body Features:

- Backshell Plating = Nickel over Copper

Configuration Features:

- Number of Positions = 68

Industry Standards:

- [RoHS/ELV Compliance](#) = RoHS compliant, ELV compliant
- [Lead Free Solder Processes](#) = Not relevant for lead free process
- [RoHS/ELV Compliance History](#) = Always was RoHS compliant

Packaging Features:

- [Packaging Method](#) = Bulk
- [Packaging Quantity](#) = 150

Product Availability:

- [Region](#) = Americas

Other:

- [Brand](#) = AMP

Corporate Information

[About TE](#)
[Investors](#)
[News Room](#)
[Supplier Portal](#)
[Careers](#)
[Terms & Conditions](#)
[Privacy Policy](#)

Quick Links

[Check Distributor Inventory](#)
[Cross Reference Products](#)
[Find Documents & Drawings](#)
[Product Compliance Support Center](#)
[Site Map](#)

Customer Support

[Email or Chat With Us](#)
[Find a Phone Number](#)
[Search Knowledge Base](#)
[Manage Your Account](#)

Keep Me Informed

Receive TE News, Events & Technology Updates

[>](#)

