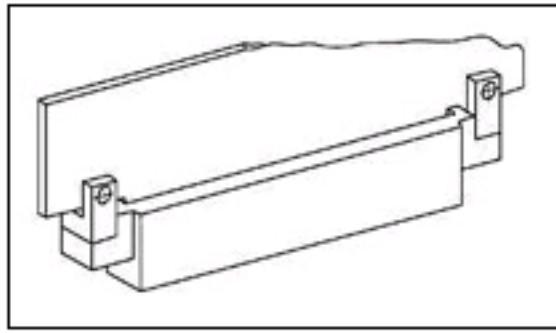


5-531250-4 Product Details

[Share](#) | [Print](#) | [Email](#)


5-531250-4

TE Internal Number: 5-531250-4

Active

[View 3D PDF](#)

Standard Edge II Card Edge & Power Connectors

Always EU RoHS/ELV Compliant (Statement of Compliance)

Product Highlights:

- Accessory
- Accessory Type = Mounting Block
- Product Series = Standard Edge II
- Type of Connector = Card Extender
- Without Retention Latch

[View all Features](#)

Quick Links

- ▶ [Check Pricing & Availability](#)
- ▶ [Search for Tooling](#)
- ▶ [Product Feature Selector](#)
- ▶ [Contact Us About This Product](#)

[Add to My Part List](#) | [Request Sample](#) | [Find Similar Products](#) | [Buy Product](#)

Documentation & Additional Information

Product Drawings:

- [BOARD RETAINER, CARD EDGE, I/O CONN \(PDF, English\)](#)

Catalog Pages/Data Sheets:

- None Available

Product Specifications:

- [Connector, AMP-LEAF, .000030 Gold Plated Contacts, D... \(PDF, English\)](#)
- [Connector, AMP-LEAF, Phenolic or Thermoplastic Housing \(PDF, English\)](#)
- [Connector, AMP-LEAF, Tin Plated Contact \(PDF, English\)](#)

Application Specifications:

- None Available

Instruction Sheets:

- None Available

CAD Files: (CAD Format & Compression Information)

- [2D Drawing \(DXF, Version J\)](#)
- [3D Model \(IGES, Version J\)](#)
- [3D Model \(STEP, Version J\)](#)

Related Products:

- [Tooling](#)

[List all Documents](#)

Product Features (Please use the Product Drawing for all design activity)

Product Type Features:

- Product Type = Accessory
- Accessory Type = Mounting Block
- Product Series = Standard Edge II
- Type of Connector = Card Extender

Body Features:

- Retention Latch = Without
- Body Material = Nylon

Configuration Features:

- Positions Unloaded = None

Industry Standards:

- [RoHS/ELV Compliance](#) = RoHS compliant, ELV compliant
- [Lead Free Solder Processes](#) = Not relevant for lead free process
- [RoHS/ELV Compliance History](#) = Always was RoHS compliant

Identification Marking:

- Keyed Position = 0

Other:

- Brand = AMP
- Comment = Each kit includes 2 mounting blocks; 2 self tapping screws, #5 x 11.10 [.437]; 2 roll pins, 1.57 x6.35 [.075 x .250].

Corporate Information

- [About TE](#)
- [Investors](#)
- [News Room](#)
- [Supplier Portal](#)
- [Careers](#)
- [Terms & Conditions](#)
- [Privacy Policy](#)

Quick Links

- [Check Distributor Inventory](#)
- [Cross Reference Products](#)
- [Find Documents & Drawings](#)
- [Product Compliance Support Center](#)
- [Site Map](#)

Customer Support

- [Email or Chat With Us](#)
- [Find a Phone Number](#)
- [Search Knowledge Base](#)
- [Manage Your Account](#)

Keep Me Informed

Receive TE News, Events & Technology Updates

[>](#)

