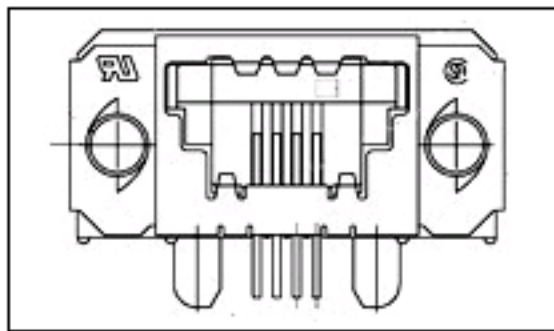


## 5-1761190-1 Product Details

[Share](#) | [Print](#) | [Email](#)


5-1761190-1

TE Internal Number: 5-1761190-1  
✔ Active

[View 3D PDF](#)

### SDL (Shielded Data Link)

✔ Always EU RoHS/ELV Compliant (Statement of Compliance)

#### Product Highlights:

- Connector
- Receptacle
- Receptacle Configuration = Standard
- Number of Conductors = 4
- Keying = E

[View all Features](#)

#### Quick Links

- ▶ [Pricing & Availability](#)
- ▶ [Search for Tooling](#)
- ▶ [Product Feature Selector](#)
- ▶ [Contact Us About This Product](#)

[Add to My Part List](#) | 
 [Request Sample](#) | 
 [Find Similar Products](#) | 
 [Buy Product](#)

### Documentation & Additional Information

#### Product Drawings:

- [RECEPTACLE ASSEMBLY, 4 POSITION, SIDE ENTRY WITH GRO...](#) (PDF, English)

#### Catalog Pages/Data Sheets:

- None Available

#### Product Specifications:

- [SDL Systemj Connector](#) (PDF, English)

#### Application Specifications:

- [SDL Top-Entry and Side-Entry Printed Circuit \(PC\) Bo...](#) (PDF, English)

#### Instruction Sheets:

- None Available

#### CAD Files: (CAD Format & Compression Information)

- [2D Drawing \(DXF, Version 02\)](#)
- [3D Model \(IGES, Version 02\)](#)
- [3D Model \(STEP, Version 02\)](#)

#### Additional Information:

- [Product Line Information](#)

#### Related Products:

- [Tooling](#)

[List all Documents](#)

### Product Features (Please use the Product Drawing for all design activity)

#### Product Type Features:

- [Product Type](#) = Connector
- [Gender](#) = Receptacle
- [Receptacle Configuration](#) = Standard
- [Grounding Options](#) = PCB and Panel Ground
- [PCB Mount Retention](#) = With
- [PCB Mount Retention Type](#) = Mounting Hole(s)
- [Shield Material](#) = Brass

#### Body Features:

- [Shield Plating](#) = Tin over Nickel

#### Contact Features:

- [Contact Base Material](#) = Phosphor Bronze
- [Contact Plating, Mating Area, Material](#) = Gold (50)

#### Housing Features:

- [Housing Entry Style](#) = Side
- [Housing Material](#) = Polyester
- [Housing Color](#) = Black
- [UL Flammability Rating](#) = UL 94V-0

#### Configuration Features:

- [Number of Conductors](#) = 4

#### Industry Standards:

- [RoHS/ELV Compliance](#) = RoHS compliant, ELV compliant
- [Lead Free Solder Processes](#) = Wave solder capable to 240°C, Wave solder capable to 260°C, Wave solder capable to 265°C
- [RoHS/ELV Compliance History](#) = Always was RoHS compliant

#### Identification Marking:

- [Keying](#) = E

#### Other:

- [Brand](#) = AMP
- [Comment](#) = Prefix no. designates key configuration. Suffix no. is a code for the number of conductors. Prefix & suffix nos. of plug assemblies must match those of the intended mating receptacle. Keys are molded in as an integral part of the plug & receptacle.

### Corporate Information

- [About TE](#)
- [Investors](#)
- [News Room](#)
- [Supplier Portal](#)
- [Careers](#)
- [Terms & Conditions](#)
- [Privacy Policy](#)

### Quick Links

- [Distributor Inventory](#)
- [Product Cross Reference](#)
- [Documents & Drawings](#)
- [Product Compliance Support Center](#)
- [Site Map](#)

### Customer Support

- [Email or Chat With Us](#)
- [Find a Phone Number](#)
- [Knowledge Base](#)
- [Manage Your Account](#)

### Keep Me Informed

