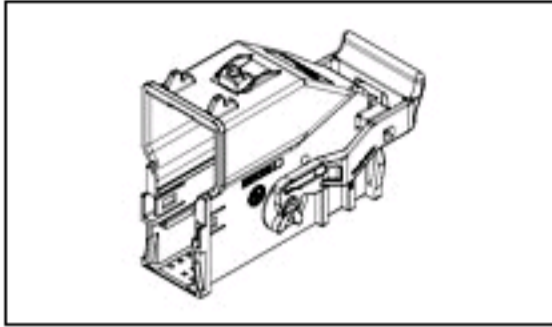



1924337-1 Product Details

[Share](#) | [Print](#) | [Email](#)


1924337-1

TE Internal Number: 1924337-1

 **Active**

 [View 3D PDF](#)

0.64 mm Connector Systems

 [Always ELV Compliant \(Statement of Compliance\)](#)

Product Highlights:

- Housing
- Generation Y 0.64 mm Series
- Housing Type = Shield
- Female
- 54 Positions

[View all Features](#)

Quick Links

- ▶ [Check Pricing & Availability](#)
- ▶ [Search for Tooling](#)
- ▶ [Product Feature Selector](#)
- ▶ [Contact Us About This Product](#)

 [Add to My Part List](#) |  [Request Sample](#) |  [Find Similar Products](#) |  [Buy Product](#)

Documentation & Additional Information

Product Drawings:

- [SHIELD ASSEMBLY, 54 POSITION, 0.64mm GENERATION Y, C...](#) (PDF, English)

Catalog Pages/Data Sheets:

- None Available

Product Specifications:

- None Available

Application Specifications:

- None Available

Instruction Sheets:

- [0.64mm Generation Y Lever-Assist Connectors \(LAC\) an...](#) (PDF, English)

CAD Files: ([CAD Format & Compression Information](#))

- [2D Drawing](#) (DXF, Version A1)
- [3D Model](#) (IGES, Version A1)
- [3D Model](#) (STEP, Version A1)

Related Products:

- [Tooling](#)

[List all Documents](#)

Product Features (Please use the Product Drawing for all design activity)

Product Type Features:

- Product Type = Housing
- Series = Generation Y 0.64 mm
- Gender = Female

Electrical Characteristics:

- Lever Color = Gray

Body Features:

- Number of Positions = 54
- Number of Rows = 3
- Wire Entry Angle = 90°

Housing Features:

- Housing Type = Shield
- Housing Material = Nylon 6/6
- Housing Color = Black

Configuration Features:

- Keying Arrangement = A, E

Industry Standards:

- [RoHS/ELV Compliance](#) = ELV compliant
- [Lead Free Solder Processes](#) = Not relevant for lead free process
- RoHS/ELV Compliance History = Always was ELV compliant

Other:

- Brand = Tyco Electronics

Corporate Information

- [Who We Are](#)
- [Investors](#)
- [News Room](#)
- [Supplier Portal](#)
- [Careers](#)

Quick Links

- [Check Distributor Inventory](#)
- [Cross Reference](#)
- [Find Documents & Drawings](#)
- [Product Compliance Support Center](#)
- [Site Map](#)

Customer Support

- [Email or Chat With Us](#)
- [Find a Phone Number](#)
- [Search Knowledge Base](#)
- [Manage your Account](#)

Keep Me Informed

Receive TE News, Events & Technology Updates



