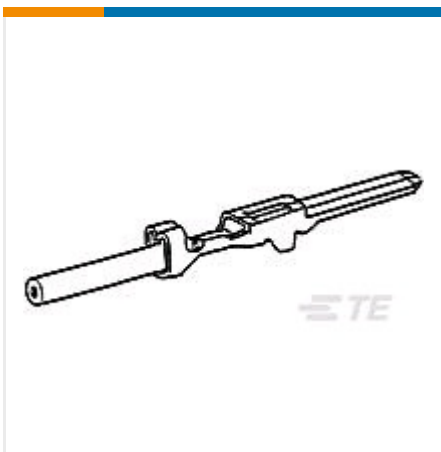




Need more information?

Detailed information about this product is not currently available on TE.com. [Contact us](#) for product documentation and for information about similar and replacement products.

CHAT NOW



✓ Active

TE CONNECTIVITY (TE)

070 SERIES TAB CONTACT

Multilock .040

282378-1

TE Internal Number: 282378-1

EU RoHS Compliant

EU ELV Compliant



PRODUCT DRAWING

English

DOCUMENTATION

Product Drawings

.070 SERIES MULTILOCK TAB CONTACT

PDF

English

Product Specifications

Application Specification

APPLICATION SPECIFICATION FOR 070 SR. MULTILOCK* TAB

TIF

English

APPLICATION SPECIFICATION FOR 070 SR. MULTILOCK* TAB

PDF

English

Product Specification

.070 MLC Frame For New Panel Instruments

PDF

English

.070 MLC Frame For New Panel Instruments

TIF

English

15 Pos. Hybrid Connector With Multilock .070 And .187 Series Contacts

PDF

English

15 Pos. Hybrid Connector With Multilock .070 And .187 Series Contacts

TIF

English

12 Position Door To Body

TIF

English

12 Position Door To Body

PDF

English

070 SERIES MULTILOCK CONNECTOR FOR W.T.W. APPLICATION

PDF

English

070 SERIES MULTILOCK CONNECTOR FOR W.T.W. APPLICATION

TIF

English

Qualification Test Report

.070 Multilock Frame For New Panel Instrument

PDF

English

.070 Multilock Frame For New Panel Instrument

TIF

English

FEATURES



Please review product documents or [contact us](#) for the latest agency approval information.

Please Note: Use the Product Drawing for all design activity.

Detailed product features are not currently available online.

PRODUCT COMPLIANCE



Statement of Compliance

Statement of Compliance

PDF
