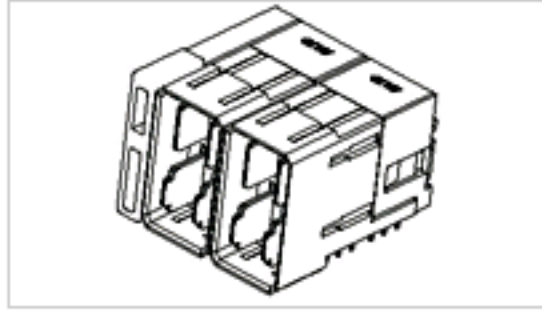




2180488-3 Product Details

[Share](#) | [Print](#) | [Email](#)


Preliminary

Impact High Density Backplane Connectors

IMP,PWR,4PR,HDR,L-HLD,1X,802-3,N/A

2180488-3

TE Internal Number: 2180488-3

Product Highlights [View All](#)

- Connector Style = Header
- 16/Power
- 32 Positions
- Header Type = Partially Shrouded
- Board-to-Board Configuration = Right Angle

- [Pricing & Availability](#)
- [Request Sample](#)
- [Add to My Part List](#)
- [Buy Product through Distributor](#)

Feedback

[Documents](#) | [Features](#) | [Compliance](#)

Please Note:

Use the Product Drawing for all design activity

Product Type Features		Configuration Features	
PCB Mount Retention Type	Action/Compliant Tail	Connector Contact Configuration (No. of Pos./Type)	16/Power
Electrical Characteristics		Number of Positions	32
Operating Voltage Reference	AC rms	Number of Columns	2
Operating Voltage (VAC)	250	Number of Rows	8
Dimensions		Tail Orientation	In-line
Stack Height (mm [in])	22.80 [0.897]	Industry Standards	
Tail Length (mm [in])	2.5 [0.098]	RoHS/ELV Compliance	RoHS compliant, ELV compliant
Length (X-Axis) (mm [in])	32.10 [1.2637]	Lead Free Solder Processes	Not relevant for lead free process
Width (Z-Axis) (mm [in])	11.00 [0.433]	RoHS/ELV Compliance History	Always was RoHS compliant
Profile Height (Y-Axis) (mm [in])	22.80 [0.8976]	UL Rating	Recognized
PCB Hole Diameter (mm [in])	0.725 [0.0285]	UL File Number	E28476
Body Features		UL Flammability Rating	UL 94V-0
Header Type	Partially Shrouded	CSA Certified	Yes
Contact Features		Environmental	
Contact Type	Pin	Operating Temperature (°C [°F])	-55 - +85 [-67 - +185]
Contact Length (mm [in])	6.90 [0.271]	Conditions for Usage	
Contact Plating, Termination Area, Material	Matte Tin	Board-to-Board Configuration	Right Angle
Contact Plating, Termination Area, Thickness (µm [µin])	2.54 [100]	Operation/Application	
Contact Base Material	Copper Alloy	Industry Application	Networking (Communications)
Underplate Material	Nickel	Packaging Features	
Underplate Material Thickness (µm [µin])	1.27 [50.000]	Packaging Method	Tray/Box
Housing Features		Other	
Connector Style	Header	Brand	TE Connectivity
Housing Color	Black		
Housing Material	LCP (Liquid Crystal Polymer)		

Related Products

Not quite the product you're looking for?

[Find Similar Products](#)

[View Part in Product Feature Selector](#)

[Check for Tooling](#)

Corporate Information

- [About TE](#)
- [Investors](#)
- [News Room](#)
- [Supplier Portal](#)
- [Careers](#)
- [Terms & Conditions](#)
- [Privacy Policy](#)
- [Global Accessibility Statement](#)

Quick Links

- [Distributor Inventory](#)
- [Product Cross Reference](#)
- [Documents & Drawings](#)
- [Product Compliance Support Center](#)
- [Site Map](#)

Customer Support

- [Email or Chat With Us](#)
- [Find a Phone Number](#)
- [Knowledge Base](#)
- [Manage Your Account](#)

Keep Me Informed

