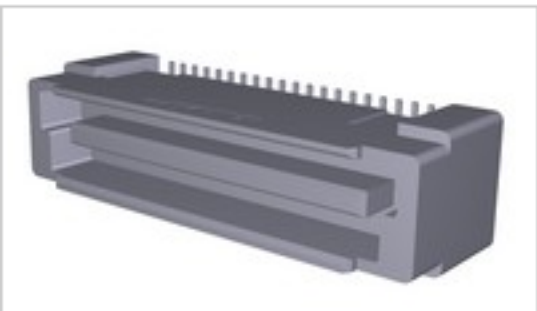


1735434-1 Product Details

[Share](#) | [Print](#) | [Email](#)


Active

0.8mm Free Height

0.8FH,P08H.5,040,08/Sn,TR,KT

1735434-1

TE Internal Number: 1735434-1

Product Highlights [View All](#)

- Connector Style = Plug
- 40 Positions
- PCB Mounting Orientation = Right Angle
- Board-to-Board Stack Height = 8.00 mm
- Gold over Palladium Nickel Contact Plating, Mating Area, Material

- [Pricing & Availability](#)
- [Request Sample](#)
- [Add to My Part List](#)
- [Buy Product through Distributor](#)

[Documents](#) | [Features](#) | [Compliance](#)

Related Products

Not quite the product you're looking for?
[Find Similar Products](#)

[View Part in Product Feature Selector](#)

[Check for Tooling](#)

Feedback

Please Note:
Use the Product Drawing for all design activity

Product Type Features	
PCB Mounting Orientation	Right Angle
Family Name	Free Height
Sealant	Without
Cover Material	Nickel, silver

Housing Features	
Connector Style	Plug
Housing Color	Natural
Housing Material	LCP GF30 (Liquid Crystal Polymer)
Housing Material Temperature	High

Dimensions	
Board-to-Board Stack Height (mm [in])	8.00 [0.315]
Height	8H

Configuration Features	
Number of Positions	40
Number of Rows	Dual

Body Features	
Locating Post(s)	With
Vacuum Cover	Without
Locating Post Length	0.5 mm

Industry Standards	
RoHS/ELV Compliance	RoHS compliant, ELV compliant
Lead Free Solder Processes	Reflow solder capable to 245°C, Reflow solder capable to 260°C
RoHS/ELV Compliance History	Always was RoHS compliant
UL Flammability Rating	UL 94V-0

Contact Features	
Contact Plating, Mating Area, Material	Gold over Palladium Nickel
Contact Base Material	Copper Alloy
Solder Tail Contact Plating	Matte Tin

Packaging Features	
Packaging Method	Tape & Reel

Other	
Brand	AMP

Corporate Information

[About TE](#)
[Investors](#)
[News Room](#)
[Supplier Portal](#)
[Careers](#)
[Terms & Conditions](#)
[Privacy Policy](#)
[Global Accessibility Statement](#)

Quick Links

[Distributor Inventory](#)
[Product Cross Reference](#)
[Documents & Drawings](#)
[Product Compliance Support Center](#)
[Site Map](#)

Customer Support

[Email or Chat With Us](#)
[Find a Phone Number](#)
[Knowledge Base](#)
[Manage Your Account](#)

Keep Me Informed

