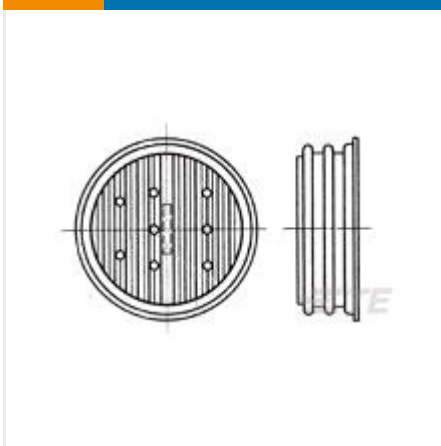




CONNECTORS

AUTOMOTIVE SEALS & CAVITY PLUGS



✓ Active

TE CONNECTIVITY (TE)

ECONOSEAL-J CONN RUBBER 8P

AMP | Econoseal , Econoseal J - Mark II

172193-1

TE Internal Number: 172193-1

Alias ID: 0-0172193-1

EU RoHS Compliant

EU ELV Compliant

Cable Insulation Diameter 2 – 3.4 mm [.079 – .1338 in]

Seal Type Facial Seal

Material Other

Color Black

Operating Temperature Range -30 – 105 °C [-22 – 221 °F]

[↓ PRODUCT DRAWING](#)
English

[↓ 3D PDF](#)

DOCUMENTATION

Product Drawings

Japan

PDF (TIFF AVAILABLE)

English

CAD Files

Customer View Model

2D_DXF.ZIP

English

3D PDF

PDF

3D

Customer View Model

3D_IGS.ZIP

English

Customer View Model

3D_STP.ZIP

English

Product Specifications

Product Specification

AMP-ECONOSEAL* Series "J" Connector

PDF

Japanese

Qualification Test Report

Econoseal-J Mark I Connector

TIF

English

Econoseal-J Mark I Connector

PDF

English

Product Environmental Compliance

TE Material Declaration

MD_172193-1_11202016150_dmtec

PDF

English

Instruction Sheets

Customer Manual (non U.S.)

AMP ECONOSEAL* SERIES "J" CONNECTOR

TIF

English

AMP ECONOSEAL* SERIES "J" CONNECTOR

PDF

English

AMP ECONOSEAL* SERIES "J" CONNECTOR

TIF

Japanese

AMP ECONOSEAL* SERIES "J" CONNECTOR

PDF

Japanese

FEATURES



Please review product documents or [contact us](#) for the latest agency approval information.

Please Note: Use the Product Drawing for all design activity.

Product Type Features

Seal Type Facial Seal

Body Features

Material Other

Color Black

Dimensions

Cable Insulation Diameter 2 – 3.4 mm [.079 – .1338 in]

Usage Conditions

Operating Temperature Range -30 – 105 °C [-22 – 221 °F]

Packaging Features

Packaging Method Bag

Packaging Quantity 500

PRODUCT COMPLIANCE



Statement of Compliance

Statement of Compliance

PDF
