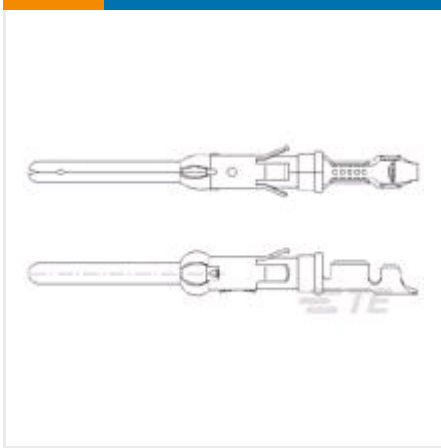




+ CONNECTORS

POWER CONTACTS



✓ Active

TE CONNECTIVITY (TE)

## M-SRS PIN ASSY 3+

AMP | Type III+

164839-2

TE Internal Number: 164839-2

EU RoHS Compliant

EU ELV Compliant

**Product Type** Contact

**Wire/Cable Size (AWG)** 18 – 15

**Wire/Cable Size (mm<sup>2</sup>)** .75 – 1.5

**Connector & Contact Terminates To** Wire & Cable

**Circuit Application** Signal

↓ **PRODUCT DRAWING**  
English

### DOCUMENTATION

Product Drawings

#### Loose Piece Pin Type 3+ Contact Size 16

PDF (TIFF AVAILABLE)

English

### FEATURES

Please review product documents or [contact us](#) for the latest agency approval information.

Please Note: Use the Product Drawing for all design activity.

Product Type Features

**Product Type** Contact  
**Connector & Contact Terminates To** Wire & Cable

---

#### Electrical Characteristics

**Test Current (A)** 13

---

#### Contact Features

**Contact Type** Pin  
**Contact Base Material** Phosphor Bronze  
**Contact Mating Area Plating Material** Gold  
**Contact Mating Area Plating Thickness (µin)** 30  
**Contact Termination Area Plating Material** Gold Flash  
**Contact Size** 16

---

#### Termination Features

**Wire/Cable Size (AWG)** 18 – 15  
**Wire/Cable Size (mm<sup>2</sup>)** .75 – 1.5  
**Termination Type** Crimp

---

#### Dimensions

**Accepts Wire Insulation Diameter Range** 2 – 2.5 mm [ .08 – 1 in ]

---

#### Operation/Application

**Circuit Application** Signal

---

#### Identification Marking

**Color Code** Blue

---

#### Packaging Features

**Packaging Method** Loose Piece

---

#### Other

**Wire Type** Regular Wire  
**Comment** Leading Pin (1.8mm longer than standard pins)

---

## PRODUCT COMPLIANCE



Statement of Compliance

**Statement of Compliance**

PDF

---