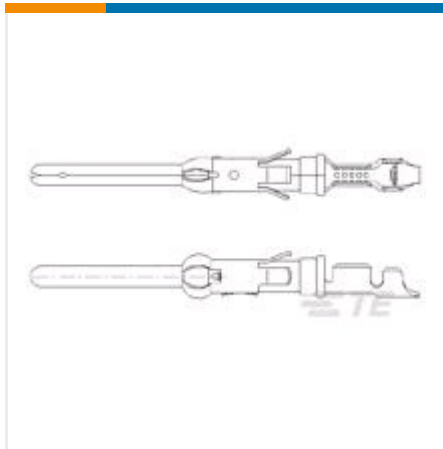




CONNECTORS

POWER CONTACTS



✓ Active

TE CONNECTIVITY (TE)

## .062 DIA PIN ASS 3+

AMP | Type III+

163085-2

TE Internal Number: 163085-2

EU RoHS Compliant

EU ELV Compliant

**Product Type** Contact

**Wire/Cable Size (AWG)** 24 – 20

**Wire/Cable Size (mm<sup>2</sup>)** .2 – .5

**Connector & Contact Terminates To** Wire & Cable

**Circuit Application** Signal

↓ **PRODUCT DRAWING**  
English

↓ **3D PDF**

### DOCUMENTATION

Product Drawings

#### **TYPE III+, SIZE 16, PIN ASS'Y 24-20 AWG, 1.1-1.8mm DIA INSULATION**

PDF

**English**

CAD Files

#### **Customer View Model**

3D\_STP.ZIP

**English**

#### **Customer View Model**

2D\_DXF.ZIP

**English**

## 3D PDF

PDF

3D

## Customer View Model

3D\_IGS.ZIP

English

## FEATURES



Please review product documents or [contact us](#) for the latest agency approval information.

Please Note: Use the Product Drawing for all design activity.

---

### Product Type Features

**Product Type** Contact

**Connector & Contact Terminates To** Wire & Cable

---

### Electrical Characteristics

**Test Current (A)** 13

---

### Contact Features

**Contact Type** Pin

**Contact Base Material** Brass

**Contact Mating Area Plating Material** Precious Metal

**Contact Mating Area Plating Thickness (µin)** 30

**Contact Size** 16

---

### Termination Features

**Wire/Cable Size (AWG)** 24 – 20

**Wire/Cable Size (mm<sup>2</sup>)** .2 – .5

**Termination Type** Crimp

---

### Dimensions

**Accepts Wire Insulation Diameter Range** 1.1 – 1.8 mm [ .045 – .071 in ]

---

### Operation/Application

**Circuit Application** Signal

---

### Identification Marking

**Color Code** Yellow

---

### Packaging Features

**Packaging Method** Reel

**Packaging Quantity** 5000

---

### Other

Wire Type Regular Wire

**PRODUCT COMPLIANCE**



Statement of Compliance

**Statement of Compliance**

PDF

---