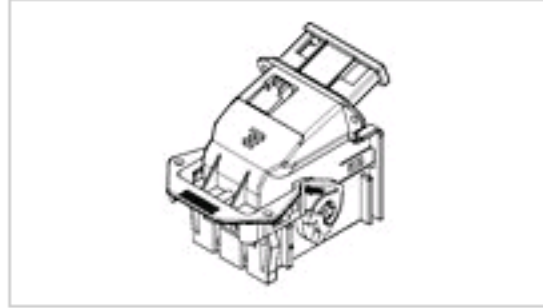




1326122-1 Product Details

[Share](#) | [Print](#) | [Email](#)


0.64 mm Connector Systems

52WAY LAC "SINGLE GEAR" SHIELD

1326122-1

TE Internal Number: 1326122-1

Active

View 3D PDF

Product Highlights [View All](#)

- Product Series = AMP 0.64 mm
- Wire-to-Wire
- Applies To Wire/Cable
- Backshell/Cable Clamp
- For Use With Receptacle: 1326042

[Pricing & Availability](#)

[Request Sample](#)

[Add to My Part List](#)

[Buy Product through Distributor](#)

Feedback

[Documents](#) | [Features](#) | [Compliance](#)

Please Note:
Use the Product Drawing for all design activity

Product Type Features	
Product Series	AMP 0.64 mm
Product Type	Backshell/Cable Clamp
Sealed	No

Mechanical Attachment	
Panel Mount Retention	Without
Mating Retention Type	Latch(ing)

Electrical Characteristics	
Operating Voltage Reference	DC

Body Features	
Cable Exit Angle	70°
Assembly Integration Feature	With
Assembly Integration Type	Lever
Mating Retention	With
Shield Color	Black

Contact Features	
Multiple Contact Types	Without
Contact Series	0.64

Housing Features	
Housing Material	Nylon - GF35
Centerline (mm [in])	2.54 [0.100]
Mating Alignment	With
Mating Alignment Type	Keyed

Configuration Features	
Number of Positions	52
Number of Rows	4
Strain Relief	Without

Industry Standards	
RoHS/ELV Compliance	ELV compliant
Lead Free Solder Processes	Not reviewed for lead free solder process
RoHS/ELV Compliance History	Always was ELV compliant
UL Flammability Rating	UL 94-HB

Identification Marking	
Keying	A, E

Environmental	
Operating Temperature (°C [°F])	-40 - +125 [-40 - +257]

Conditions for Usage	
Applies To	Wire/Cable
For Use With	Receptacle: 1326042

Operation/Application	
Application Use	Wire-to-Wire
Contact Transmits (Typical Application)	Signal

Packaging Features	
Packaging Method	Package
Packaging Quantity	1

Other	
Brand	TE Connectivity
Comment	Tested to 20mV @ 100mA

Related Products

Not quite the product you're looking for?
[Find Similar Products](#)

[View Part in Product Feature Selector](#)

[Check for Tooling](#)