

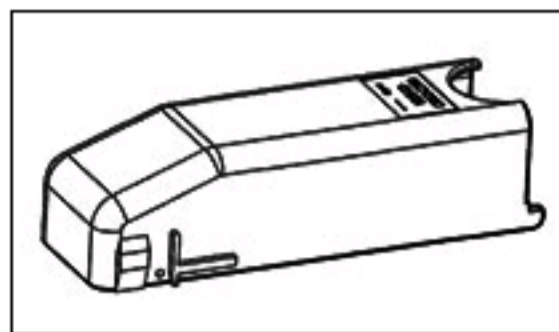


Search bar: What can we help you find?

Home > Products > Product Feature Selector > Product Details

1393454-7 Product Details

Share | Print | Email



1393454-7

TE Internal Number: 1393454-7

Active

View 3D PDF

Timer Connectors

Always EU RoHS/ELV Compliant (Statement of Compliance)

Product Highlights:

- Accessory
- Accessory Type = Backshell/Cable Clamp
- Type of Connector = 1.6/2.8, Hybrid Timer, JPT/Micro Timer 2
- 52 Positions
- PBT Material

[View all Features](#)

[Add to My Part List](#) | [Request Sample](#) | [Find Similar Products](#) | [Buy Product](#)

Quick Links

- ▶ [Pricing & Availability](#)
- ▶ [Search for Tooling](#)
- ▶ [Product Feature Selector](#)
- ▶ [Contact Us About This Product](#)

Documentation & Additional Information

Product Drawings:

- [52 pol. Abdeckkappe fur 80 pol. Motorstecker \(1\) \(PDF, English\)](#)
- [52 pol. Abdeckkappe fur 80 pol. Motorstecker \(2\) \(PDF, English\)](#)

Catalog Pages/Data Sheets:

- None Available

Product Specifications:

- None Available

Application Specifications:

- None Available

Instruction Sheets:

- None Available

CAD Files: (CAD Format & Compression Information)

- [2D Drawing \(DXF, Version A1\)](#)
- [3D Model \(IGES, Version A1\)](#)
- [3D Model \(STEP, Version A1\)](#)

[List all Documents](#)

Additional Information:

- [Product Line Information](#)

Related Products:

- [Tooling](#)

Product Features (Please use the Product Drawing for all design activity)

Product Type Features:

- Product Type = Accessory
- Accessory Type = Backshell/Cable Clamp
- Type of Connector = 1.6/2.8, Hybrid Timer, JPT/Micro Timer 2
- Color = Black

Body Features:

- Material = PBT
- Cable Exit Angle = 90°

Configuration Features:

- Number of Positions = 52

Industry Standards:

- [RoHS/ELV Compliance](#) = RoHS compliant, ELV compliant
- [Lead Free Solder Processes](#) = Not relevant for lead free process
- [RoHS/ELV Compliance History](#) = Always was RoHS compliant

Conditions for Usage:

- For Use With = MT-2/JPT Connector, 1393450-3

Other:

- Brand = AMP

Corporate Information

- [About TE](#)
- [Investors](#)
- [News Room](#)
- [Supplier Portal](#)
- [Careers](#)
- [Terms & Conditions](#)
- [Privacy Policy](#)

Quick Links

- [Distributor Inventory](#)
- [Product Cross Reference](#)
- [Documents & Drawings](#)
- [Product Compliance Support Center](#)
- [Site Map](#)

Customer Support

- [Email or Chat With Us](#)
- [Find a Phone Number](#)
- [Knowledge Base](#)
- [Manage Your Account](#)

Keep Me Informed

Receive TE News, Events & Technology Updates

Enter your email address

