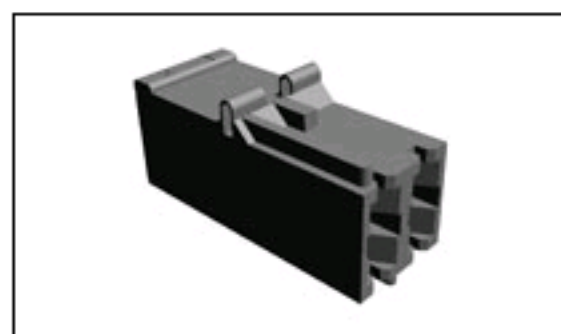




964768-2 Product Details



964768-2

TE Internal Number: 964768-2

Active

View 3D PDF

Standard Timer (AMP RAST 5 Appliance) Connectors

Always EU RoHS/ELV Compliant (Statement of Compliance)

Product Highlights:

- Applies To Wire/Cable
- Connector
- Housing
- Connector Style = Receptacle
- 5.00 mm Centerline

[View all Features](#)

Quick Links

- ▶ Pricing & Availability
- ▶ Search for Tooling
- ▶ Product Feature Selector
- ▶ Contact Us About This Product

[Add to My Part List](#) [Request Sample](#) [Find Similar Products](#) [Buy Product](#)

Documentation & Additional Information

Product Drawings:

- 2 POS.STANDARD TIMER HSG. (PDF, English)

Catalog Pages/Data Sheets:

- None Available

Product Specifications:

- None Available

Application Specifications:

- None Available

Instruction Sheets:

- None Available

CAD Files: (CAD Format & Compression Information)

- 2D Drawing (DXF, Version C4)
- 3D Model (IGES, Version C4)
- 3D Model (STEP, Version C4)

Additional Information:

- Product Line Information

Additional Product Images:

- Keying Options

Related Products:

- Tooling

[List all Documents](#)

Product Features (Please use the Product Drawing for all design activity)

Product Type Features:

- Product Type = Connector
- Connector Type = Housing
- Termination Method to Wire/Cable = Crimp
- Color = Gray
- Lock Type = None

Mechanical Attachment:

- Mating Retention Type = Locking

Body Features:

- Mating Retention = With
- Lock Style = Interior
- Locking Latch Between Cavity No. = None
- Keying Rib Between or At Cavity No. = 1&2
- Polarizing Rib Location = 2b
- RAST Version = None

Housing Features:

- Connector Style = Receptacle
- Centerline (mm [in]) = 5.00 [0.197]
- Mating Alignment = With
- Mating Alignment Type = Keying System

Configuration Features:

- Number of Positions = 2

Industry Standards:

- RoHS/ELV Compliance = RoHS compliant, ELV compliant
- Lead Free Solder Processes = Not relevant for lead free process
- RoHS/ELV Compliance History = Always was RoHS compliant

Conditions for Usage:

- Applies To = Wire/Cable

Other:

- Brand = AMP
- Comment = Tab Housing uses FASTIN-FASTON .250 series Tabs.

Corporate Information

- [About TE](#)
- [Investors](#)
- [News Room](#)
- [Supplier Portal](#)
- [Careers](#)
- [Terms & Conditions](#)
- [Privacy Policy](#)

Quick Links

- [Distributor Inventory](#)
- [Product Cross Reference](#)
- [Documents & Drawings](#)
- [Product Compliance Support Center](#)
- [Site Map](#)

Customer Support

- [Email or Chat With Us](#)
- [Find a Phone Number](#)
- [Knowledge Base](#)
- [Manage Your Account](#)

Keep Me Informed

Receive TE News, Events & Technology Updates

Enter your email address

