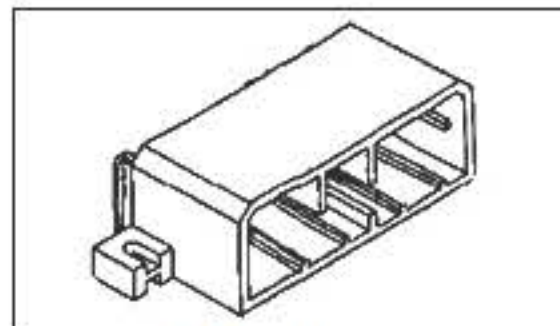




175785-1 Product Details

Share | Print | Email



175785-1

TE Internal Number: 175785-1

Active

View 3D PDF

MULTILOCK Connectors and Contacts

Always EU RoHS/ELV Compliant (Statement of Compliance)

Product Highlights:

- MULTILOCK Product Line
- Connector
- Wire-to-Board
- Connector Assembly
- Contact Type = Tab

View all Features

Quick Links

- Pricing & Availability
- Search for Tooling
- Product Feature Selector
- Contact Us About This Product

Add to My Part List | Request Sample | Find Similar Products | Buy Product

Documentation & Additional Information

Product Drawings:

- 070 SERIES MULTILOCK I/O CONNECTOR 20POSITION CAP HO... (PDF, English)

Catalog Pages/Data Sheets:

- None Available

Product Specifications:

- .070 Series MULTILOCK I/O Connector (MLC) for PCB (PDF, Japanese)

Application Specifications:

- None Available

Instruction Sheets:

- None Available

CAD Files: (CAD Format & Compression Information)

- 2D Drawing (DXF, Version D1)
- 3D Model (IGES, Version D1)
- 3D Model (STEP, Version D1)

Additional Information:

- Product Line Information

Related Products:

- Tooling

List all Documents

Product Features (Please use the Product Drawing for all design activity)

Product Type Features:

- Product Line = MULTILOCK
- Product Type = Connector
- Connector Type = Connector Assembly
- PCB Mounting Orientation = Right Angle
- Termination Method to PC Board = Through Hole - Solder
- PCB Mount Retention = With
- PCB Mount Retention Type = Mounting Hole(s)
- Tab Width (mm [in]) = 1.8 [0.0708]
- Product Series = 070
- Sealed = No

Mechanical Attachment:

- Mating Retention Type = Latching
- Panel Mount Retention = Without

Electrical Characteristics:

- Contact - Rated Current (A) = 14

Termination Features:

- Tail Length (mm [in]) = 4 [0.157]

Dimensions:

- PCB Thickness, Recommended (mm [in]) = 1.60 [0.063]
- Length (X-Axis) (mm [in]) = 25.02 [0.985]
- Width (Z-Axis) (mm [in]) = 60.30 [2.374]
- Profile Height (Y-Axis) (mm [in]) = 19.80 [0.7795]

Body Features:

- Mating Retention = With

Contact Features:

- Contact Type = Tab
- Shunts/Shorting Bars = Without
- Multiple Contact Types = Without
- Contact Series = .070
- Contact Base Material = Brass
- Contact Plating, Mating Area, Material = Pre-Tin
- Contact Plating, Mating Area, Thickness (µm [µin]) = 0.8 [31.49]
- Contact Plating, Termination Area, Material = Pre-Tin

Housing Features:

- Connector Style = Receptacle
- Centerline (mm [in]) = 3.50 [0.138]
- Mating Alignment = With
- Mating Alignment Type = Polarization
- Housing Color = White
- Housing Material = PBT

Configuration Features:

- Number of Rows = 2
- Number of Positions = 20
- GET 0.64 Connector System = No

Industry Standards:

- RoHS/ELV Compliance = RoHS compliant, ELV compliant
- Lead Free Solder Processes = Wave solder capable to 240°C
- RoHS/ELV Compliance History = Always was RoHS compliant

Environmental:

- Operating Temperature (°C [°F]) = -30 - +105 [-22 - +221]

Conditions for Usage:

- Applies To = Printed Circuit Board
- For Use With = Plug; 174952

Operation/Application:

- Application Use = Wire-to-Board
- Contact Transmits (Typical Application) = Signal (Data)

Packaging Features:

- Packaging Method = Tray
- Packaging Quantity = 40

Other:

- Brand = AMP
- Proprietary Name = MULTILOCK

Corporate Information

- About TE
- Investors
- News Room
- Supplier Portal
- Careers
- Terms & Conditions
- Privacy Policy

Quick Links

- Distributor Inventory
- Product Cross Reference
- Documents & Drawings
- Product Compliance Support Center
- Site Map

Customer Support

- Email or Chat With Us
- Find a Phone Number
- Knowledge Base
- Manage Your Account

Keep Me Informed

Receive TE News, Events & Technology Updates

Enter your email address

