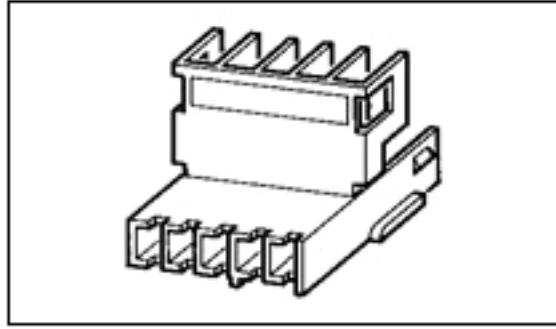


737059-5 Product Details

[Share](#) |
 [Print](#) |
 [Email](#)



737059-5

TE Internal Number: 737059-5
[Active](#)

Positive Lock Connectors

[Always EU RoHS/ELV Compliant \(Statement of Compliance\)](#)

Product Highlights:

- Connector
- Not Preloaded
- Connector Style = Plug
- Accepts Contact Gender = Receptacle
- Mating Area Interface Dimensions = 5.00 mm

[View all Features](#)

[Add to My Part List](#) |
 [Request Sample](#) |
 [Find Similar Products](#) |
 [Buy Product](#)

Quick Links

- ▶ [Check Pricing & Availability](#)
- ▶ [Search for Tooling](#)
- ▶ [Product Feature Selector](#)
- ▶ [Contact Us About This Product](#)

Documentation & Additional Information

Product Drawings:

- [PROTECCION PARA P. LOCK MK III 7 Vias](#) (PDF, English)

Catalog Pages/Data Sheets:

- None Available

Product Specifications:

- None Available

Application Specifications:

- None Available

Instruction Sheets:

- None Available

CAD Files:

- None Available

Additional Information:

- [Product Line Information](#)

Related Products:

- [Tooling](#)

[List all Documents](#)

Product Features (Please use the Product Drawing for all design activity)

Product Type Features:

- [Product Type](#) = Connector
- [Mating Area Interface Dimensions \(mm \[in\]\)](#) = 5.00 [.197]
- [Receptacle Style](#) = Straight
- [Color](#) = Black
- [Material](#) = Polyamide 6.6
- [Keyed](#) = No

Body Features:

- Number of Positions = 7
- [Position Keyed](#) = None

Contact Features:

- Preloaded = No
- Accepts Contact Gender = Receptacle

Housing Features:

- Connector Style = Plug
- UL Flammability Rating = UL 94V-2

Industry Standards:

- [RoHS/ELV Compliance](#) = RoHS compliant, ELV compliant
- [Lead Free Solder Processes](#) = Not relevant for lead free process
- RoHS/ELV Compliance History = Always was RoHS compliant

Other:

- [Line](#) = Mark III
- Brand = AMP

Corporate Information

- [About TE](#)
- [Investors](#)
- [News Room](#)
- [Supplier Portal](#)
- [Careers](#)

Quick Links

- [Check Distributor Inventory](#)
- [Cross Reference Products](#)
- [Find Documents & Drawings](#)
- [Product Compliance Support Center](#)
- [Site Map](#)

Customer Support

- [Email or Chat With Us](#)
- [Find a Phone Number](#)
- [Search Knowledge Base](#)
- [Manage Your Account](#)

Keep Me Informed

Receive TE News, Events & Technology Updates

Enter your email address

