



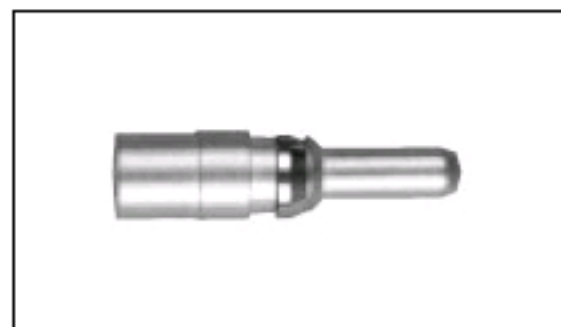
Search bar: What can we help you find?

- Products
- Industries
- Resources
- About TE
- My Account
- Innovation
- Support Center

Home > Products > Rectangular Industrial Products > Product Feature Selector > Product Details

6-1105150-1 Product Details

Share Print Email



6-1105150-1

TE Internal Number: 6-1105150-1

Active

View 3D PDF

HTS Connectors and Accessories

Always EU RoHS/ELV Compliant (Statement of Compliance)

Product Highlights:

- HSS Series
- Contact
- Contact Configuration = Pin
- Male
- Hard Silver Contact Plating, Mating Area, Material

View all Features

Quick Links

- Pricing & Availability
- Search for Tooling
- Product Feature Selector
- Contact Us About This Product

Add to My Part List Request Sample Find Similar Products Buy Product

Documentation & Additional Information

Product Drawings:

- PIN CONTACT SERIES HSS (PDF, English)

Catalog Pages/Data Sheets:

- None Available

Product Specifications:

- None Available

Application Specifications:

- None Available

Instruction Sheets:

- None Available

CAD Files: (CAD Format & Compression Information)

- 2D Drawing (DXF, Version D1)
- 3D Model (IGES, Version D1)
- 3D Model (STEP, Version D1)

List all Documents

Additional Information:

- Product Line Information

Related Products:

- Tooling

Product Features (Please use the Product Drawing for all design activity)

Product Type Features:

- Series = HSS
- Product Type = Contact
- Gender = Male
- Color = None

Body Features:

- Material = Hard Silver

Contact Features:

- Contact Configuration = Pin
- Contact Plating, Mating Area, Material = Hard Silver

Industry Standards:

- RoHS/ELV Compliance = RoHS compliant, ELV compliant
- Lead Free Solder Processes = Not reviewed for lead free solder process
- RoHS/ELV Compliance History = Always was RoHS compliant

Packaging Features:

- Packaging Method = Loose Piece

Other:

- Brand = HTS

Corporate Information

- About TE
- Investors
- News Room
- Supplier Portal
- Careers
- Terms & Conditions
- Privacy Policy

Quick Links

- Distributor Inventory
- Product Cross Reference
- Documents & Drawings
- Product Compliance Support Center
- Site Map

Customer Support

- Email or Chat With Us
- Find a Phone Number
- Knowledge Base
- Manage Your Account

Keep Me Informed

