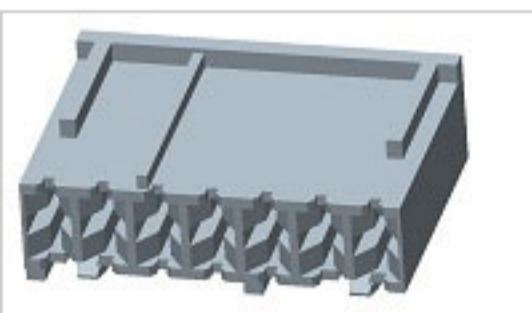


2-1241965-7 Product Details

[Share](#) | [Print](#) | [Email](#)


Active

Standard Timer (AMP RAST 5 Appliance) Connectors

7P ST-TIMER GEH

2-1241965-7

TE Internal Number: 2-1241965-7

Product Highlights [View All](#)

- Connector
- Applies To Wire/Cable
- Housing
- Connector Style = Receptacle
- 5.00 mm Centerline

- [Pricing & Availability](#)
- [Request Sample](#)
- [Add to My Part List](#)
- [Buy Product through Distributor](#)

[Documents](#) | [Features](#) | [Compliance](#)

Related Products

Not quite the product you're looking for?
[Find Similar Products](#)

[View Part in Product Feature Selector](#)

[Check for Tooling](#)

Feedback

Please Note:
Use the Product Drawing for all design activity

Product Type Features

Product Type	Connector
Connector Type	Housing
Color	Natural
Lock Type	Latch

Mechanical Attachment

Mating Retention Type	Locking
-----------------------	---------

Body Features

Mating Retention	With
Lock Style	Exterior
Locking Latch Between Cavity No.	1&2, 6&7
Keying Rib Between or At Cavity No.	3d,7d
Polarizing Rib Location	2b
RAST Version	07-C

Housing Features

Connector Style	Receptacle
Centerline (mm [in])	5.00 [0.197]
Mating Alignment	With
Mating Alignment Type	Keying System

Configuration Features

Number of Positions	7
---------------------	---

Industry Standards

RoHS/ELV Compliance	RoHS compliant, ELV compliant
Lead Free Solder Processes	Not reviewed for lead free solder process
RoHS/ELV Compliance History	Always was RoHS compliant

Conditions for Usage

Applies To	Wire/Cable
------------	------------

Packaging Features

Packaging Method	Bag/Box
Packaging Quantity	1,500

Other

Brand	AMP
Node Classification	Wire-to-Board Connector Housings

Corporate Information

[About TE](#)
[Investors](#)
[News Room](#)
[Supplier Portal](#)
[Careers](#)
[Terms & Conditions](#)
[Privacy Policy](#)
[Global Accessibility Statement](#)

Quick Links

[Distributor Inventory](#)
[Product Cross Reference](#)
[Documents & Drawings](#)
[Product Compliance Support Center](#)
[Site Map](#)

Customer Support

[Email or Chat With Us](#)
[Find a Phone Number](#)
[Knowledge Base](#)
[Manage Your Account](#)

Keep Me Informed

