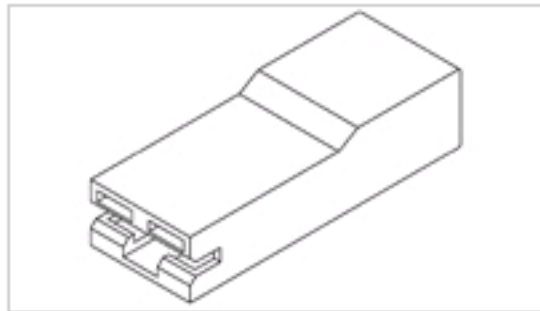


1-521120-3 Product Details

[Share](#) [Print](#) [Email](#)


Active

[View 3D PDF](#)

Positive Lock Connectors

HSG RECPT POSILOK MK III 250 V0 NAT

1-521120-3

TE Internal Number: 1-521120-3

Product Highlights [View All](#)

- Connector
- Not Preloaded
- Connector Style = Plug
- 1 Positions
- Accepts Contact Gender = Receptacle

[Pricing & Availability](#)

[Request Sample](#)

[Add to My Part List](#)

[Buy Product through Distributor](#)

Feedback

[Documents](#) | [Features](#) | [Compliance](#)

Please Note:

Use the Product Drawing for all design activity

Product Type Features	
Product Type	Connector
Receptacle Style	Straight
Keyed	No
Color	Natural
Profile	Standard
Dimensions	
Mating Area Interface Dimensions (mm [in])	6.35 [.250]
Body Features	
Position Keyed	None
Material	Nylon 6/6
Contact Features	
Accepts Contact Gender	Receptacle

Housing Features	
Connector Style	Plug
Configuration Features	
Preloaded	No
Number of Positions	1
Industry Standards	
RoHS/ELV Compliance	ELV compliant, RoHS compliant
Lead Free Solder Processes	Not relevant for lead free process
RoHS/ELV Compliance History	Always was RoHS compliant
UL Flammability Rating	UL 94V-0
Packaging Features	
Packaging Method	Loose Piece
Other	
Line	AMP POSITIVE LOCK Mark III
Brand	AMP

Related Products

Not quite the product you're looking for?
[Find Similar Products](#)

[View Part in Product Feature Selector](#)

[Check for Tooling](#)