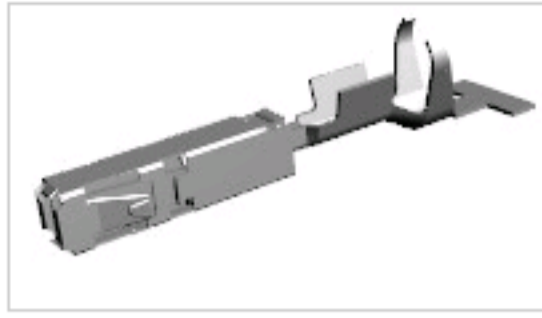




1534162-1 Product Details

[Share](#) | [Print](#) | [Email](#)


Multiple Contact Point (MCP) & MCON Contact Systems

MCP1.5SK SWS SOCKET CONTACT

1534162-1

TE Internal Number: 1534162-1

Active

[View 3D PDF](#)

Product Highlights [View All](#)

- MCP Product Line
- Wire-to-Wire
- Applies To Wire/Cable
- Contact
- Contact Type = Socket

[Pricing & Availability](#)

[Request Sample](#)

[Add to My Part List](#)

[Buy Product through Distributor](#)

Feedback

Documents

Features

Compliance

Please Note:
Use the Product Drawing for all design activity

Product Type Features	
Product Line	MCP
Product Type	Contact
Wire/Cable Type [?]	FLR (Thin Walled Cable)
Sealed	Yes

Mechanical Attachment	
Contact Retention	With
Contact Retention Type	Locking Lance

Termination Features	
Wire/Cable Size (mm ²)	0.5 - 1
Wire/Cable Size (AWG)	17 - 20
Termination Method to Wire/Cable	Crimp
Seal Type	Single Wire Seal(s)

Dimensions	
Mating Area Interface Dimensions (mm [in])	1.50 [.059]

Body Features	
Spring Material	Stainless Steel
Spring Plating	Plain
Wire Type	Stranded
Seal Material	Silicone
Seal Color	Yellow
Used With	Tab Contact

Contact Features	
Contact Type	Socket
Contact Base Material	CuNiSi
Contact Plating, Mating Area, Material	Tin
Contact Plating, Mating Area, Thickness (µm [µin])	1 [39.37]
Contact Style	Locking Lance

Configuration Features	
Strain Relief	Without

Industry Standards	
RoHS/ELV Compliance [?]	RoHS compliant, ELV compliant
Lead Free Solder Processes [?]	Not relevant for lead free process
RoHS/ELV Compliance History	Always was RoHS compliant

Environmental	
Sealing System	Single Wire Sealing System (SWS)

Conditions for Usage	
Applies To	Wire/Cable
Accepts Wire Insulation Diameter, Range (mm [in])	1.40 - 2.10 [0.055 - 0.083]

Operation/Application	
Application Use	Wire-to-Wire

Packaging Features	
Packaging Method	Reel
Packaging Quantity	4,500

Other	
Brand	AMP

Related Products

Not quite the product you're looking for?

[Find Similar Products](#)

[View Part in Product Feature Selector](#)

[Check for Tooling](#)

Corporate Information

- [About TE](#)
- [Investors](#)
- [News Room](#)
- [Supplier Portal](#)
- [Careers](#)
- [Terms & Conditions](#)
- [Privacy Policy](#)
- [Global Accessibility Statement](#)

Quick Links

- [Distributor Inventory](#)
- [Product Cross Reference](#)
- [Documents & Drawings](#)
- [Product Compliance Support Center](#)
- [Site Map](#)

Customer Support

- [Email or Chat With Us](#)
- [Find a Phone Number](#)
- [Knowledge Base](#)
- [Manage Your Account](#)

Keep Me Informed

