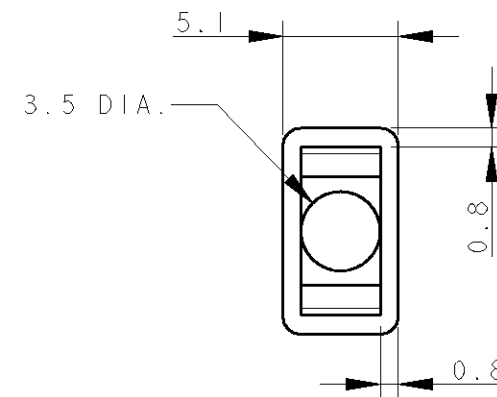
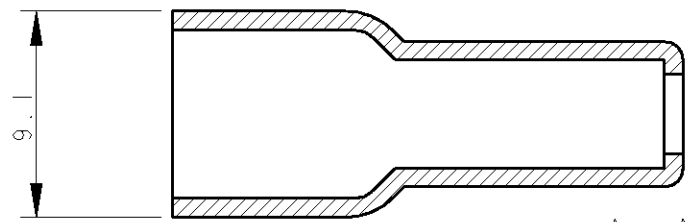
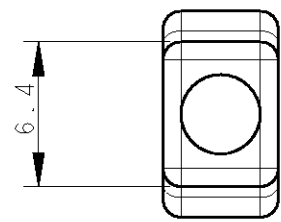
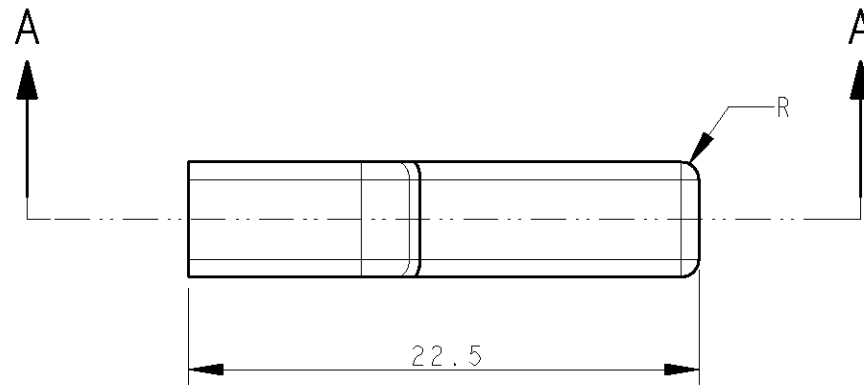


THIS DRAWING IS UNPUBLISHED. RELEASED FOR PUBLICATION 2003
 © COPYRIGHT 2003 BY TYCO ELECTRONICS CORPORATION. ALL RIGHTS RESERVED.

LOC	DIST	REVISIONS					
		P	LTR	DESCRIPTION	DATE	DWN	APVD
1	-	G1		REDRAWN, ET00-0212-04	19 OCT 2004	HY	GT

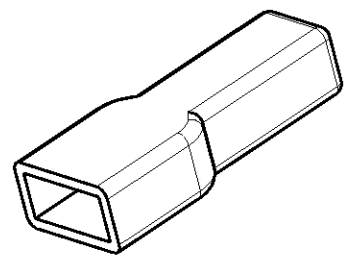


SECTION A - A

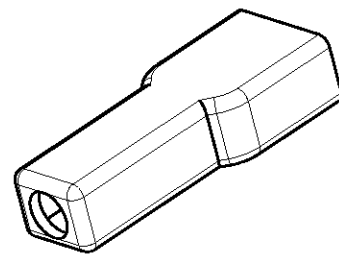


- 1 POLYETHYLENE
- 2 PA6 UNFILLED, UL 94 V2, VERSION ACCORDING TO IEC 60695-2-11, IEC 60335-1, GLOW WIRE.

NOTE	COLOUR	MATERIAL	TYCO P/N	REV
	NATURAL	SEE NOTE 2	3-180930-0	G
	ORANGE		2-180930-9	G
	GRAY		2-180930-7	G
	BROWN		2-180930-6	G
	BLACK		2-180930-5	G
	YELLOW	SEE NOTE 1	2-180930-4	G
	BLUE		2-180930-3	G
	GREEN		2-180930-2	G
	RED		2-180930-1	G
	NATURAL		2-180930-0	G



SCALE 2:1



<small>THIS DRAWING IS A CONTROLLED DOCUMENT FOR TYCO ELECTRONICS CORPORATION IT IS SUBJECT TO CHANGE AND THE CONTROLLING ENGINEERING ORGANIZATION SHOULD BE CONTACTED FOR THE LATEST REVISION.</small>		DWN H. YAALI 13JUL2004 CHK - APVD - PRODUCT SPEC 108-20035 APPLICATION SPEC - WEIGHT - CUSTOMER DRAWING	tyco Electronics tyco Electronics AMP Italia S.p.A. C.so F.lli Cervi, 15 COLLEGNO (TO)
DIMENSIONS: mm 	TOLERANCES UNLESS OTHERWISE SPECIFIED: 0 PLC ±- 1 PLC ±0.4 2 PLC ±- 3 PLC ±- 4 PLC ±- ANGLES ±1° FINISH -	INSULATING BOOT <h1>NOT the LATEST REVISION</h1>	
MATERIAL SEE TABLE		SIZE A3 00779 CAGE CODE C=180930 DRAWING NO RESTRICTED TO - SCALE 3:1 SHEET 1 OF 1 REV G1	