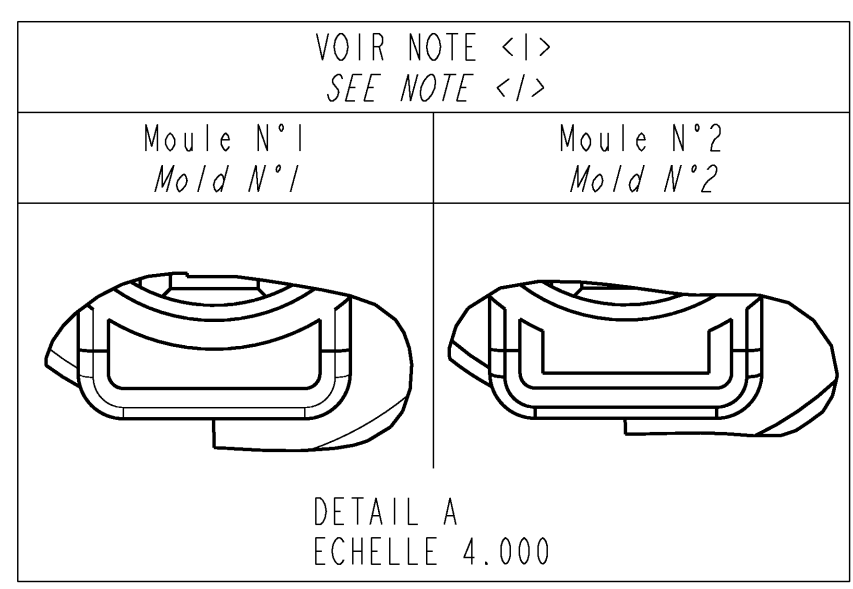
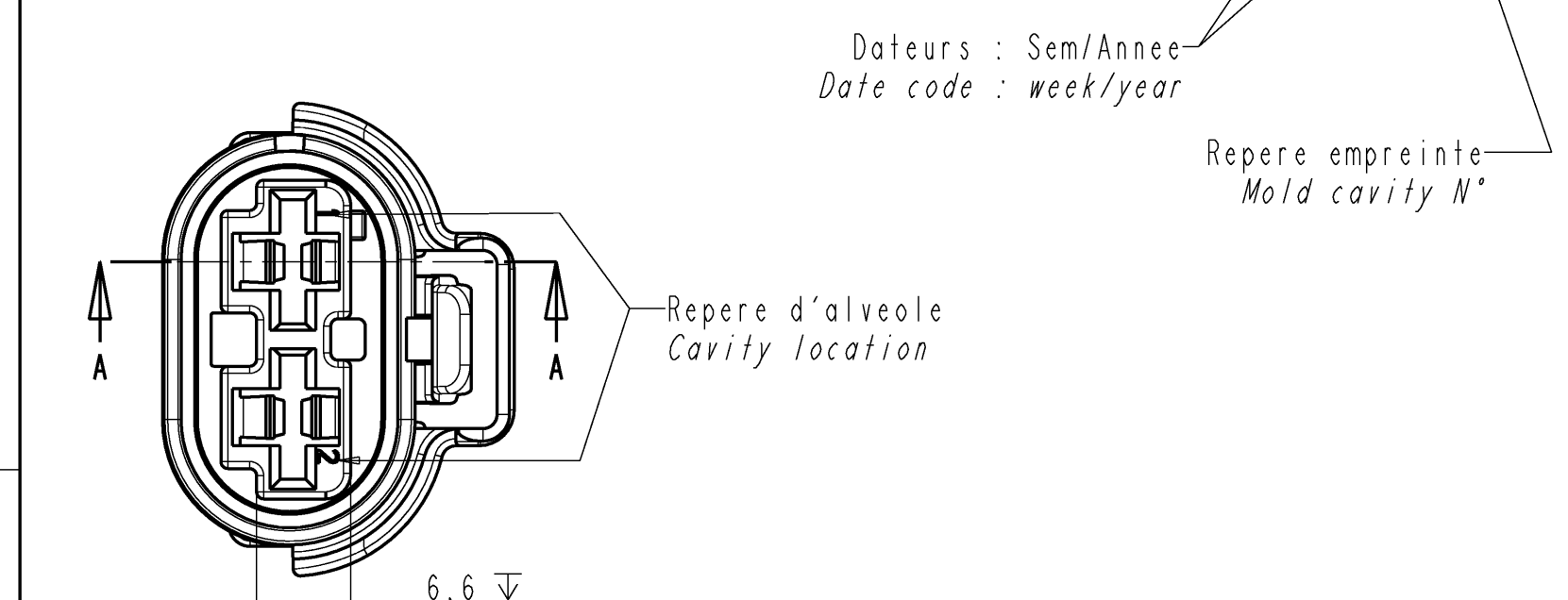
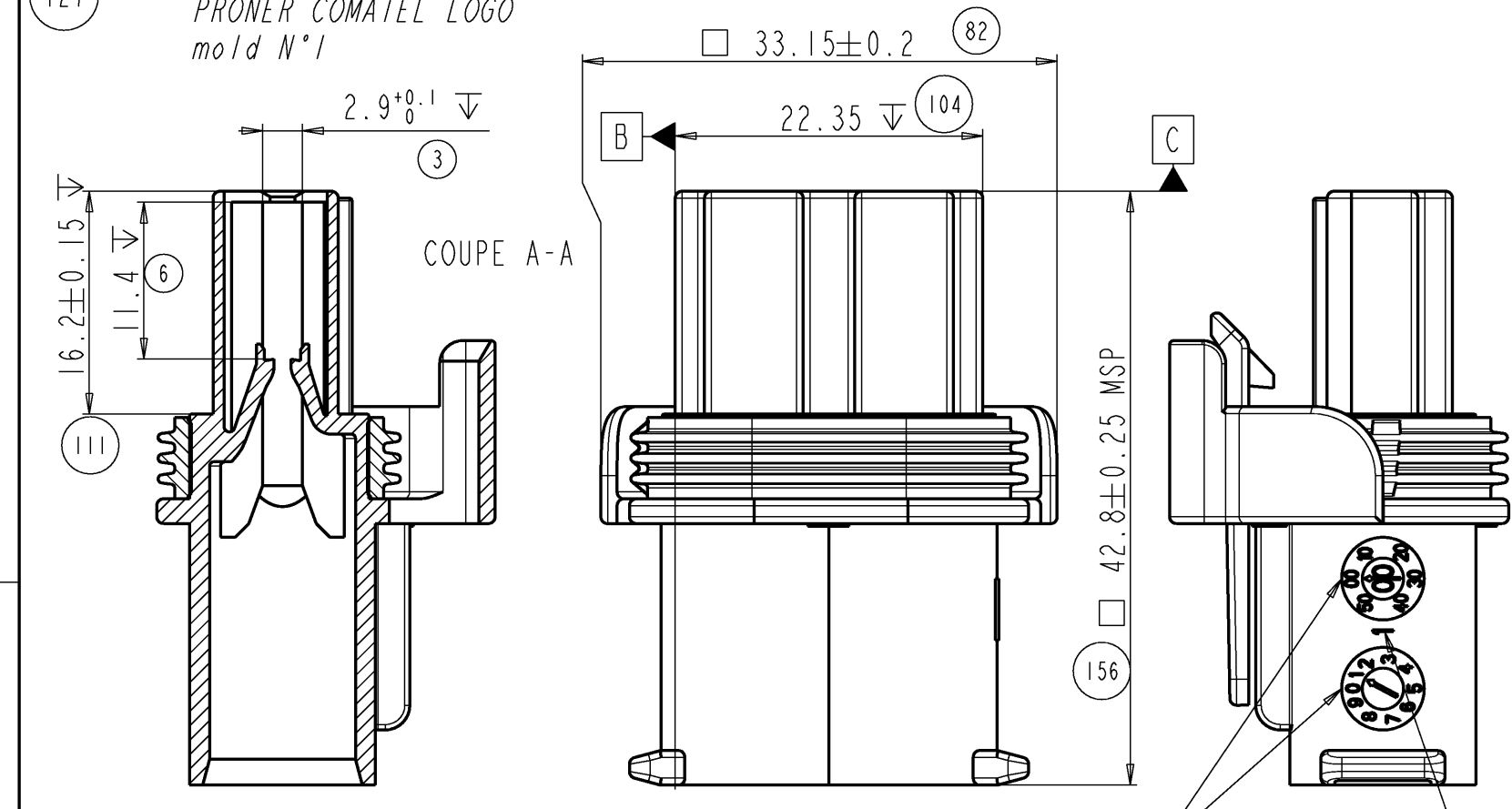


REVISIONS				
P	LTR	DESCRIPTION	DATE	APVD
B		Added detail A, new coding, TYCO drawing	02FEB2006	PCs JDr

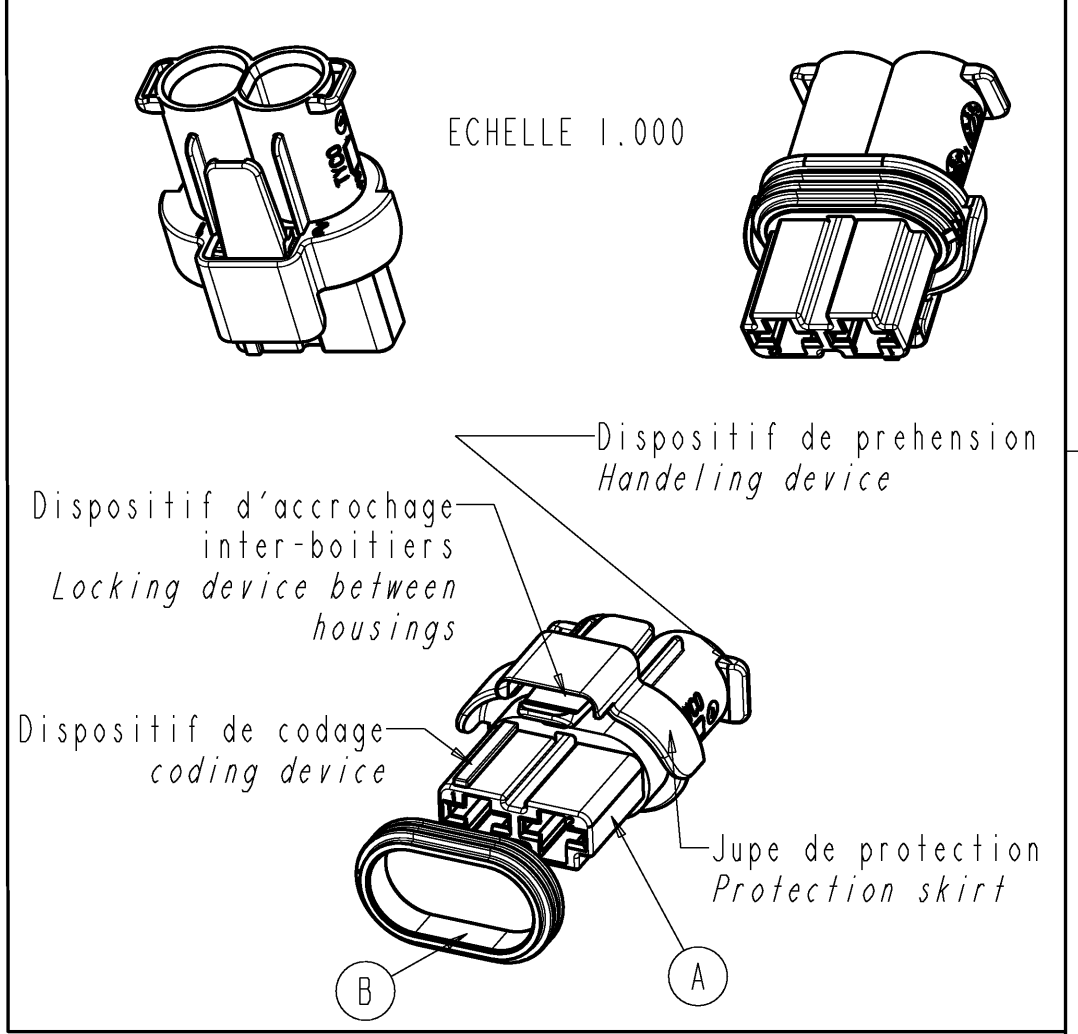


**DETROMPAGES PORTE CLIPS
RECEPTACLE HOUSING POLARIZATION**

VUES CODAGES CODING VIEWS				
PN TYCO TYCO PN COULEUR COLOUR	1544361-4 NATUREL WHITE	1544361-1 NOIR BLACK	1544361-2 MARRON BROWN	1544361-3 GRIS GREY

PRODUITS ASSOCIES APPLIED COMPONENT			
COMPOSANTS COMPONENTS	REF : TYCO TYCO PN	MATIERE MATERIAL	COULEUR COLOUR
CLIP 8MM NGI SECTION 3 A 6MM ² 8MM NGI RECEPTACLE 3 TO 6MM ² SIZE	1544227-1	CU MICRO ALLIE SM 158 MICRO ALLOY COPPER SM 158	--
CLIP 8MM NGI SECTION 7 A 10 MM ² 8MM NGI RECEPTACLE 7 TO 10MM ² SIZE	1544228-1	CU MICRO ALLIE SM 158 MICRO ALLOY COPPER SM 158	--
JOINT A SERTIR SECTION 3 A 6 MM ² CRIMPING SEAL 3 TO 6MM ² SIZE	1544316-1	SILICONE 50 SHORE AUTOLUBRIFIE SILICONE 50 SHORE SELF LUBRICATING	VERT GREEN
JOINT A SERTIR SECTION 7 A 10 MM ² CRIMPING SEAL 7 TO 10MM ² SIZE	1544316-2	SILICONE 50 SHORE AUTOLUBRIFIE SILICONE 50 SHORE SELF LUBRICATING	ORANGE ORANGE
BOUCHON SEAL PLUG	1544316-3	SILICONE 50 SHORE NON LUBRIFIE SILICONE 50 SHORE NOT LUBRICATING	BLANC WHITE

CARACTERISTIQUES MECANIKES MECHANICAL CHARACTERISTICS		
Contact avec joint Contact with seal	FI < 35N	FE > 120N
Accouplement PL / PC Mating force	FI < 80N	FE > 120N
Desaccouplement PL / PC (accroche desactivee) Unmating force (inactivated latch)	F < 70N	
CLASSES D'ENVIRONNEMENT ENVIRONMENT CLASS		
Temperature Temperature	3	
Etancheite Sealing	2	
Vibration Vibration	1	



	COMPOSANT COMPONENT	MATIERE MATERIAL
(B)	JOINT INTERFACIAL INTERFACIAL SEAL	SILICONE SILICONE
(A)	PORTE CLIPS 2 VOIES NG2 NG2 2 WAYS RECEPTACLE HOUSING	PBT HB (SMP 110)

NOTE :
 - SPECIFICATION DE REFERENCE : RSA 36-05-0191--E
 - APPLICABLE SPECIFICATION : RSA 36-05-0191--E
 - ∇ : COTES FONCTIONNELLES : FUNCTIONAL DIMENSIONS
 - MSP : COTES SUIVIES EN MSP : MSP DIMENSIONS
 - (x) : COTES REPETEES : REPEAT DIMENSIONS
 - □ : COTES D'ENCOMBREMENT : EXTERNAL DIMENSIONS
 - PI : COTES POUR INFORMATION : FOR INFORMATION DIMENSIONS
 - PM : COTES POUR MEMOIRE : FOR MEMORY DIMENSIONS
 - <1> : ZONES NON FONCTIONNELLES POUVANT ACCEPTER 2 DESIGNS DIFFERENTS
 - : WITHOUT FONCTION AREA, CAN BE 2 DIFFERENTS DESIGNS

THIS DRAWING IS A CONTROLLED DOCUMENT FOR TYCO ELECTRONICS CORPORATION IT IS SUBJECT TO CHANGE AND THE CONTROLLING ENGINEERING ORGANIZATION SHOULD BE CONTACTED FOR THE LATEST REVISION.

DWN P.CHARLES 02FEB2006	 Tyco Electronics Corporation 38 Chapareillan, France
CHK L.CORONELLI 02FEB2006	
APVD J.DAHER 02FEB2006	
PRODUCT SPEC 3570 1 001	
MATERIAL See table	NAME PORTE CLIPS 2 VOIES 8NG2 ETANCHE 2 WAY 8NG2 SEALED RECEPTACLE HOUSING SIZE A2 CAGE CODE 00779 DRAWING NO C-1544361 RESTRICTED TO - WEIGHT 7 Gr SCALE 2.000 SHEET 1 OF 1 REV B CUSTOMER DRAWING