



O.C.H. Micro Circular Connectors

Designed . . . Authorized . . . US Army Nett Warrior Soldier Vest Applications

O.C.H. Micro Circular Connectors

Designed . . . Authorized . . . US Army Nett Warrior Soldier Vest Applications

O.C.H. Micro Circular Connectors

Authorized for Use in Nett Warrior Soldier Vests and Peripheral Devices

The Nett Warrior program was developed by the US Army to provide ground soldiers with instant situational awareness and communications capability by directly connecting them to the army's tactical network. Like all communications devices, smaller and lighter is the order of the day. Every ounce saved is extra weight taken off the backs of our soldiers.

TE Connectivity (TE) is now an authorized source for Nett Warrior soldier vest and vest peripheral devices.

This now gives the industry another authorized source for Nett Warrior connectors.

Our ruggedized O.C.H. micro circular connectors have passed the rigorous performance requirements set by the US Army, including the mechanical and performance requirements of **MIL-STD-810G**. These circular connectors feature a push-pull coupling and quick disconnect per the US Army's Nett Warrior specification. The connectors can be ordered against National Stocking Numbers 5935-016595575 and 5935-016594090.





SMALL, LIGHT, TOUGH

- Lightweight aluminum shell and thermoplastic inserts
- Very small footprint
- Ruggedized for battlefield conditions

COMPATIBLE

- Intermateable with Nett Warrior products

HIGH PERFORMANCE

- Push/pull quick disconnect coupling meets breakaway force of 13 ±3 lbf
- Ruggedized small circular connector meets mechanical and environmental performance requirements of MIL-STD-810G

APPLICATIONS

- Soldier Vest Cables
- Batteries
- Antennas
- Communication/Power Hubs
- Radios
- Military Vehicles

Specifications

- **Shell:** Aluminum alloy, selectively plated zinc-nickel over electroless nickel overall
- **Inserts:** Thermoplastic
- **Contacts:** Copper alloy, plated gold over nickel

ELECTRICAL

- **Insulation Resistance:** 100 MΩ min. at 500 VDC
- **Contact Current Rating:** 5 A (-18°C to +71°C, crimped to 22 AWG wire)

MECHANICAL

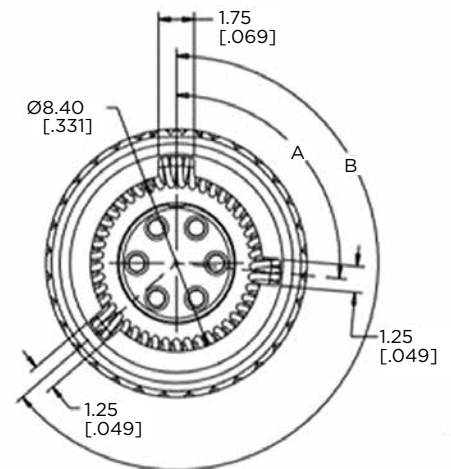
- **Shock:** MIL-STD-810G, Method 516.6, Procedure IV
- **Vibration:** MIL-STD-810G, Method 514.7, Procedure I, Method 514.6, Category 5, Procedure II

DOCUMENTATION

- **Product Specification:** 108-32114 and 108-32114-1
- **Qualification Test Reports:** 501-134052 and 501-134052-1

NW Keying Guide

A°	B°	Keying
95	230	C
150	210	A
75	210	B
140	275	D
75	275	E
95	210	F
165	195	MA
140	220	MB
115	245	MC
105	205	MD
155	255	ME



TE Components . . . TE Technology . . . TE Know-how . . .

AMP | AGASTAT | CII | HARTMAN | KILOVAC | MICRODOT | NANONICS | POLAMCO | Raychem
SEACON | Rochester | DEUTSCH

Empower Engineers to Solve Problems, Moving the World Forward.



NW Cable Applied Plug/Receptacle

TE Part No.	Part Type	Contact Type	No. of Positions	Keying	National Stocking Number
2226920-1	Connector Receptacle - Cable Applied	Socket (Crimp)	6	C	5935-01654090
1-2226920-3	Connector Receptacle - Cable Applied	Socket (Crimp)	6	MA	N/A
2226910-1	Connector Plug - Cable Applied	Pin (Crimp)	6	C	5935-016595575
1-2226910-3	Connector Plug - Cable Applied	Pin (Crimp)	6	MA	N/A
2-2226920-3	Connector Receptacle - Cable Applied	Socket (Crimp)	7	C	N/A
3-2226920-5	Connector Receptacle - Cable Applied	Socket (Crimp)	7	MA	N/A
2-2226910-3	Connector Plug - Cable Applied	Pin (Crimp)	7	C	N/A
3-2226910-5	Connector Plug - Cable Applied	Pin (Crimp)	7	MA	N/A

NW Cable Applied Contacts

TE Part No.	Part Type	Contact Type
2226913-1	Crimp Contact - Signal	Pin (Crimp)
2226913-2	Crimp Contact - Power	Pin (Crimp)
2226923-1	Crimp Contact	Socket

NW Anti-Rotation Plug/Receptacle

TE Part No.	Part Type	Contact Type	No. of Positions	Keying
2313318-1	Connector Plug	Pin (Solder)	6	C
2313320-1	Connector Receptacle	Socket (Solder)	6	C



2313318-R



2313318-F

NW PC Tail Receptacle

TE Part No.	Part Type	Contact Type	No. of Positions
2828420-1	Connector Receptacle - Battery (PC Tail)	Socket (Solder Tail)	6
2828420-2	Connector Receptacle - Battery (PC Tail)	Socket (Solder Tail)	7

NW PC Tail Contacts

TE Part No.	Part Type	Contact Type
2828421-1	Solder Tail Socket	Socket



NW Panel Mount Plug/Receptacle

TE Part No.	Part Type	Contact Type	No. of Positions	Keying
2313387-1	Panel Mount Receptacle	Socket (Crimp)	6	C
1-2226920-3	Connector Receptacle - Cable Applied	Socket (Crimp)	6	MA
2-2313387-3	Panel Mount Receptacle	Socket (Crimp)	7	C
3-2313387-5	Panel Mount Receptacle	Socket (Crimp)	7	MA
2313426-1	Panel Mount Plug	Pin (Crimp)	6	C
1-2313426-4	Panel Mount Plug	Pin (Crimp)	6	MA
2-2313426-3	Panel Mount Plug	Pin (Crimp)	7	C
3-2313426-5	Panel Mount Plug	Pin (Crimp)	7	MA
2828340-1	Panel Mount Receptacle (Cable)	Socket (Crimp)	6	N/N/A A



2323309-F



2313426-R

NW Panel Mount Plug/Receptacle (PC Tail)

TE Part No.	Part Type	Contact Type	No. of Positions	Keying
2329309-1	Connector Plug	Pin	6	C
1-2329309-3	Connector Plug	Pin	6	MA
2-2329309-3	Connector Plug	Pin	7	C
3-2329309-5	Connector Plug	Pin	7	MA
2329308-1	Connector Receptacle	Socket	6	C
2329308-7	Connector Receptacle	Socket	6	MA
1-2329308-2	Connector Receptacle	Socket	7	C
1-2329308-8	Connector Receptacle	Socket	7	M MA A



2329308-R



2329308-F



2329309-R



2329309-F

NW Panel Mount Contacts

TE Part No.	Part Type	Contact Type
2828661-1	Crimp Socket Contact	Socket
2226913-1	Crimp Pin Contact (Signal)	Pin
2226913-2	Crimp Pin Contact (Ground)	Pin

LET'S CONNECT

We make it easy to connect with our experts and are ready to provide all the support you need. Just call your local support number or visit te.com to chat with a Product Information Specialist.

Technical Support

te.com/support-center

North America	+1 800 522 6752	Asia Pacific	+86 400 820 6015
North America (Toll)	+1 717 986 7777	Japan	+81 044 844 8180
EMEA/South Africa	+800 0440 5100	Australia	+61 2 9554 2695
EMEA (Toll)	+31 73 624 6999	New Zealand	+64 (0) 9 634 4580
India (Toll-Free)	+800 440 5100		

te.com/O.C.H.

AMP, AGASTAT, CII, DEUTSCH, HARTMAN, KILOVAC, MICRODOT, NANONICS, O.C.H., POLAMCO, Raychem, SEACON, TE, TE Connectivity and the TE connectivity (logo) are trademarks of TE Connectivity. Other products, logos, and company names mentioned herein may be trademarks of their respective owners.

Other products, logos, and company names mentioned herein may be trademarks of their respective owners.

While TE Connectivity (TE) has made every reasonable effort to ensure the accuracy of the information herein, nothing herein constitutes any guarantee that such information is error-free, or any other representation, warranty or guarantee that the information is accurate, correct, reliable or current. The TE entity issuing this publication reserves the right to make any adjustments to the information contained herein at any time without notice. All implied warranties regarding the information contained herein, including, but not limited to, any implied warranties of merchantability or fitness for a particular purpose are expressly disclaimed. The dimensions herein are for reference purposes only and are subject to change without notice. Specifications are subject to change without notice.

Consult TE for the latest dimensions and design specifications.

© 2018 TE Connectivity All Rights Reserved.

1-1773920-2 09/18