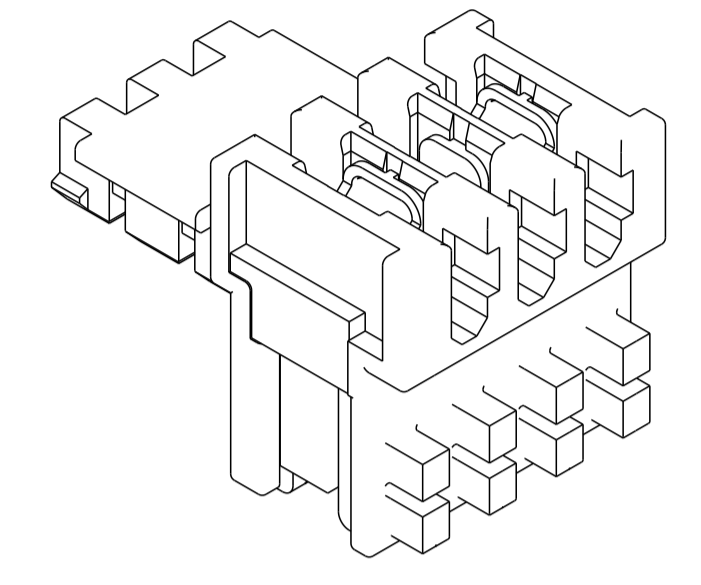
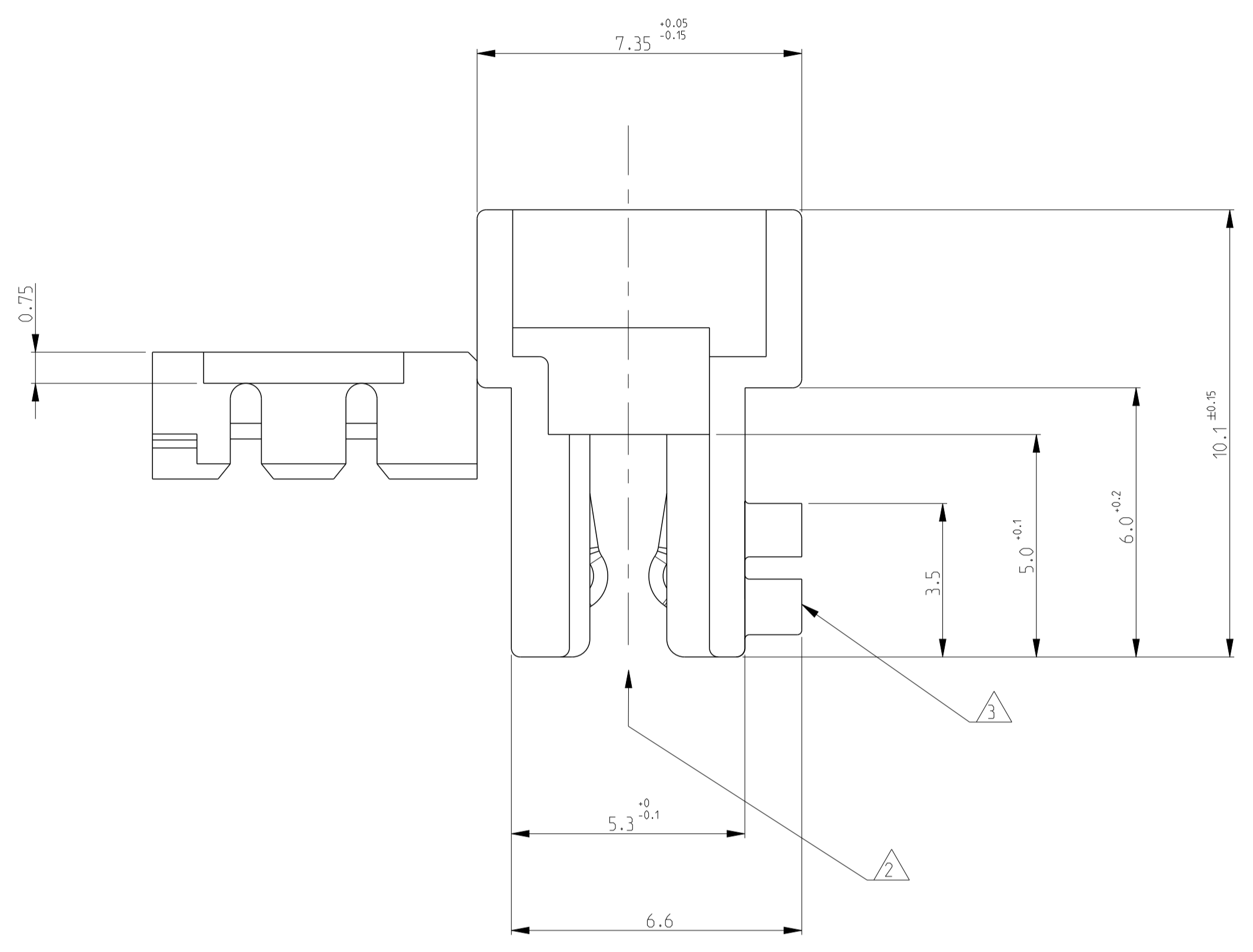
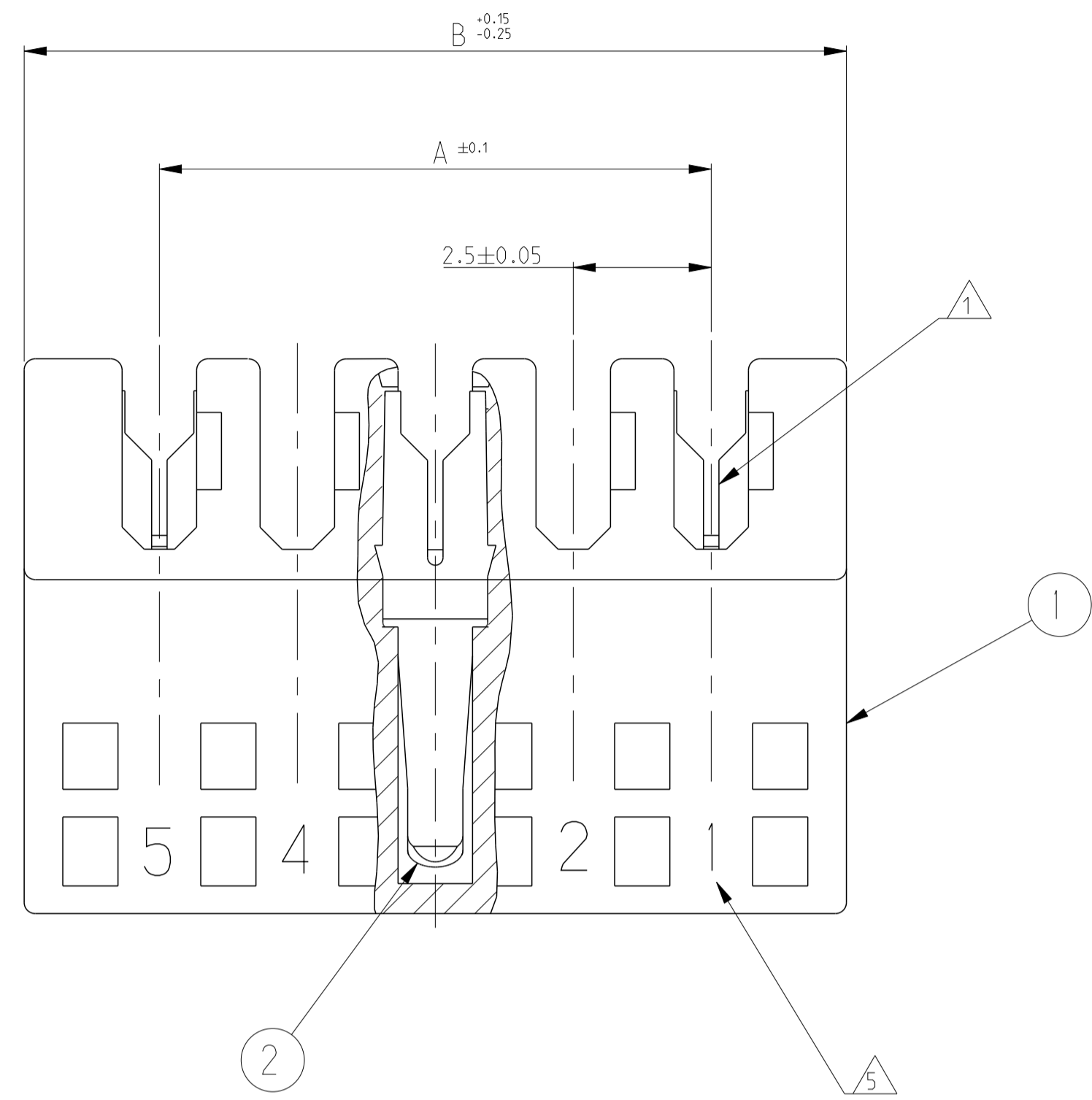
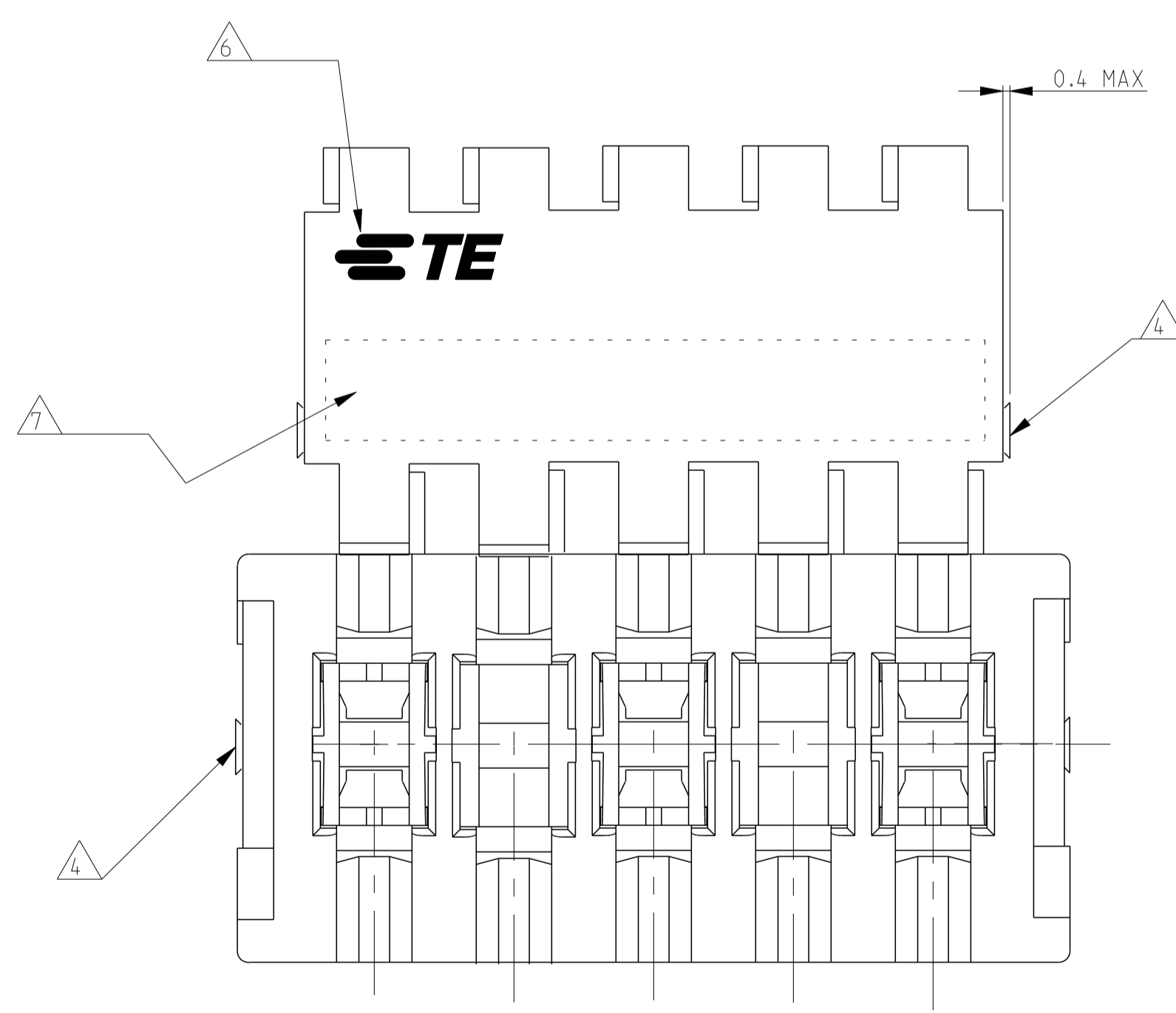


| REVISONS | | DATE | DWN | APVD |
|----------|---------------------------|-----------|-----|------|
| A20 | ECR-16-016334 | 18NOV2016 | FV | RR |
| A21 | ECR-17-009651 | 19JUL2017 | RS | DC |
| A22 | REVISED PER ECR-18-017204 | 21NOV2018 | BW | DC |
| A23 | ECR-19-009970 | 22JUL2019 | SM | FL |



3D VIEW FOR REF. ONLY
 3 POS. PN 0-284931-3 AS SHOWN
 SCALE 5:1



- ① WIRE RANGE : STRANDED 0.22-0.35 mm² (INS. DIA. 1.30±0.1)
- ② MATING PART: TAB HEADER P/NS 1971921, 1971922 AND EQUIVALENT;
PCB FRAME P/N 964575 (PCB THK 1.5±0.14 COPPER CLADDING INCLUDED)
SEE PRODUCT SPEC. 108-18056 FOR FRAME APPLICATION
- ③ KEYING RIBS TO BE REMOVED BY TERMINATION MACHINE
- ④ CUT OFF DIMENSION DUE TO PRODUCTION PROCESS
- ⑤ CIRCUIT No. IDENTIFICATION
- ⑥ TE TRADEMARK (OPTIONAL POSITION)
- ⑦ TAMPOGRAPHIC COLOUR CODE AREA (P/NS IDENTIFICATION BEFORE CRIMPING)
- ⑧ PRELIMINARY PART NOT YET RELEASED FOR PRODUCTION
- ⑨ PBT GF
- ⑩ PBT GF. UL94-V0 & GWEPT 750 NO-FLAME. NATURAL

P/N 0-284931-5 AS SHOWN

| COLOUR CODE | CONTACT LOADING | HSG POS. | KEYING | DIM.A | DIM.B | TE P/N | TE P/N |
|-------------|--|----------|--------|-------|-------|------------|-------------|
| BLUE | SELECTIVELY 1,2,3,4,5,6,7,8,9,10,11,13 | 13 | 2/3 | 30.0 | 34.9 | 1-284931-3 | 2311506-3 |
| BLUE | SELECTIVELY 1,3,5,7,9,11 | 11 | - | 25.0 | 29.9 | 1-284931-1 | 2-2311506-1 |
| BLUE | SELECTIVELY 1,3,5,7,8,10 | 10 | - | 22.5 | 27.4 | 1-284931-0 | 1-2311505-0 |
| GREEN | SELECTIVELY 1,3,4,6,7,8,9 | 9 | - | 20.0 | 24.9 | 2-284931-9 | 3-2311505-9 |
| BLUE | SELECTIVELY 1,2,4,6,7,9 | 9 | - | 20.0 | 24.9 | 0-284931-9 | 2-2311505-9 |
| GREEN | SELECTIVELY 1,3,4,6,7,8 | 8 | - | 17.5 | 22.4 | 2-284931-8 | 1-2311505-8 |
| BLUE | SELECTIVELY 1,2,3,5,6,8 | 8 | - | 17.5 | 22.4 | 0-284931-8 | 2311505-8 |
| GREEN | SELECTIVELY 1,3,5,6,7 | 7 | - | 15.0 | 19.9 | 2-284931-7 | 2-2311505-7 |
| BLUE | SELECTIVELY 1,3,5,7 | 7 | - | 15.0 | 19.9 | 0-284931-7 | 1-2311505-7 |
| BLUE | SELECTIVELY 1,2,4,6 | 6 | - | 12.5 | 17.4 | 1-284931-6 | 2-2311505-6 |
| RED | SELECTIVELY 1,3,4,6 | 6 | - | 12.5 | 17.4 | 0-284931-6 | 1-2311505-6 |
| GREEN | SELECTIVELY 1,2,3,5 | 5 | - | 10.0 | 14.9 | 4-284931-5 | 4-2311505-5 |
| RED | SELECTIVELY 1,5 | 5 | - | 10.0 | 14.9 | 3-284931-5 | 3-2311505-5 |
| - | SELECTIVELY 1,3,5 | 5 | - | 10.0 | 14.9 | 2-284931-5 | 2-2311505-5 |
| OBSOLETED | SELECTIVELY 1,3,5 | 5 | - | 10.0 | 14.9 | 0-284931-5 | - |
| RED | SELECTIVELY 1,3 | 3 | 2/3 | 5.0 | 9.9 | 5-284931-3 | 5-2311505-3 |
| ORANGE | SELECTIVELY 1,3 | 3 | - | 5.0 | 9.9 | 4-284931-3 | 4-2311505-3 |
| GREEN | SELECTIVELY 1,3 | 3 | - | 5.0 | 9.9 | 3-284931-3 | 3-2311505-3 |
| - | SELECTIVELY 1,3 | 3 | - | 5.0 | 9.9 | 2-284931-3 | 2-2311505-3 |
| BLUE | SELECTIVELY 1,3 | 3 | - | 5.0 | 9.9 | 0-284931-3 | 1-2311505-3 |

| | | | | | |
|--|------------------------|--------------------|--|--------------------------|--|
| PH. BRONZE, TIN PLATED | IDC RECEPTACLE CONTACT | 2 | THIS DRAWING IS A CONTROLLED DOCUMENT. | DWN R. FABRIS 27/FEB2004 | TE Connectivity |
| PBT GLASS FIBER FILLED | FEMALE HOUSING | 1 | DIMENSIONS: mm | APVD G. TURCO 27/FEB2004 | DUOPLUG 2.5 FEMALE CONNECTOR STANDARD VERSION (SELECTIVELY LOADED) |
| MATERIAL | | ITEM | TOLERANCES UNLESS OTHERWISE SPECIFIED: | 108-18056 | 116-18049-1 |
| REVISIONE DELL'ASSEMBLATO (REVISION OF EACH ASSY NO) | | MATERIAL SEE TABLE | | 116-18049-1 | 100779 ©=284931 |
| ELENCO DEI COMPONENTI (PARTS LIST) | | FINISH | | WEIGHT | SCALE 2:1 SHEET 1 OF 1 REV A23 |