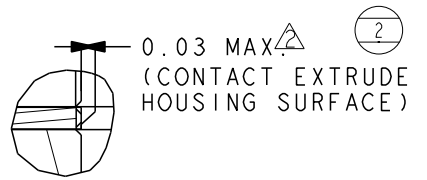
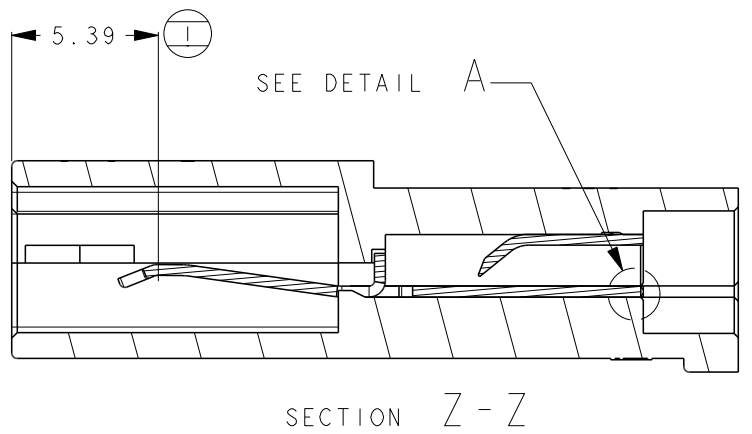
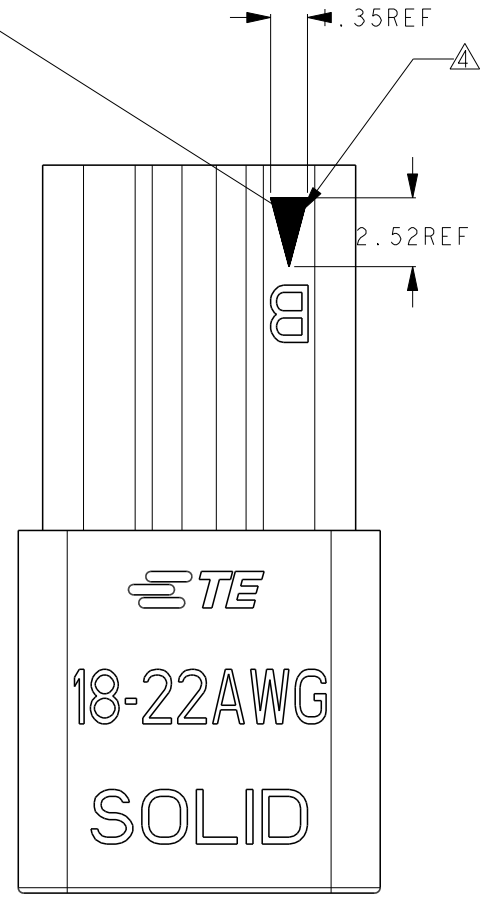


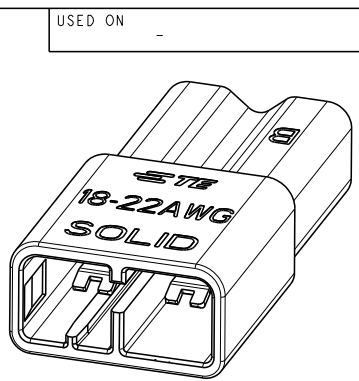
DWG NO 2834037

THIS DRAWING IS A CONTROLLED DOCUMENT

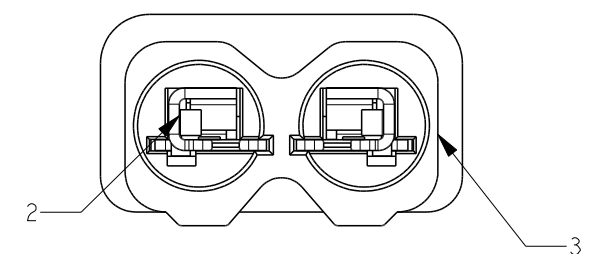
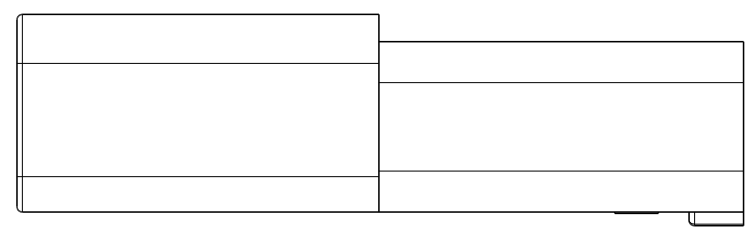
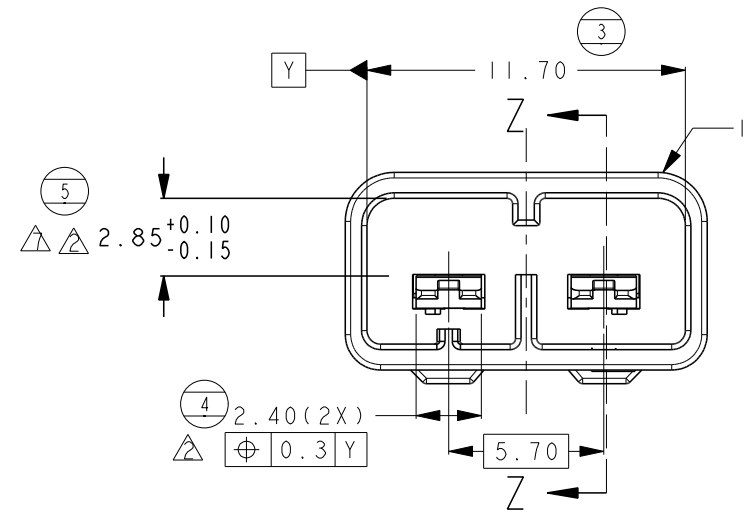
ONLY FOR WHITE AND ORANGE PART



DETAIL A  
SCALE 8:1



- 1. PRODUCT PART NO.: SEE TABLE.
- 2. KEY CHARACTERISTIC PER TE SPEC 407-55.
- 3. WIRE RETENSION FORCE: 44.5N MIN FOR 18AWG SOLID WIRE. 35.6N FOR 22AWG SOLID WIRE. STRIP LENGTH: 9.0-9.6mm.
- 4. BLACK INK MARK.
- 5. PACKAGING: PLASTIC BAG.
- 6. MATERIAL/COMPONENTS WHICH CONTAIN PROHIBITION SUBSTANCES WHICH ARE DESCRIBED IN THE TABLE 1 OF 4.2, ENVIRONMENT RELATED SUBSTANCE CONTROL STANDARD ON 14-2.5.0.6, MUST NOT BE USED IN PRODUCT NOR MANUFACTURING PROCESS.
- 7. CPK DIMENSION



THIS INFORMATION IS CONFIDENTIAL AND PROPRIETARY TO TYCO ELECTRONICS CORPORATION AND ITS WORLDWIDE SUBSIDIARIES AND AFFILIATES (TE). IT MAY NOT BE DISCLOSED TO ANYONE, OTHER THAN TE PERSONNEL, WITHOUT AUTHORIZATION FROM TE (www.te.com).

LOC  
ES  
DIST

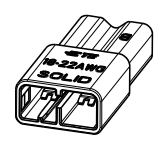
E	ECR-18-018978	15FEB2019	F.F	M.S
D	ECR-17-014471	29SEP2017	F.F	M.S
C	ECR-17-000969	20DEC2016	M.S	X.X
P	LTR	REVISION RECORD	DATE	DWN APVD

DIMENSIONS:		TOLERANCES UNLESS OTHERWISE SPECIFIED:	
mm		± 0.15	
		0-PLC ± 1-PLC ± 2-PLC ± 3-PLC ± 4-PLC ±	
ANGLES ± 1°			
SURFACE TEXTURE			

DWN	15FEB2019	MATERIAL	HEAT TREAT
FRANK FAN		-	-
CHK	15FEB2019	TE Connectivity	
GEORGE FU			
APVD	15FEB2019	MING SHI	
NAME			
RECEPTACLE 2PINS WTOW CONNECTOR			
SCALE	SIZE	DRAWING NO	SHEET OF REV
4:1	A3	2834037	1 OF 2 E

DWG NO 2834037

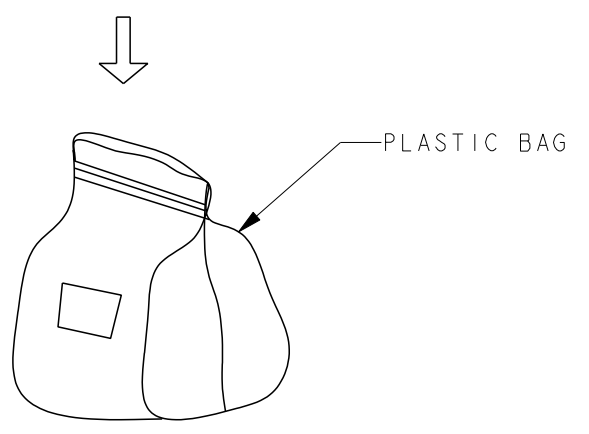
USED ON -



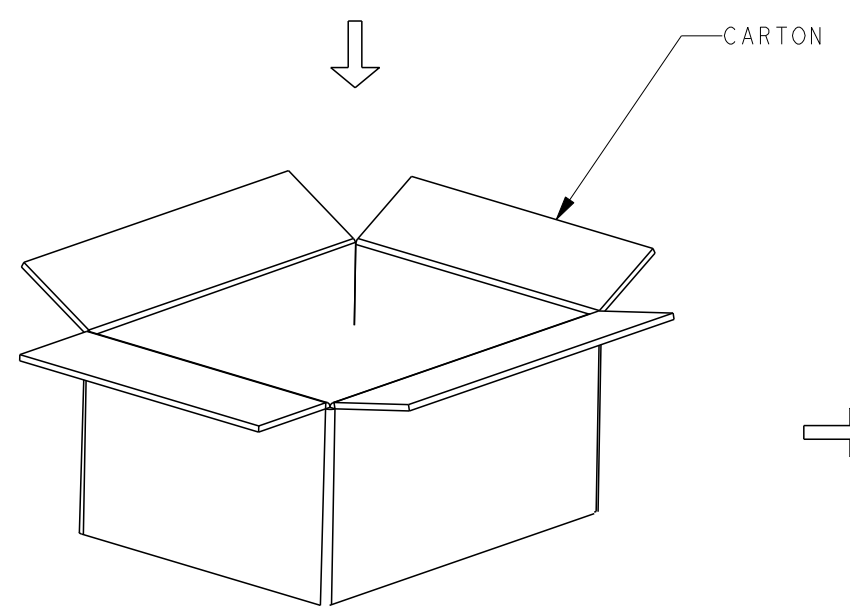
2834037-1

NOTE:  
 1. PACKAGING SPECIFICATION: 107-137197  
 2. PACKAGING QUANTITY: SEE TABLE.  
 3. SUPPLIER PN.

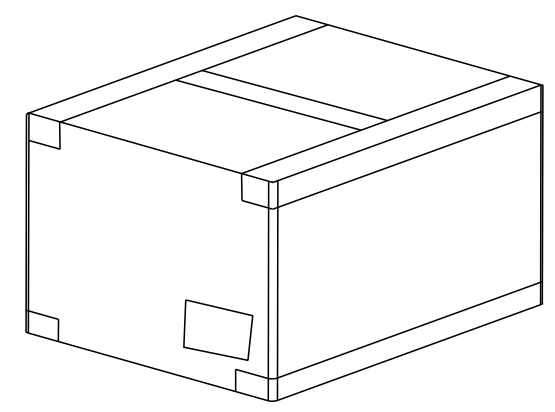
PARTS PER BAG	BAGS PER CARTON	PARTS PER CARTON
500	8	4000



PLASTIC BAG



CARTON



ITEM	DESCRIPTION	PART NO.	Q'ty		
PRODUCT COMPONENTS	1	REC HOUSING (ORANGE)	2834177-1	1	
		REC HOUSING (BLACK)	2834177-2		
		REC HOUSING (WHITE)	2834177-3		
PACKAGING MATERIAL	2	CONTACT-L	2834178-3	1	
	3	CONTACT-R	2834178-4	1	
	1	CARTON	0502000010138	1/4000	
	2	PLASTIC BAG	0502000010170	1/500	
	3	CUSHION	0502000010171	1/2000	
	4	SEALING TAPE	995575-1	AR	
	5	LABEL	999103-1	1/4000	
	6	INFORMATION SHEET	N/A	1/4000	
	-	-	-	2834037-1	2834037-2
	-	-	-	ASSEMBLY PART NO.	

THIS INFORMATION IS CONFIDENTIAL AND PROPRIETARY TO TYCO ELECTRONICS CORPORATION AND ITS WORLDWIDE SUBSIDIARIES AND AFFILIATES (TE). IT MAY NOT BE DISCLOSED TO ANYONE, OTHER THAN TE PERSONNEL, WITHOUT AUTHORIZATION FROM TE (www.te.com).

LOC  
ES  
DIST

P	LTR	REVISION RECORD	DATE	DWN	APVD
		SEE SHEET 1			

DIMENSIONS:		TOLERANCES UNLESS OTHERWISE SPECIFIED:	
mm		0 PLC	±
		1 PLC	±
		2 PLC	±
		3 PLC	±
		4 PLC	±
ANGLES ± 1°		SURFACE TEXTURE	

DWN	15FEB2019	MATERIAL		HEAT TREAT	
CHK	FRANK FAN				
APVD	15FEB2019				
NAME	GEORGE FU	TE Connectivity			
	MING SHI				
MODULAR RECEPTACLE 2PINS WTOW CONNECTOR					
SCALE	4:1	SIZE	A3	DRAWING NO	2834037
SHEET	2	OF	2	REV	E