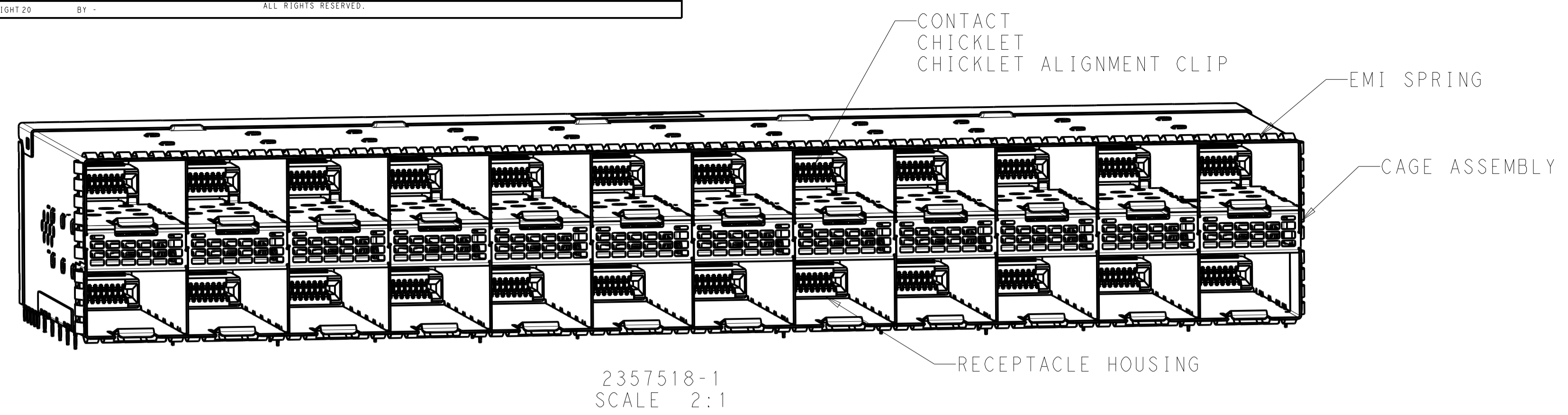
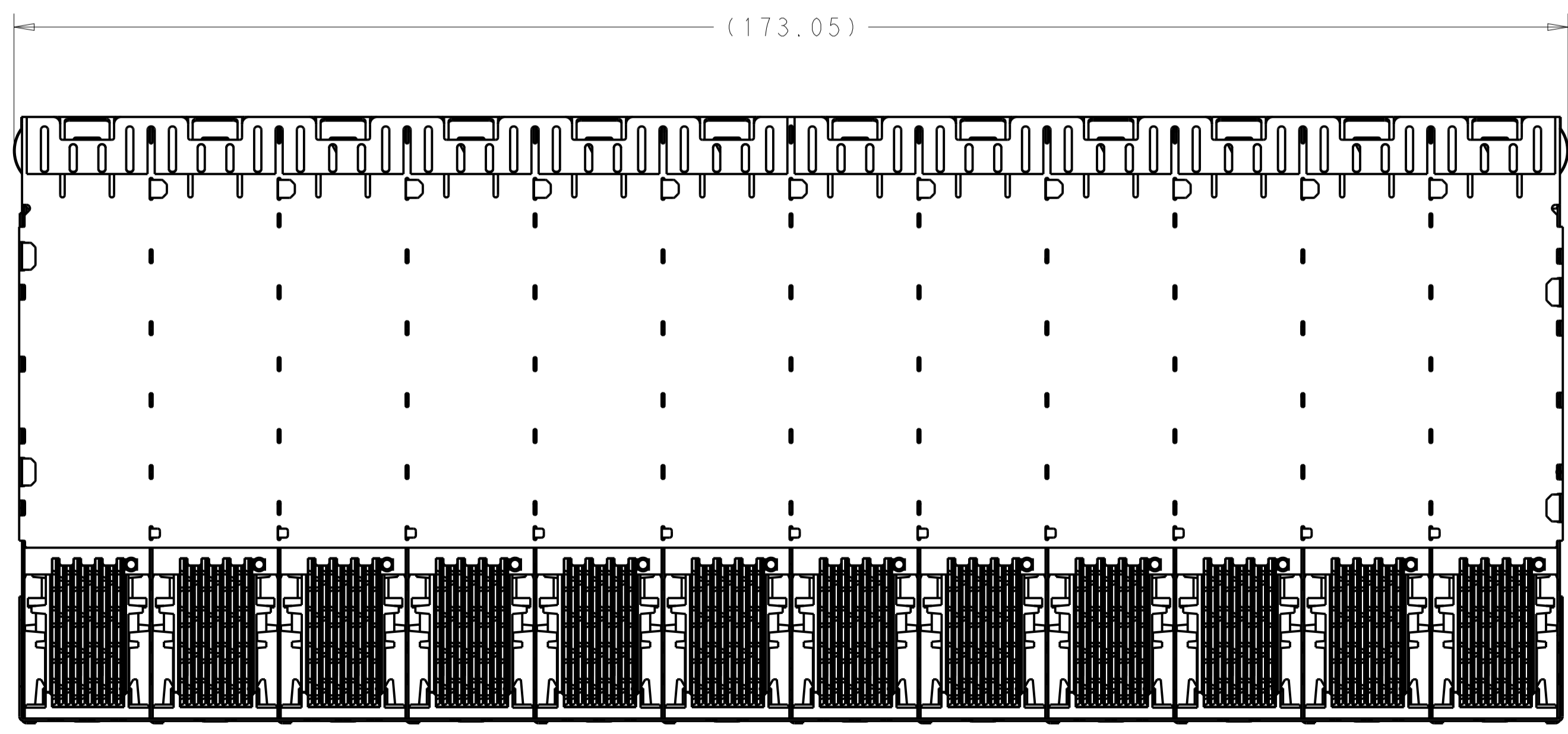
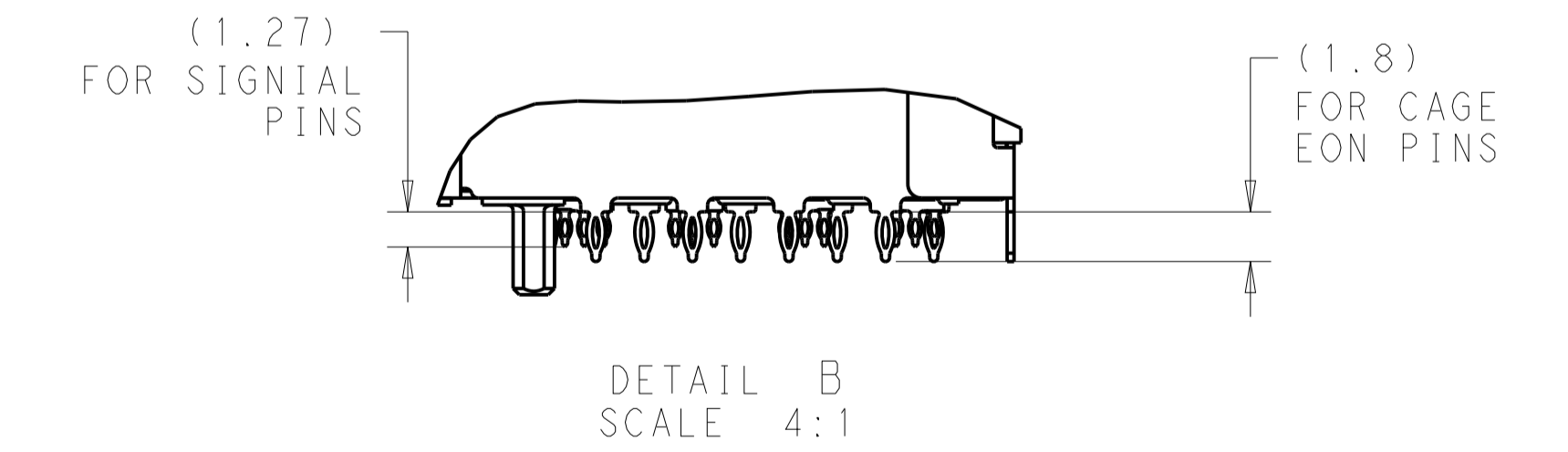
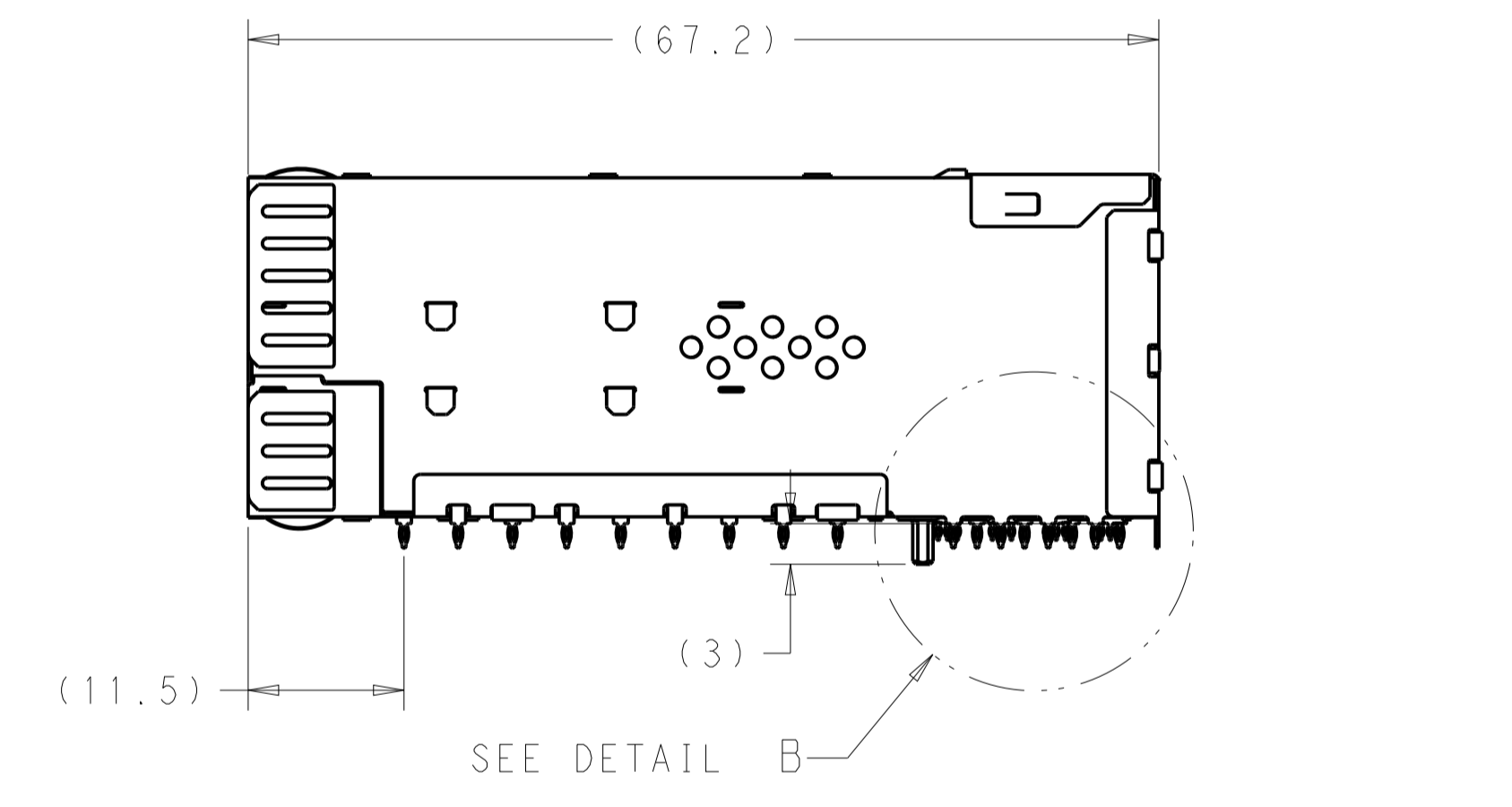
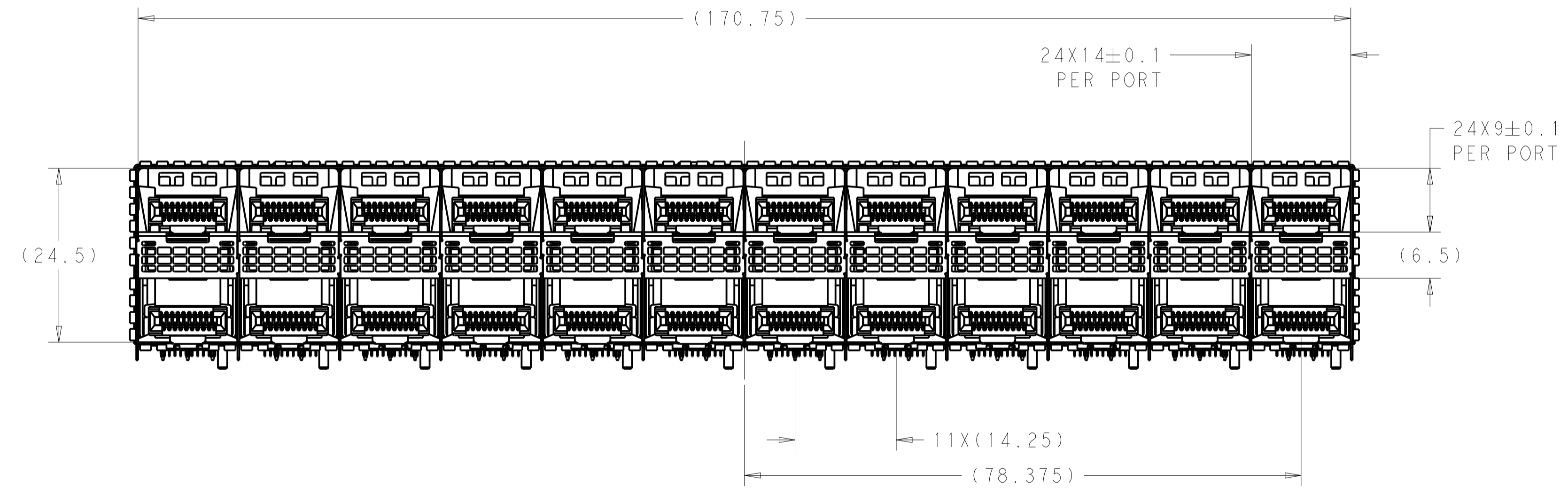


LOC	DIST	REVISIONS			
GP	00	REV	DATE	BY	CHK
		A	23OCT2019	JY	SH
		B	03SEP2020	JW	SH



2357518-1  
SCALE 2:1

- MATERIALS:  
 CAGE ASSEMBLY - STAINLESS STEEL  
 CONNECTOR HOUSING - LCP, BLACK, UL 94V-0 RATED  
 CHICKLET - LCP, BLACK, UL 94V-0 RATED  
 CHICKLET ALIGNMENT CLIP - PBT  
 CONTACT - COPPER ALLOY  
 EMI SPRINGS - PHOSPHOR BRONZE PER ASTM B 103,  
 0.8µm MIN TIN OVER NICKEL PATING
  - CONTACT FINISH:  
 0.76µm MIN GOLD PER ASTM B 844 AT MATING INTERFACE,  
 1.25µm MIN MATTE TIN PER ASTM B 545 AT PCB INTERFACE  
 ALLOY 2.54µm MIN NICKEL PER QQ-N-290.
  - PCB MINIMUM THICKNESS FOR SINGLE SIDE= 1.5mm MIN  
 PCB MINIMUM THICKNESS FOR BELLY TO BELLY=3mm MIN
- △ FOR HOLE SIZE AND PLATINGS,  
SEE APPLICATION SPECIFICATION 114-13319
- △ LIGHT PIPE PAD LAYOUT IS FOR 0805 LOW PROFILE  
LED PACKAGE WITH A HEIGHT OF 0.5mm
- △ DIMENSIONS APPLY FOR EMI SPRINGS ONLY
- △ THE ENTIRE AREA OF THE CONNECTOR FOOTPRINT,  
INDICATED BY THE DASHED LINE, TO BE CONSIDERED  
THE KEEPOUT AREA FOR COMPONENTS AND SIGNAL TRACES,  
TOP SIDE ONLY, TOP SIDE TRACES ALLOWED WITHIN  
CONNECTOR HOLE PATTERN



173.5	EMI SPRINGS AIRFLOW ENHANCE TYPE	2357518-1
(E)	CAGE TYPE	PART NUMBER

THIS DRAWING IS A CONTROLLED DOCUMENT. DIMENSIONS: mm. TOLERANCES UNLESS OTHERWISE SPECIFIED: 0 PLC ±, 1 PLC ±0.25, 2 PLC ±0.25, 3 PLC ±0.25, 4 PLC ±, ANGLES ±.

FINISH: SEE NOTES

OWN: J. WANG 30MAY2019  
 CHK: S. HAN 30MAY2019  
 APVD: S. HAN 30MAY2019

PRODUCT SPEC: 108-60129  
 APPLICATION SPEC: 114-13319

WEIGHT: -  
 CUSTOMER DRAWING

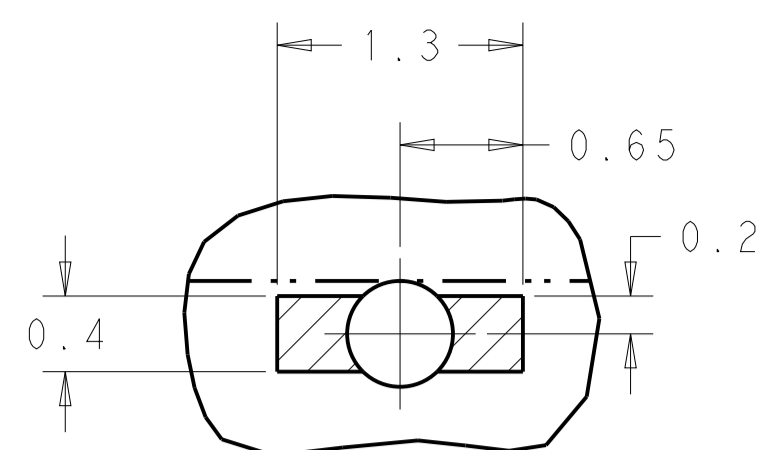
RESTRICTED TO: -

SCALE: 2:1 SHEET 1 OF 4 REV B

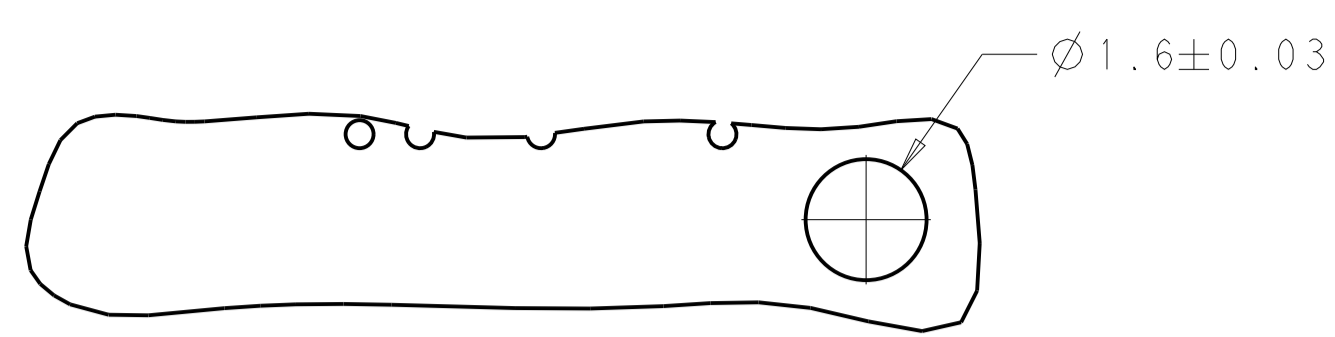
TE Connectivity  
 RECEPTACLE ASSEMBLY, 2X12  
 ZSFP+ STACKED BELLY TO BELLY

SIZE: CAGE CODE DRAWING NO: A100779  
 DRAWING NO: C=2357518

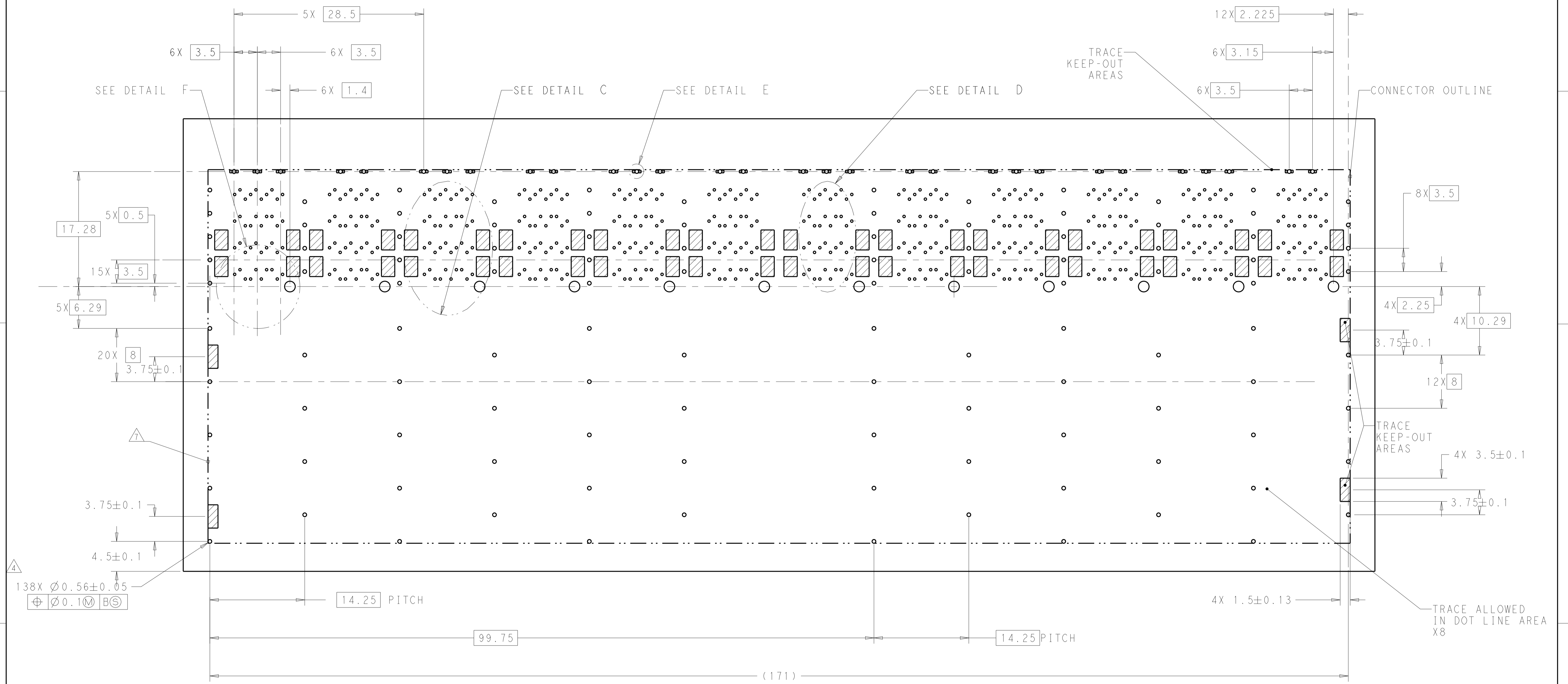
LOC		DIST		REVISIONS			
GP	00	PLN		DESCRIPTION	DATE	DMN	APVD
				SEE SHEET 1			



DETAIL E  
20 PLACES  
SCALE 25:1



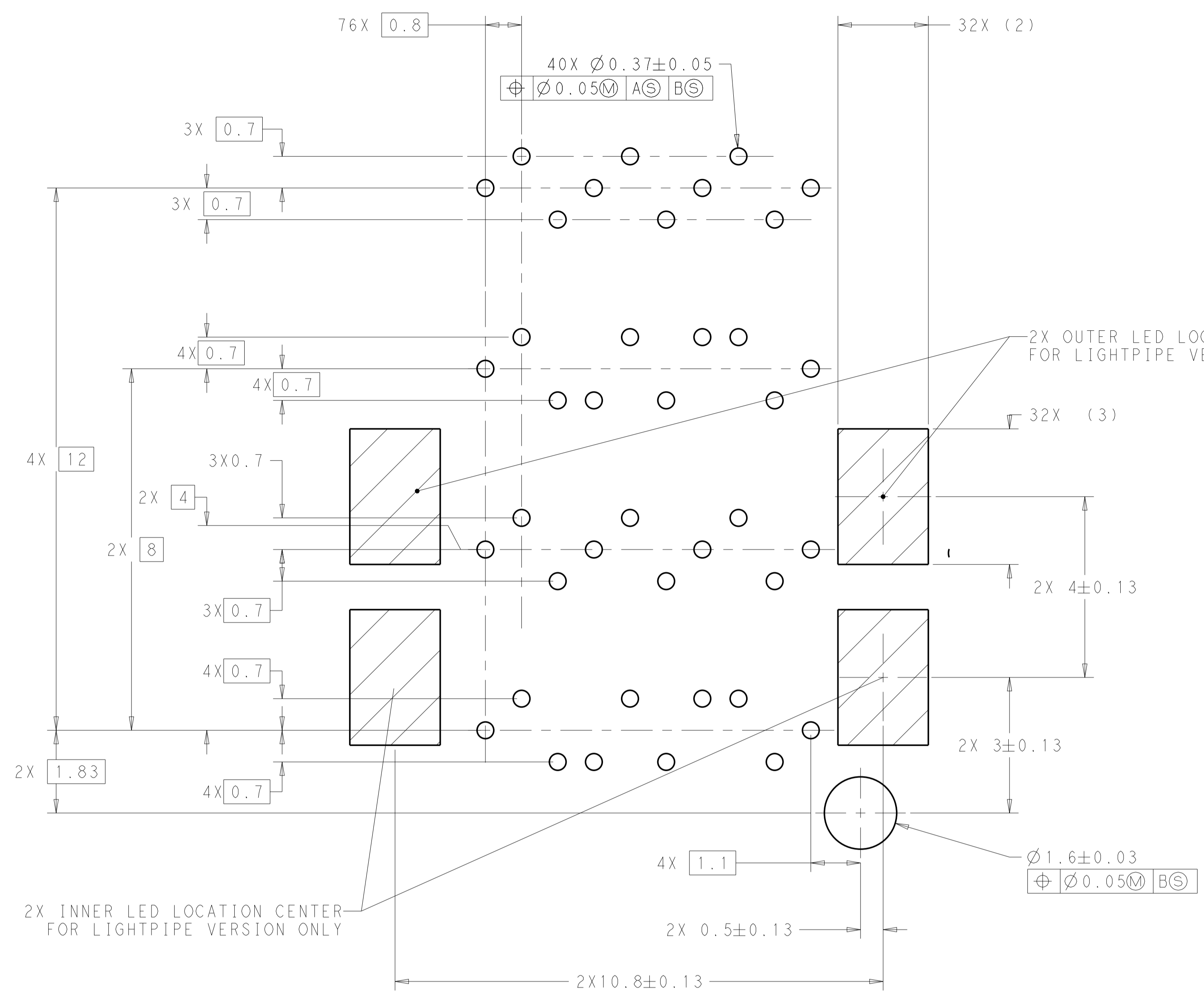
DETAIL F  
8 PLACES  
SCALE 10:1



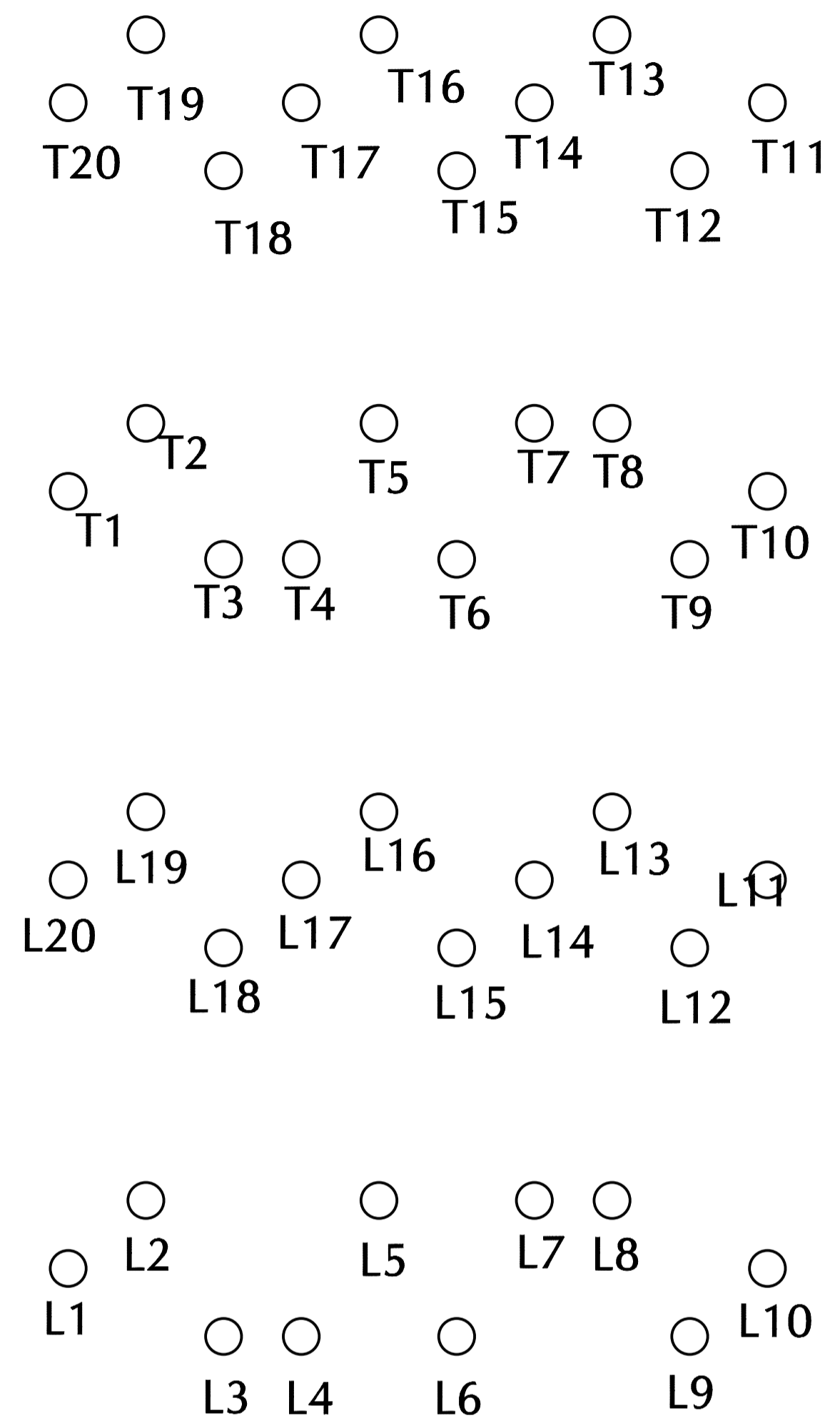
RECOMMENDED SINGLE SIDE PCB LAYOUT  
SCALE 7:2

THIS DRAWING IS A CONTROLLED DOCUMENT.		DMN J. WANG 30MAY2019	TE Connectivity										
DIMENSIONS: mm		CHK S. HAN 30MAY2019											
TOLERANCES UNLESS OTHERWISE SPECIFIED:		APVD S. HAN 30MAY2019	NAME RECEPTACLE ASSEMBLY, 2X12 ZSFP+ STACKED BELLY TO BELLY										
<table border="1"> <tr><td>0 PLC</td><td>±</td></tr> <tr><td>1 PLC</td><td>±0.25</td></tr> <tr><td>2 PLC</td><td>±0.25</td></tr> <tr><td>3 PLC</td><td>±0.25</td></tr> <tr><td>4 PLC</td><td>±</td></tr> </table>		0 PLC	±	1 PLC	±0.25	2 PLC	±0.25	3 PLC	±0.25	4 PLC	±	PRODUCT SPEC 108-60129	SIZE 114-13319
0 PLC	±												
1 PLC	±0.25												
2 PLC	±0.25												
3 PLC	±0.25												
4 PLC	±												
MATERIAL SEE NOTES		APPLICATION SPEC 114-13319	RESTRICTED TO										
FINISH SEE NOTES		WEIGHT	A100779C=2357518										
CUSTOMER DRAWING		SCALE 3:1	SHEET 2 OF 4 REV B										

LOC	DIST	REV	DATE	BY	APPV
GP	00				

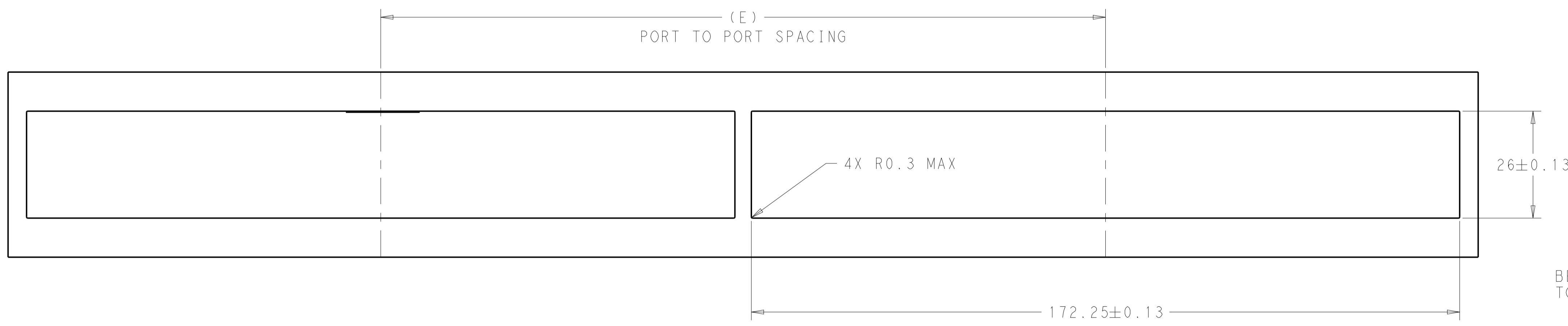


DETAIL C  
RECOMMENDED PIN AND LIGHT PIPE LAYOUT  
12X INDIVIDUALLY  
SCALE 15:1

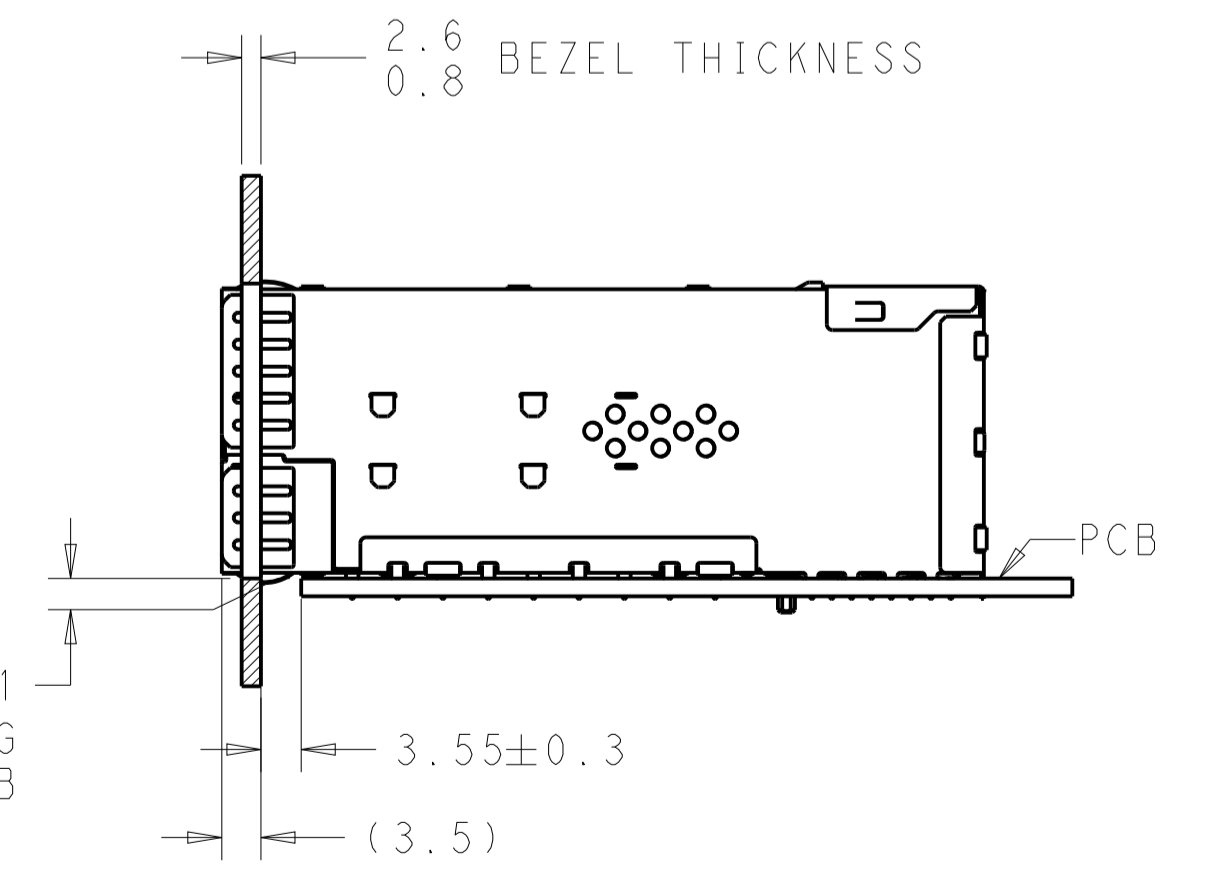


PIN MAP LEGEND	
PIN NUMBER	FUNCTION
L1/T1	VEET
L2/T2	TX-FAULT
L3/T3	TX-DISABLE
L4/T4	SDA
L5/T5	SCL
L6/T6	MOD_ABS
L7/T7	RSO
L8/T8	RX_LOS
L9/T9	RSI
L10/T10	VEER
L11/T11	VEER
L12/T12	RD-
L13/T13	RD+
L14/T14	VEER
L15/T15	VCCR
L16/T16	VCCT
L17/T17	VEET
L18/T18	TD+
L19/T19	TD-
L20/T20	VEET

DETAIL D  
PIN MAP  
8X PLACES  
SCALE 18:1



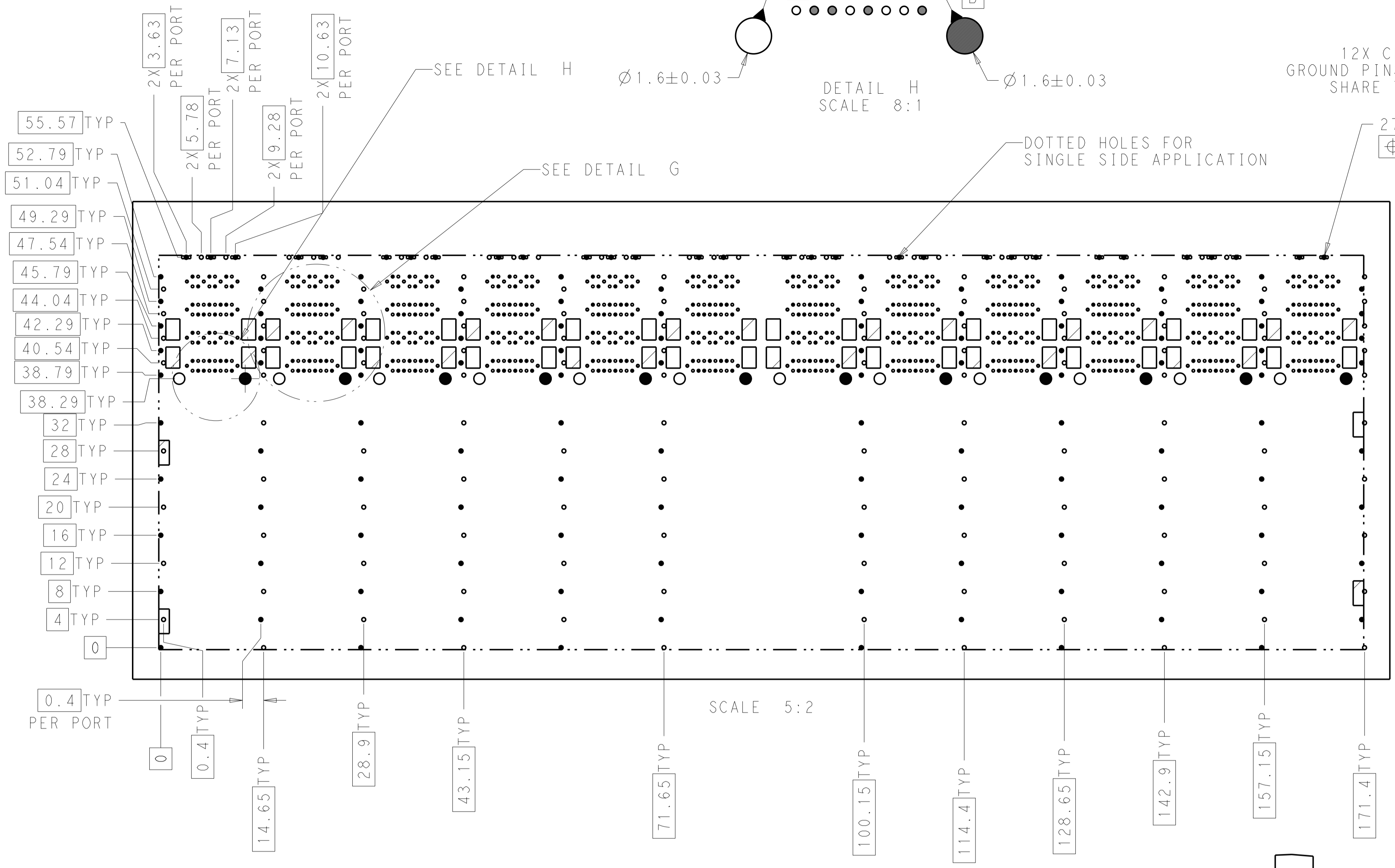
RECOMMENDED BEZEL CUT-OUT DETAIL  
SCALE 3:2



THIS DRAWING IS A CONTROLLED DOCUMENT.		DWN: J. WANG 30MAY2019 CHK: S. HAN 30MAY2019 APVD: S. HAN 30MAY2019	TE Connectivity
DIMENSIONS: mm	TOLERANCES UNLESS OTHERWISE SPECIFIED: 0 PLC ±: 1 PLC ±0.25 2 PLC ±0.25 3 PLC ±0.25 4 PLC ±: ANGLES ±:	PRODUCT SPEC: 108-60129 APPLICATION SPEC: 114-13319	
MATERIAL: SEE NOTES	FINISH: SEE NOTES	SIZE: A1100779 CAGE CODE: C=2357518 WEIGHT: - CUSTOMER DRAWING	RESTRICTED TO: - SCALE: 3:1 SHEET 3 OF 4 REV B

LOC	DIST	REV	DATE	APPV
GP	00			

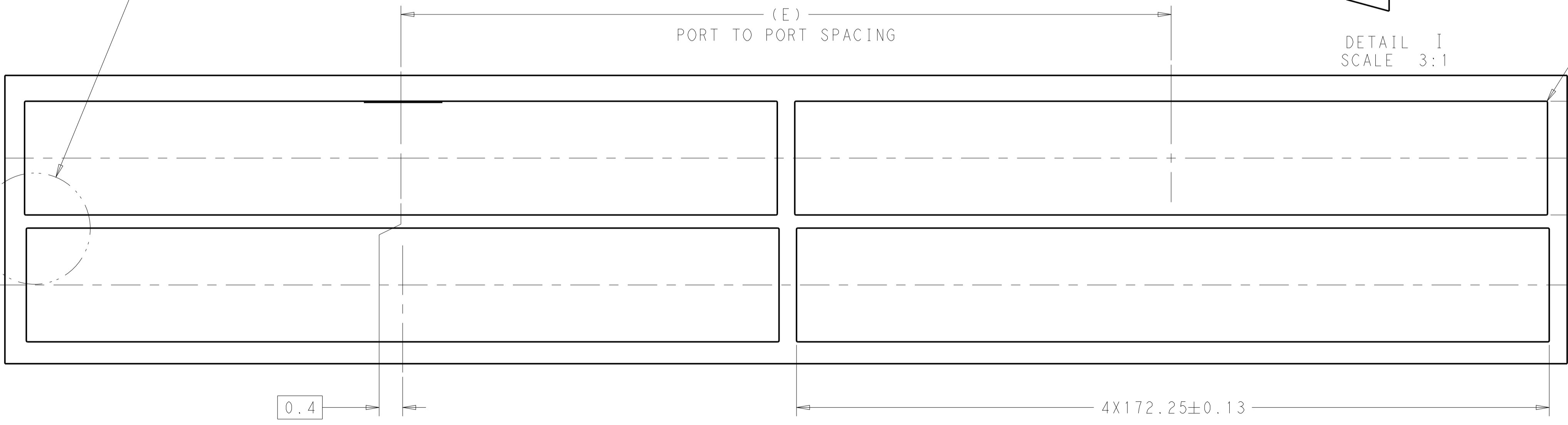
REVISIONS				
NO.	DESCRIPTION	DATE	BY	APPV
1	SEE SHEET 1			



SCALE 5:2

RECOMMENDED BELLY TO BELLY PCB LAYOUT UNMAKRED DIMENSIONS SAME AS SINGLE SIDE LAYOUT

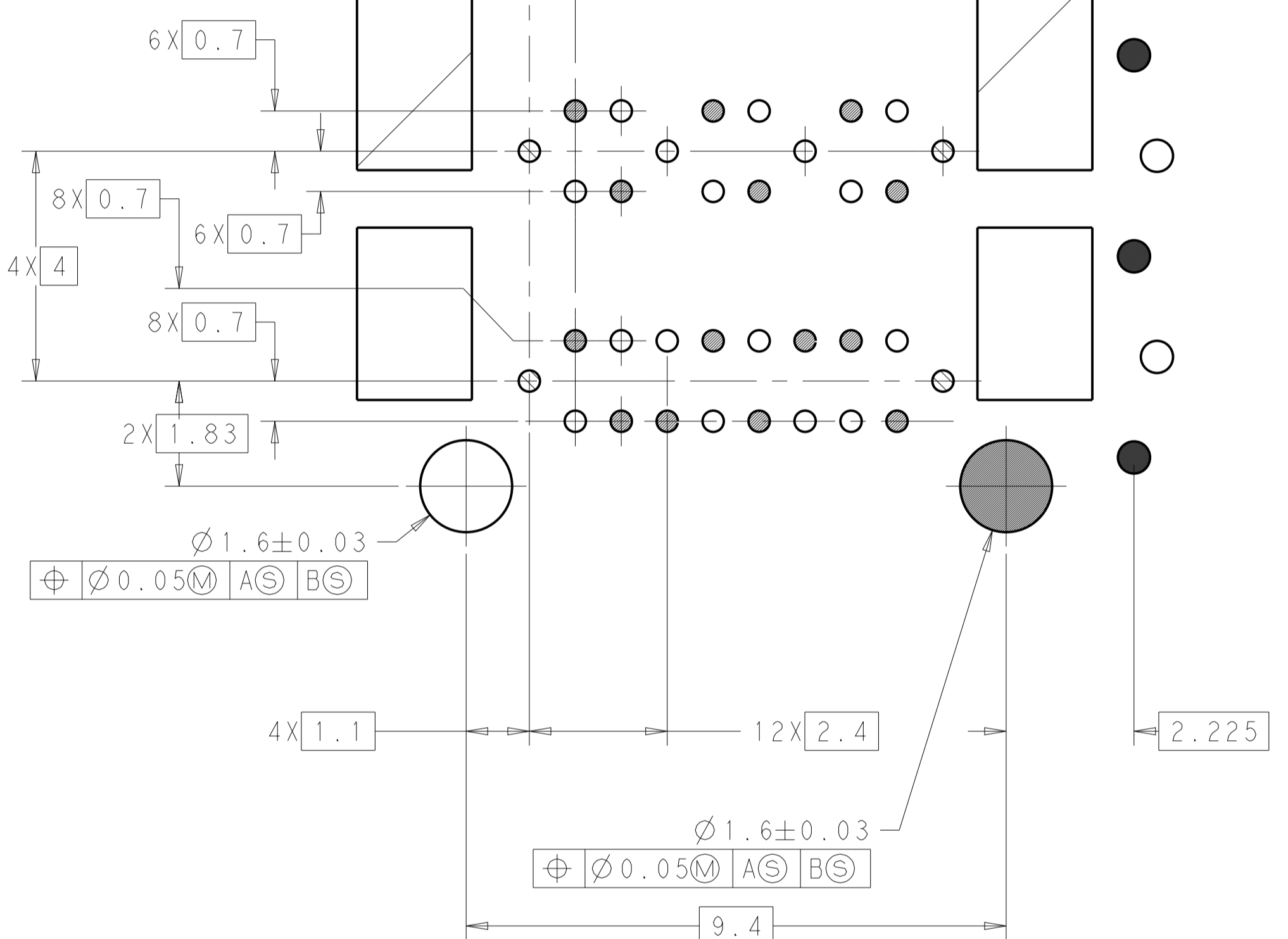
DETAIL I SCALE 3:1



RECOMMENDED BEZEL CUT-OUT DETAIL FOR BELLY TO BELLY APPLICATION SCALE 3:2

28X HOLES FOR SIGNAL PINS FROM OPPOSITE SIDE OF PCB PADS REMOVED WITH BACK DRILL RECOMMENDED

4X LIGHTPIPE LOCATION ONLY FOR W LIGHTPIPE VERSION



DETAIL G 12 SPACES SCALE 12:1

THIS DRAWING IS A CONTROLLED DOCUMENT.		OWN: J. WANG 30MAY2019		TE Connectivity
DIMENSIONS: mm		CHK: S. HAN 30MAY2019		NAME: RECEPTACLE ASSEMBLY, 2X12 ZSFP+ STACKED BELLY TO BELLY
TOLERANCES UNLESS OTHERWISE SPECIFIED:		APPV: S. HAN 30MAY2019	PRODUCT SPEC: 108-60129	RESTRICTED TO:
0 PLC ±0.25		APPL: S. HAN 30MAY2019	APPLICATION SPEC: 114-13319	SIZE: A1
1 PLC ±0.25		ANGLES: 114-13319	WEIGHT: 0.2357518	CAGE CODE: 2357518
2 PLC ±0.25		FINISH: SEE NOTES	CUSTOMER DRAWING	SCALE: 3:1
3 PLC ±0.25				SHEET: 4 OF 4
4 PLC ±0.25				REV: B