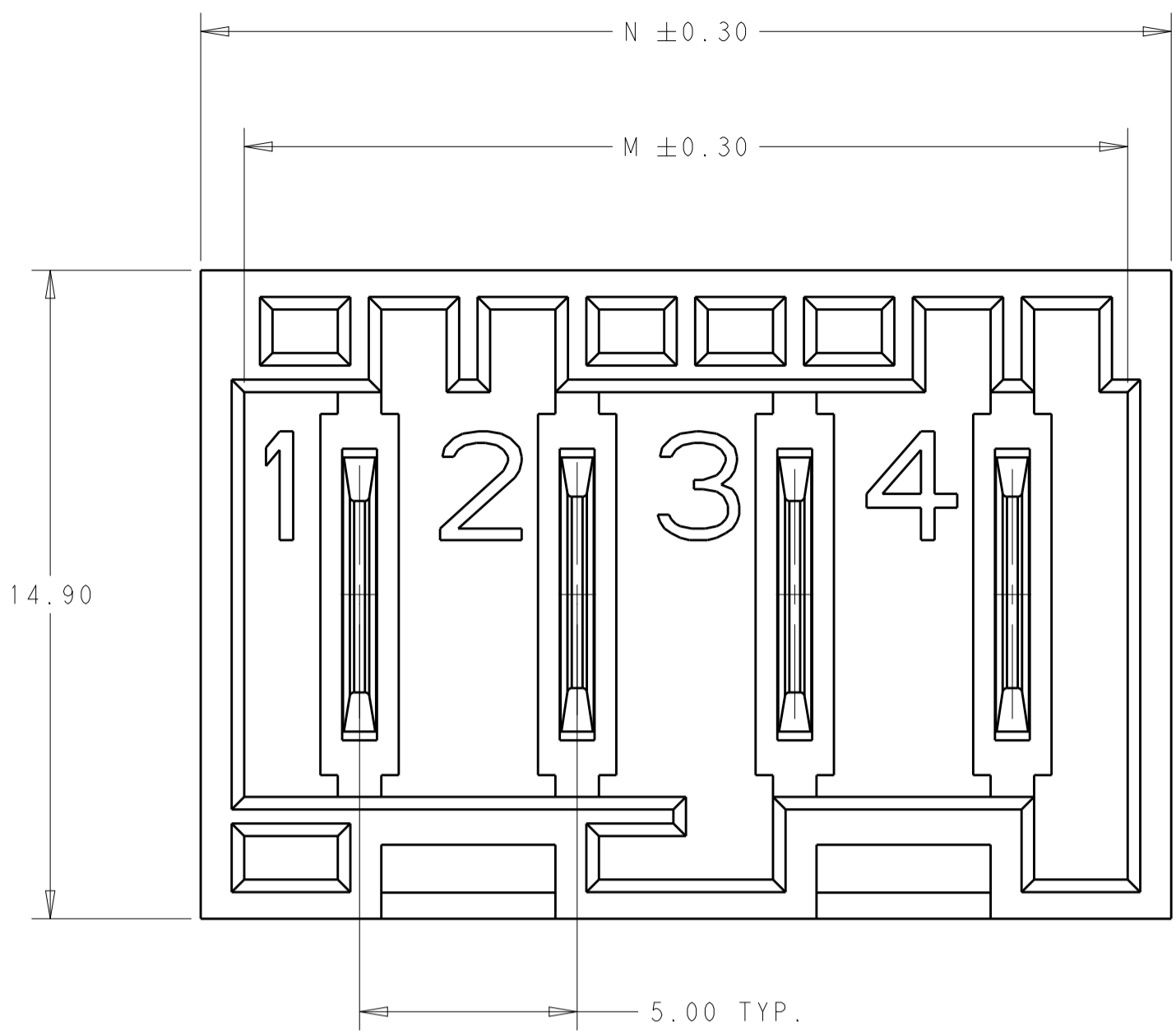
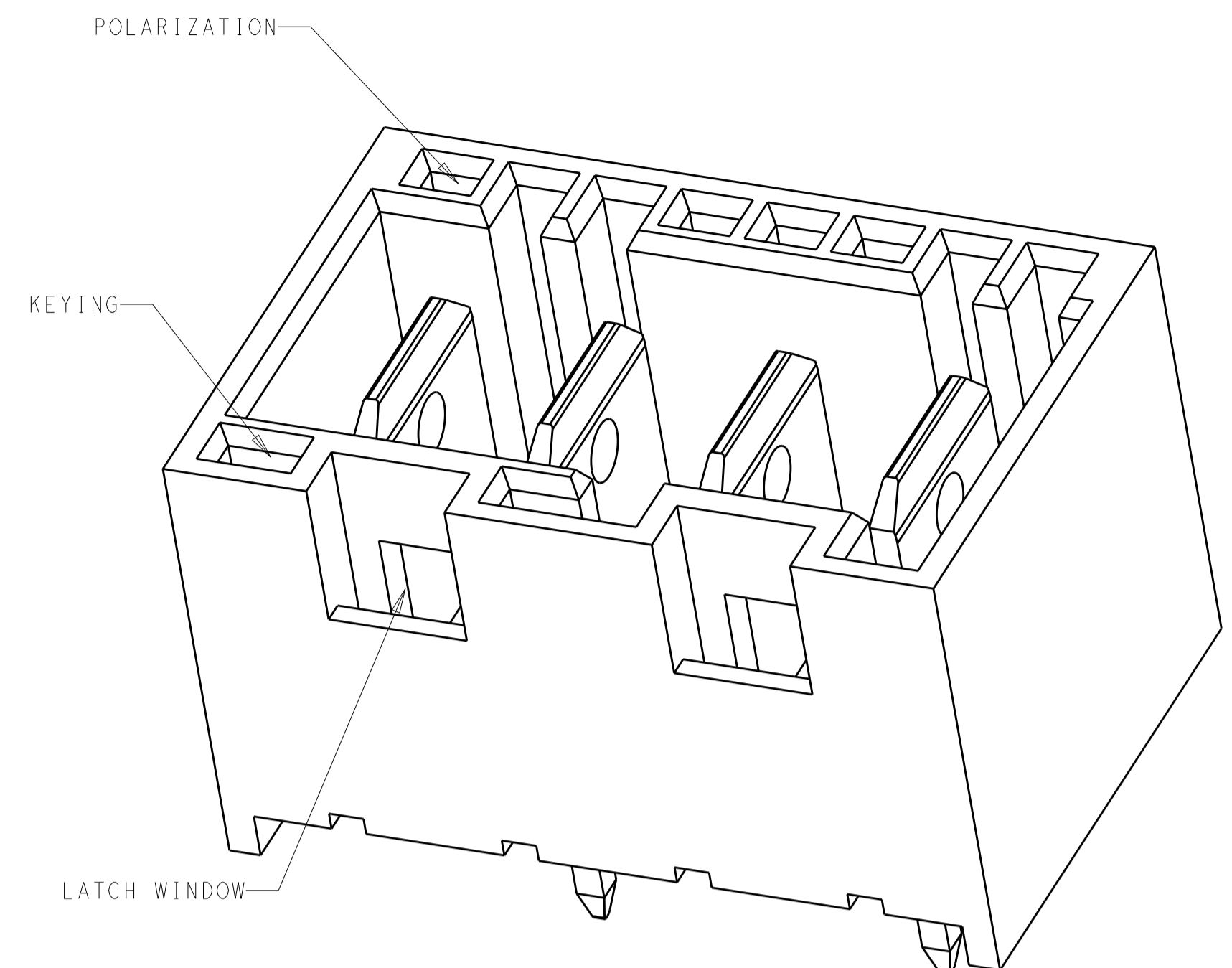
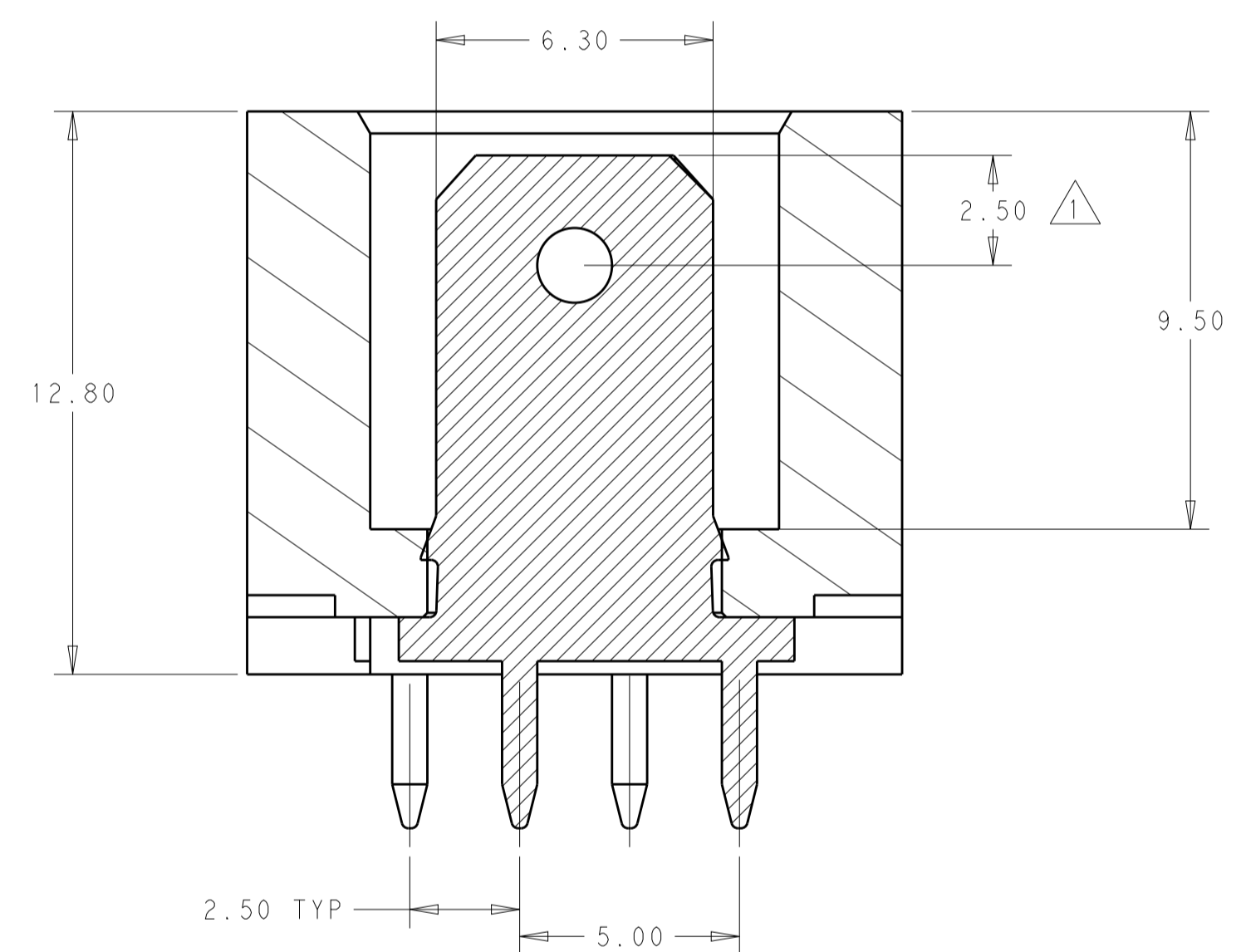
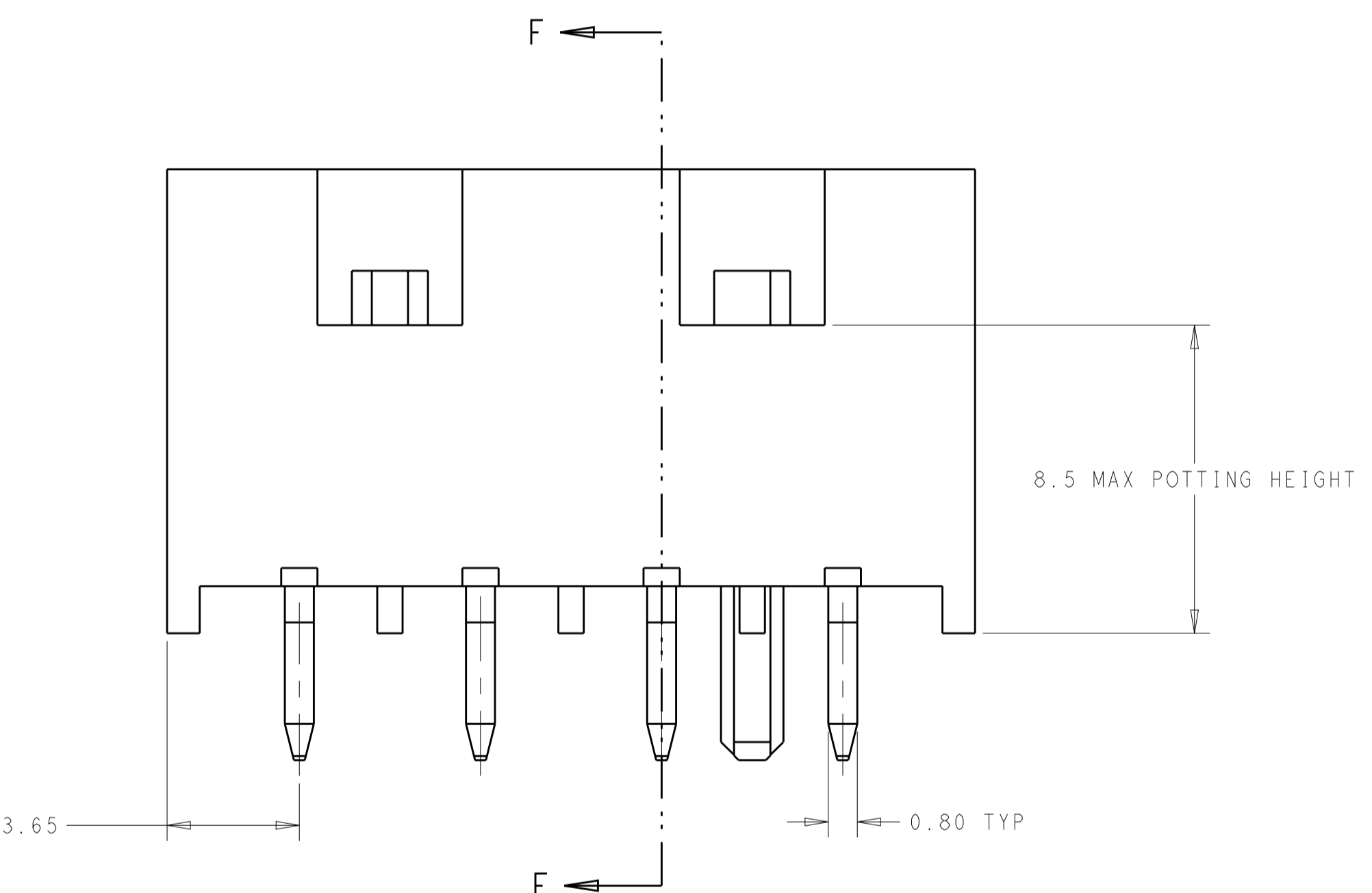
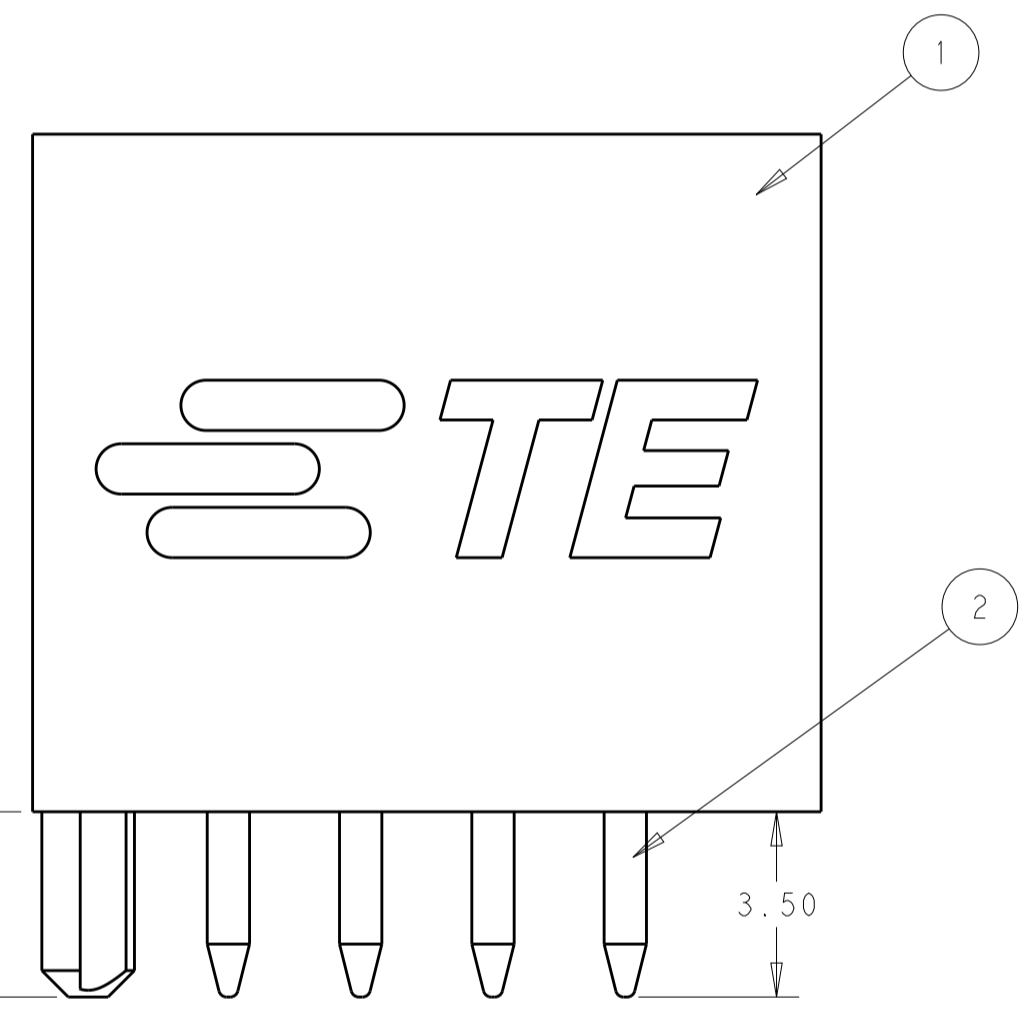


REVISIONS					
P.	LTM	DESCRIPTION	DATE	OWN	APVD
A1		ECR-18-007609	17MAY2018	WW	FL
A2		REVISED PER ECR-18-007310	23MAY2018	BDA	MD
A3		ECR-18-017375	08NOV2018	KD	FL
A4		ECR-19-000258	15JAN2019	KD	FL

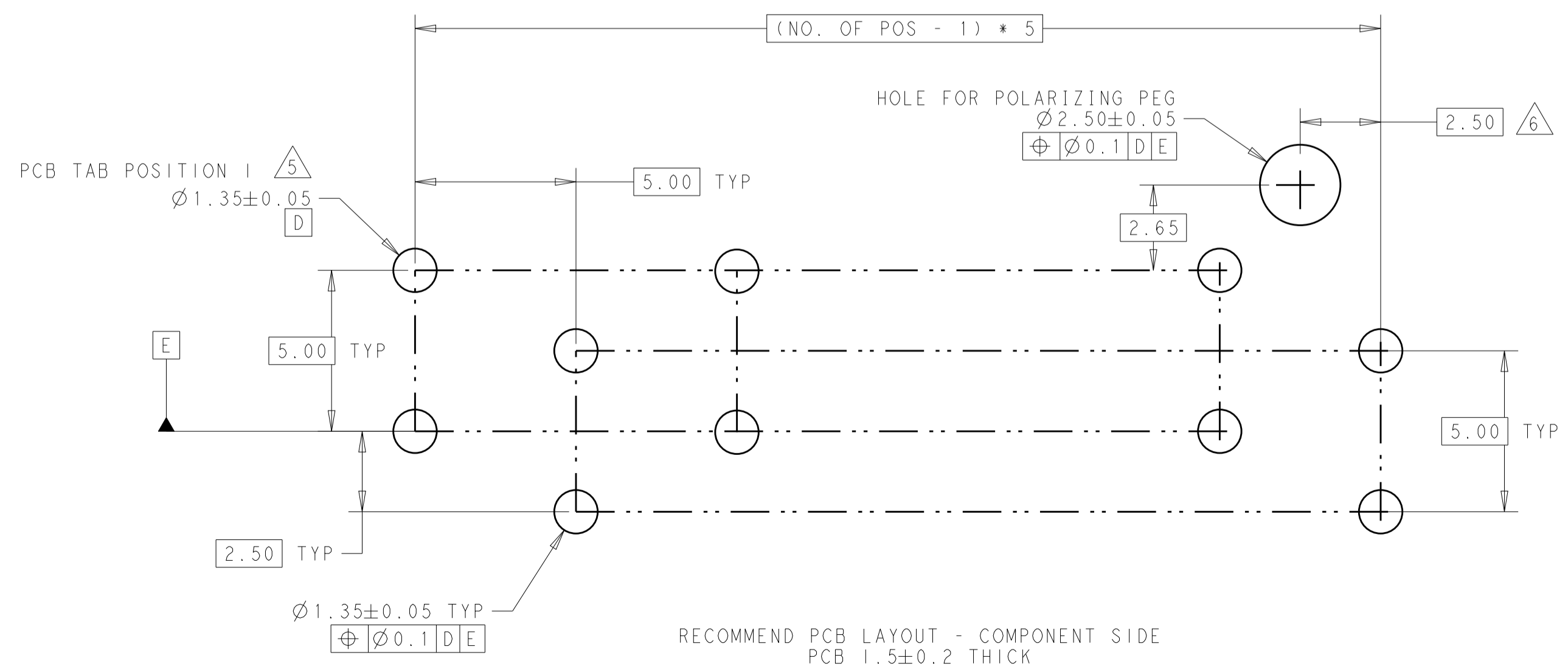


NOTES:

- △ HOUSING HAS RAST 5 COMPLIANT KEYING, LATCHING, AND POLARIZATION TAB IS 6.30 X 0.8, HOWEVER THE LOCATION OF THE TAB HOLE DOES NOT MEET DIN 46244
- 2 SEE SHEET 2 FOR AVAILABLE CONFIGURATIONS
- 3 MATERIAL: HOUSING, NYLON, UL94 V0, 750°C GWT NO FLAME  
CONTACT: COPPER ALLOY, 0.8MM THICK
- 4 FINISH: CONTACTS, MATTE TIN PLATING OVERALL, NICKEL UNDER-PLATING
- △ PCB TABS INSERTED IN A STAGGERED PATTERN BEGINNING WITH POSITION 1
- △ DIMENSION OFF OF LAST POSITION REGARDLESS OF EVEN OR ODD POSITION HEADER
- 7 PACKAGING: LOOSE PIECE
- △ PRELIMINARY PART - NOT RELEASED FOR PRODUCTION  
THIS PRODUCT HAS NOT COMPLETED QUALIFICATION TESTING



SECTION F-F



RECOMMEND PCB LAYOUT - COMPONENT SIDE  
PCB 1.5 ± 0.2 THICK

20.30	22.30	4
15.30	17.30	3
10.30	12.30	2
M	N	NO. OF POS.

THIS DRAWING IS A CONTROLLED DOCUMENT.

OWN: J. POTERJOY 09APR2015  
CHK: F. LUPO 09APR2015  
APVD: R. ROBONE 09APR2015

TE Connectivity

NAME: RAST 5 HDR ASSY, POSITIVE-LOCK SHROUDED, VERTICAL

PRODUCT SPEC: 108-106080

APPLICATION SPEC:

SIZE: A1 CAGE CODE: DRAWING NO: 2292457

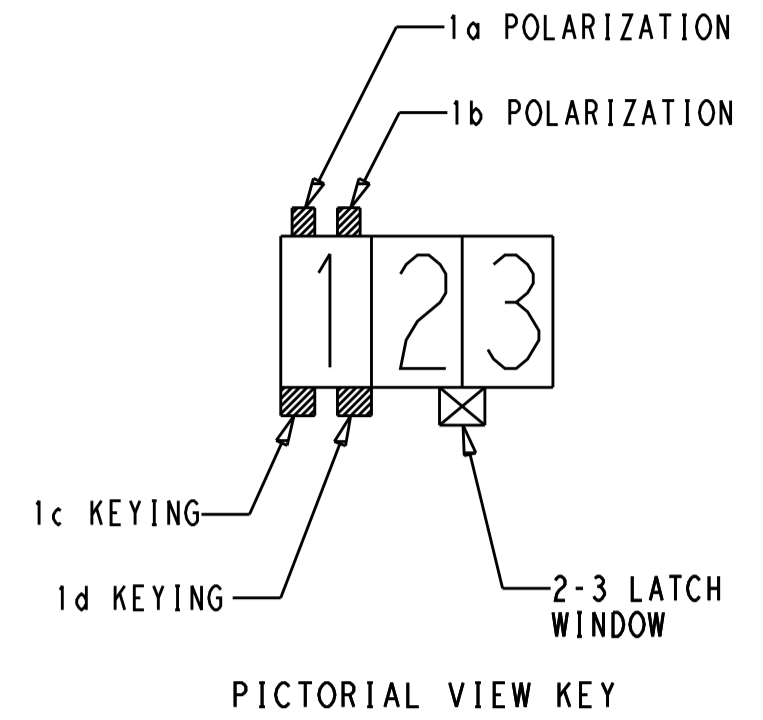
RESTRICTED TO:

MATERIAL: SEE NOTES FINISH: SEE NOTES WEIGHT: CUSTOMER DRAWING

SCALE: 7:1 SHEET 1 OF 2 REV: A4

THIS DRAWING IS UNPUBLISHED. RELEASED FOR PUBLICATION 20  
 © COPYRIGHT 20 BY - ALL RIGHTS RESERVED.

REVISIONS				
P.	LTN	DESCRIPTION	DATE	APPD
-	-	SEE SHEET 1	-	-



	NATURAL	4	POSITIVE-LOCK TAB CONTACT WITH MATTE TIN PLATING	1	RAST 5 TAB HEADER HOUSING	4	3-2292457-4
	NATURAL	4				4	1-2292457-4
	NATURAL	4				4	2292457-4
	NATURAL	3				3	1-2292457-3
	NATURAL	3				3	2292457-3
	BLACK	2				2	3-2292457-2
	NATURAL	2				2	1-2292457-2
	NATURAL	2				2	2292457-2
LAYOUT	COLOR	QTY	TAB CONTACT	QTY	HEADER HOUSING	NO. OF POS	TE PART NO.

THIS DRAWING IS A CONTROLLED DOCUMENT.

DIMENSIONS: mm	TOLERANCES UNLESS OTHERWISE SPECIFIED:	0 PLC ±	1 PLC ±	2 PLC ±0.25	3 PLC ±	4 PLC ±	ANGLES ±°	FINISH
SEE NOTES	SEE NOTES							

APVD: J. POTERJOY 09APR2015	CHK: F. LUPO 09APR2015	APVD: P. ROBONE 09APR2015
NAME: RAST 5 HDR ASSY, POSITIVE-LOCK SHROUDED, VERTICAL	PRODUCT SPEC: 108-106080	APPLICATION SPEC: -
SIZE: A1	CAGE CODE: -	DRAWING NO: C=2292457
WEIGHT: -	SCALE: N/A	SHEET 2 OF 2
CUSTOMER DRAWING	RESTRICTED TO: -	REV: A4

4805 (3/13)