

4

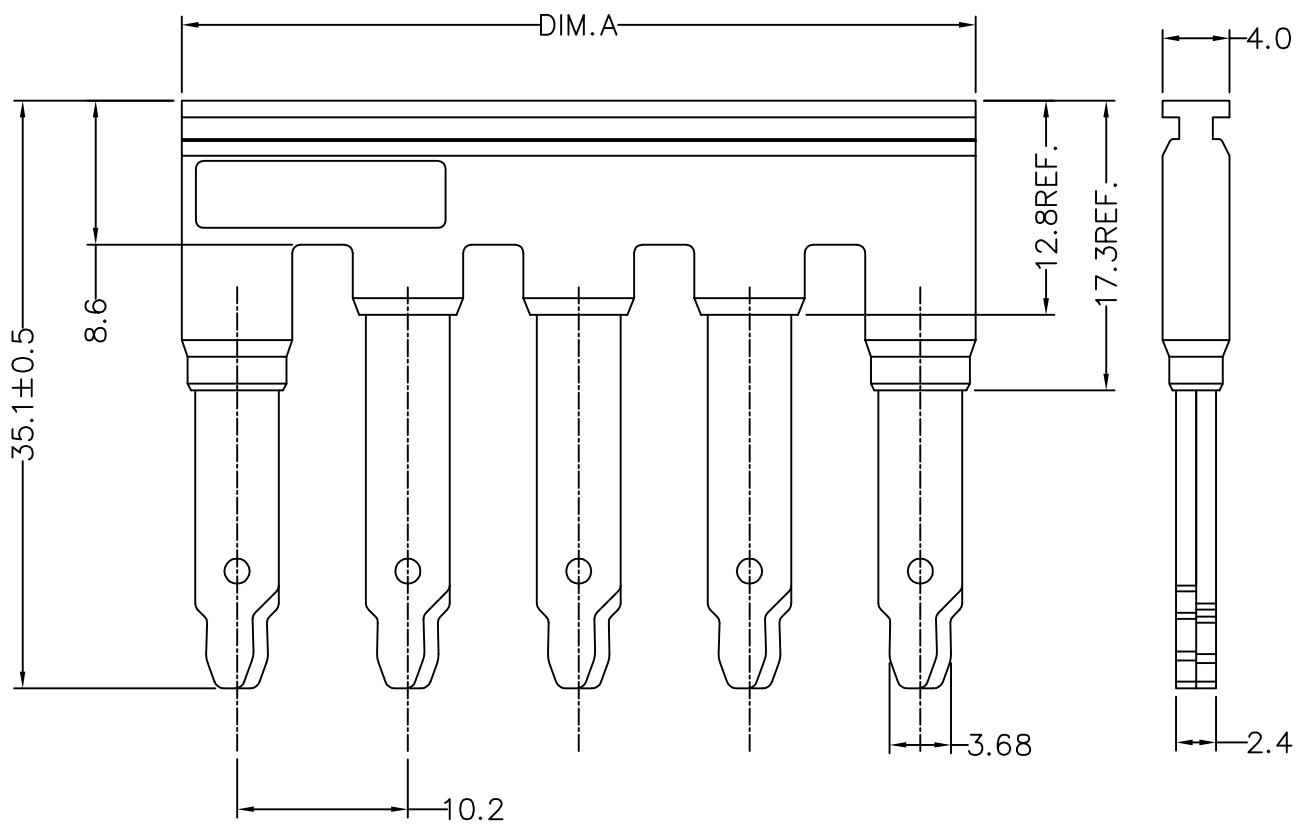
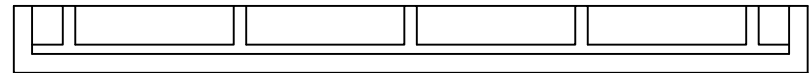
3

2

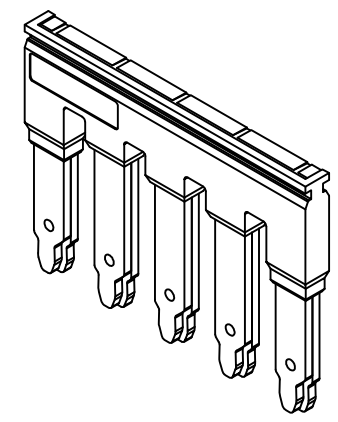
1

THIS DRAWING IS UNPUBLISHED.      RELEASED FOR PUBLICATION      - . - .  
 © COPYRIGHT - By -      ALL RIGHTS RESERVED.

REVISIONS				
P	LTR	DESCRIPTION	DATE	APVD
	A	OFFICIAL VERSION RELEASE	18DEC2015	F.Y X.X



- NOTES:
1. MATERIAL:  
HOUSING:PA66 ; TERMINAL:COPPER;
  2. PLATING:  
TERMINAL:Tin PLATED.
  3. APPLICABLE TO PRODUCT SERIES:10mm^2 SERIES;
  4. CONTINUOUS CURRENT: 65A/65A
  5. REQUIREMENT FOR ENVIRONMENTAL SUBSTANCES  
MUST BE COMPLIANCE WITH ROHS AND REACH.



TFBS5-10	2271622-5	5	47.4
TFBS2-10	2271622-1	2	16.8
TE SERIES No.	PART NUMBER	POLES(N)	DIM A

THIS DRAWING IS A CONTROLLED DOCUMENT.		DWN FENCER YU 18DEC2015	TE Connectivity	
		CHK KOBBYZ HAO 18DEC2015		
DIMENSIONS: mm		APVD XIANG XU 18DEC2015	NAME PLUG BRIDGE FOR 10MM^2 SERIES TERMINAL BLOCK	
		PRODUCT SPEC -	-	
TOLERANCES UNLESS OTHERWISE SPECIFIED: 0 PLC ± 0.50 1 PLC ± 0.35 2 PLC ± 0.25 3 PLC ± - 4 PLC ± - ANGLES ± 3°		APPLICATION SPEC 114-137138	SIZE A3	CAGE CODE 00779
MATERIAL -	FINISH -	WEIGHT -	DRAWING NO C=2271622	RESTRICTED TO -
CUSTOMER DRAWING			SCALE 1:1	SHEET 1 OF 1
			REV A	