

4

3

2

1

THIS DRAWING IS UNPUBLISHED.

RELEASED FOR PUBLICATION

ALL RIGHTS RESERVED.

© COPYRIGHT - By -

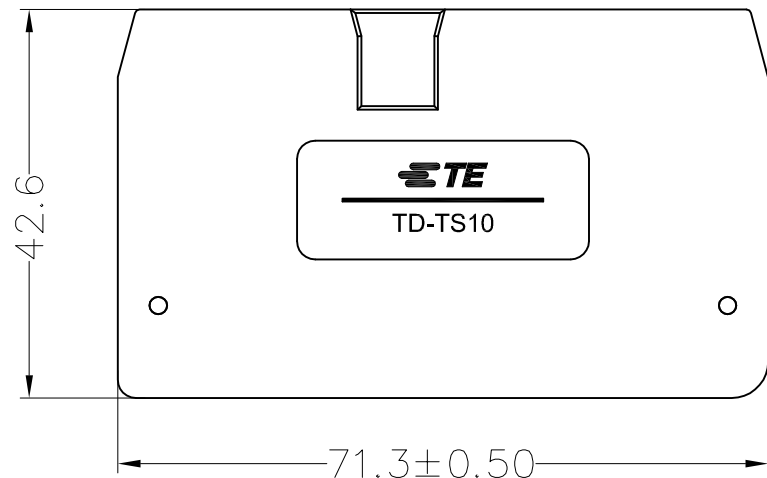
REVISIONS

P	LTR	DESCRIPTION	DATE	DWN	APVD
	A	OFFICIAL VERSION RELEASE	18DEC2015	F.Y	X.X

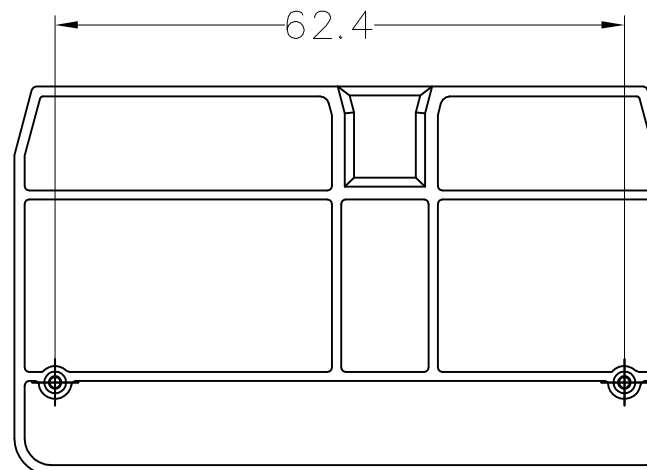


1.8

62.4



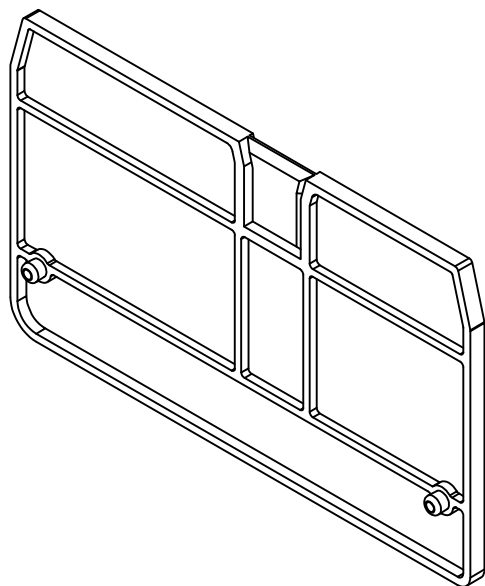
2.2



NOTES:

1. MATERIAL:THERMOPLASTIC
2. APPLICABLE TO PRODUCT SERIES:10mm^2,1 IN 1 OUT SERIES;
3. REQUIREMENT FOR ENVIRONMENTAL SUBSTANCES MUST BE COMPLIANCE WITH ROHS AND REACH.

TD-TS10	2271618-2	GREEN
	2271618-1	GRAY
TE SERIES No.	PART NUMBER	COLOR



THIS DRAWING IS A CONTROLLED DOCUMENT.

DWN FENCER YU 18DEC2015

CHK KOBBY ZHAO 18DEC2015

APVD XIANG XU 18DEC2015

PRODUCT SPEC -

APPLICATION SPEC 114-137138

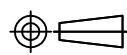
WEIGHT -

TE Connectivity

 NAME
 END COVER FOR SPRING CLAMP
 TYPE TERMINAL BLOCK

SIZE	CAGE CODE	DRAWING NO	RESTRICTED TO
A3	00779	C=2271618	-

DIMENSIONS:	TOLERANCES UNLESS OTHERWISE SPECIFIED:
mm	



0 PLC	± 0.50
1 PLC	± 0.40
2 PLC	± 0.30
3 PLC	± -
4 PLC	± -
ANGLES	± 3°

MATERIAL	FINISH
-	-

CUSTOMER DRAWING	SCALE 1:1	SHEET 1 OF 1	REV A
------------------	-----------	--------------	-------