

4

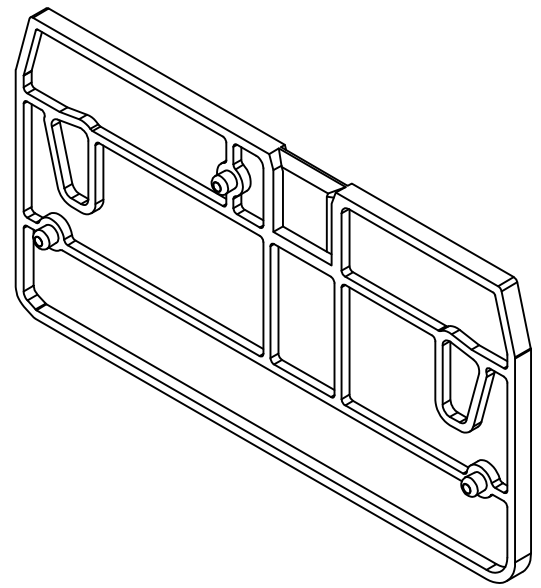
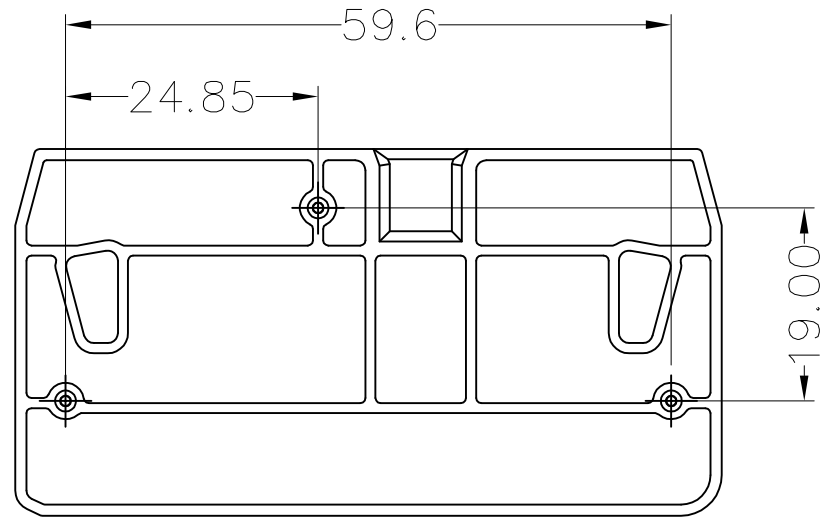
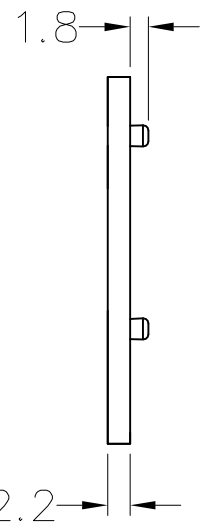
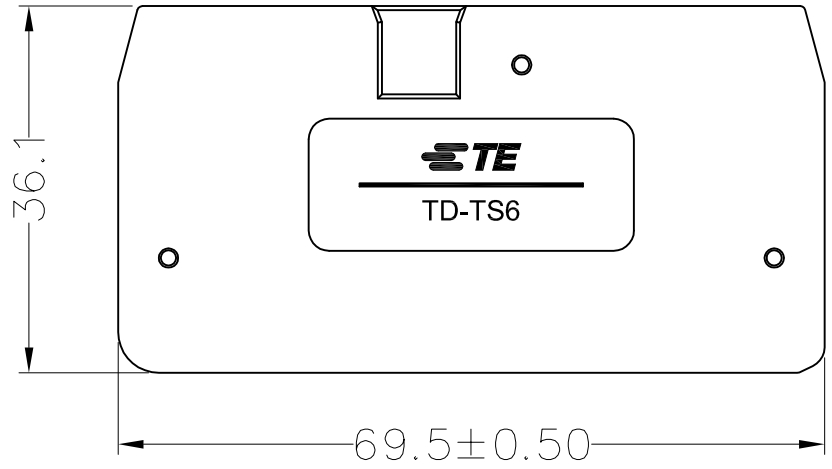
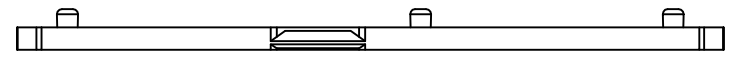
3

2

1

THIS DRAWING IS UNPUBLISHED. RELEASED FOR PUBLICATION
 © COPYRIGHT - By - ALL RIGHTS RESERVED.

REVISIONS				
P	LTR	DESCRIPTION	DATE	APVD
A		OFFICIAL VERSION RELEASE	18DEC2015	F.Y X.X



NOTES:

1. MATERIAL:THERMOPLASTIC
2. APPLICABLE TO PRODUCT SERIES:6mm^2,1 IN 1 OUT SERIES;
3. REQUIREMENT FOR ENVIRONMENTAL SUBSTANCES MUST BE COMPLIANCE WITH ROHS AND REACH.

TD-TS6	2271617-2	GREEN
	2271617-1	GRAY
TE SERIES No.	PART NUMBER	COLOR

THIS DRAWING IS A CONTROLLED DOCUMENT.		DWN FENCER YU 18DEC2015	STE TE Connectivity	
		CHK KOBBY ZHAO 18DEC2015		
DIMENSIONS: mm		APVD XIANG XU 18DEC2015	NAME END COVER FOR SPRING CLAMP TYPE TERMINAL BLOCK	
TOLERANCES UNLESS OTHERWISE SPECIFIED: 0 PLC ± 0.50 1 PLC ± 0.40 2 PLC ± 0.30 3 PLC ± - 4 PLC ± - ANGLES ± 3°		PRODUCT SPEC -	APPLICATION SPEC 114-137138	
MATERIAL -	FINISH -	WEIGHT -	SIZE A3	CAGE CODE 00779
CUSTOMER DRAWING			DRAWING NO C=2271617	RESTRICTED TO -
			SCALE 1:1	SHEET 1 OF 1
			REV A	