

4

3

2

1

THIS DRAWING IS UNPUBLISHED.

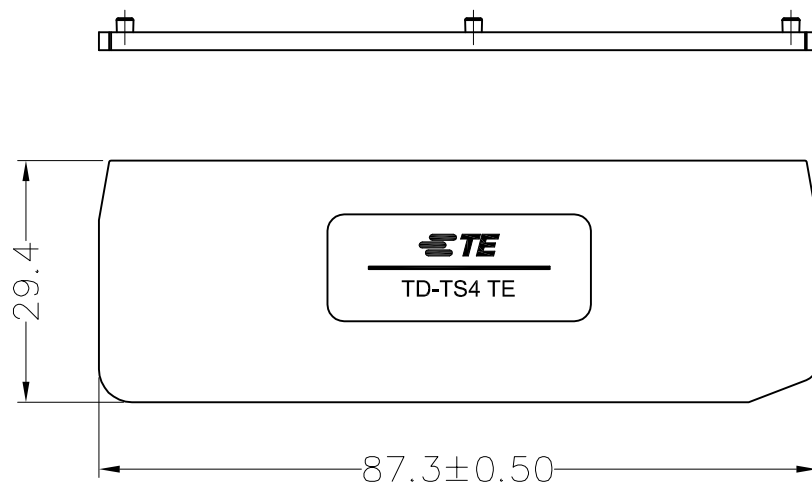
RELEASED FOR PUBLICATION

ALL RIGHTS RESERVED.

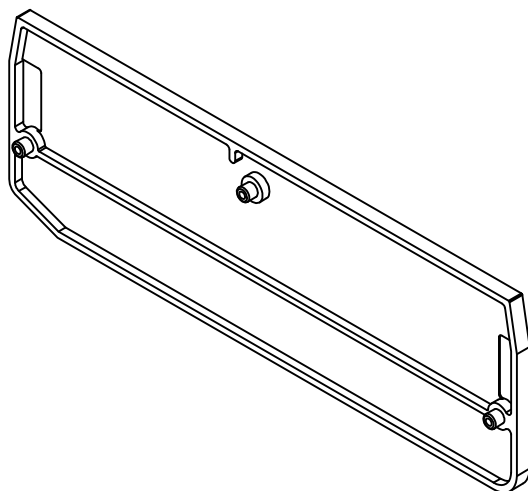
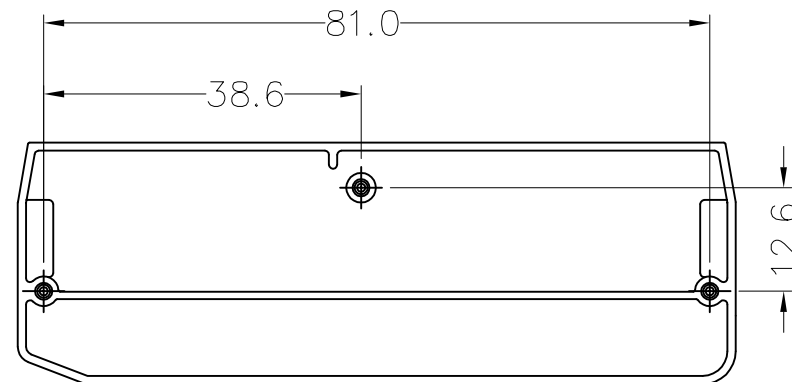
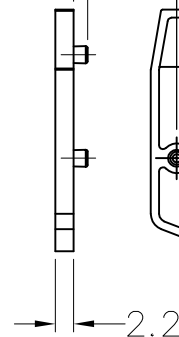
© COPYRIGHT - By -

REVISIONS

P	LTR	DESCRIPTION	DATE	DWN	APVD
	A	OFFICIAL VERSION RELEASE	18DEC2015	F.Y	X.X




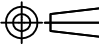
3-1.7



NOTES:

1. MATERIAL:THERMOPLASTIC
2. APPLICABLE TO PRODUCT SERIES:4mm², 2 IN 2 OUT SERIES;
3. REQUIREMENT FOR ENVIRONMENTAL SUBSTANCES MUST BE COMPLIANCE WITH ROHS AND REACH.

TD-TS4 TE	2271615-1	GRAY
TE SERIES No.	PART NUMBER	COLOR

THIS DRAWING IS A CONTROLLED DOCUMENT.		DWN FENCER YU 18DEC2015	 TE Connectivity	
		CHK KOBBY ZHAO 18DEC2015		
DIMENSIONS: mm	TOLERANCES UNLESS OTHERWISE SPECIFIED:	APVD XIANG XU 18DEC2015	NAME END COVER FOR SPRING CLAMP TYPE TERMINAL BLOCK	
	0 PLC ± 0.50	PRODUCT SPEC	RESTRICTED TO	
	1 PLC ± 0.40	APPLICATION SPEC	SIZE	CAGE CODE
	2 PLC ± 0.30	114-137138	A3	00779
	3 PLC ± -	WEIGHT	DRAWING NO	
	4 PLC ± -	-	C=2271615	
	ANGLES ± 3°	CUSTOMER DRAWING	SCALE	1:1
MATERIAL	FINISH	-	SHEET	1 OF 1
			REV	A