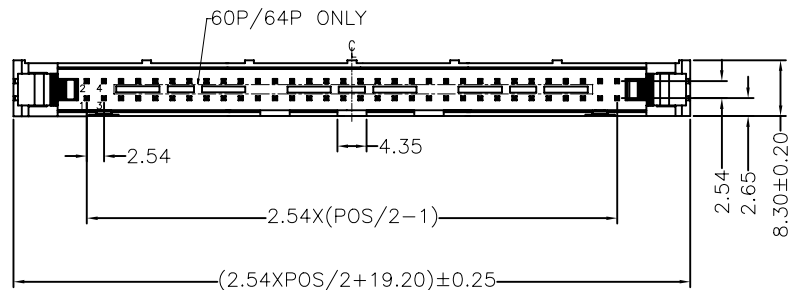
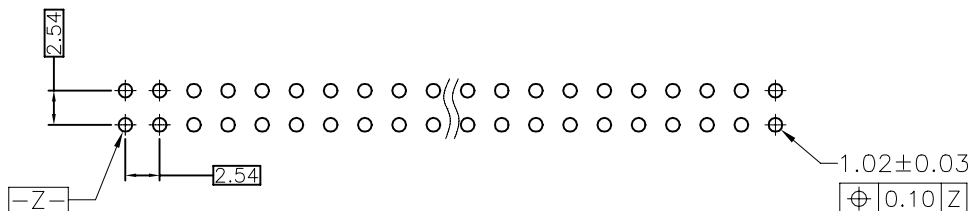
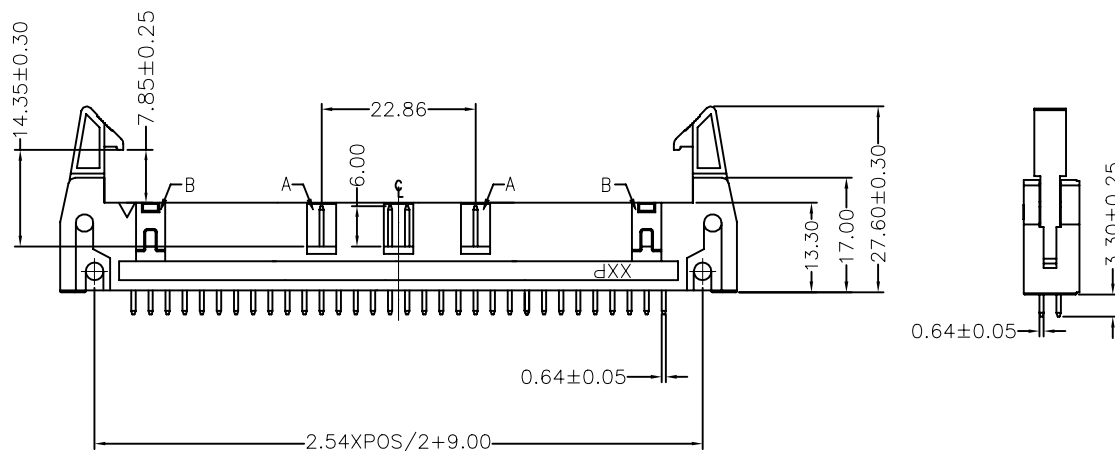


REVISIONS				
P	LTR	DESCRIPTION	DATE	DRN / APVD
B1	ECR-20-016651		03DEC2020	F.F / M.S



PRODUCT SPECIFICATION:
 1.RATED CURRENT: 3.0AMP.
 2.CONTACT RESISTANCE: 20mΩ MAX.
 3.WITHSTAND VOLTAGE: 1000V AC/DC
 4.INSULATION RESISTANCE: 1000MΩ MIN.
 5.OPERATION TEMPERATURE: -40°C TO +105°C
 6.CONTACT MATERIAL: COPPER ALLOY
 7.CONTACT PLATING: 3U" GOLD ON CONTACT AREA/TIN ON TAIL
 8.INSULATOR MATERIAL: SEE PRODUCT FAMILY TABLE
 9.RECOMMENDED SOLDERING PROCESS: WAVE SOLDERING, PEAK TEMPERATURE: 255°C

06P-18P WITHOUT SLOT "A" AND "B"
 20P-58P WITHOUT SLOT "A", WITH SLOT "B"
 60P-64P WITH SLOT "A" AND "B"



RECOMMENDED P.C.B LAYOUT
(COMPONENT SIDE)

		64	6-2271037-4
		60	6-2271037-0
		50	5-2271037-0
		44	4-2271037-4
		40	4-2271037-0
		36	3-2271037-6
		34	3-2271037-4
		30	3-2271037-0
		26	2-2271037-6
		24	2-2271037-4
		22	2-2271037-2
		20	2-2271037-0
		18	1-2271037-8
		16	1-2271037-6
		14	1-2271037-4
		12	1-2271037-2
		10	1-2271037-0
		8	2271037-8
TRAY	PBT+30%G.F UL94V-0 BK	6	2271037-6
PACKAGING	INSULATING MATERIAL	POS	PN

PRODUCT FAMILY TABLE

THIS DRAWING IS A CONTROLLED DOCUMENT.

DIMENSIONS: mm	TOLERANCES UNLESS OTHERWISE SPECIFIED:	DRN: FRANK FAN 03DEC2020	
	0 PLC ± -	CHK: GEORGE FU 03DEC2020	
	1 PLC ± 0.30	APVD: MING SHI 03DEC2020	
	2 PLC ± -	NAME: AMP-LOCK, EJECTOR HDR, VERTICAL	
	3 PLC ± -	PRODUCT SPEC: 108-137371	
MATERIAL	FINISH	APPLICATION SPEC: -	SIZE: A2
SEE NOTE	-	WEIGHT: -	CAGE CODE: 00779
			DRAWING NO: 2271037
			RESTRICTED TO: -
			SCALE: 1:1
			SHEET: 1 of 1
			REV: B1

CUSTOMER DRAWING