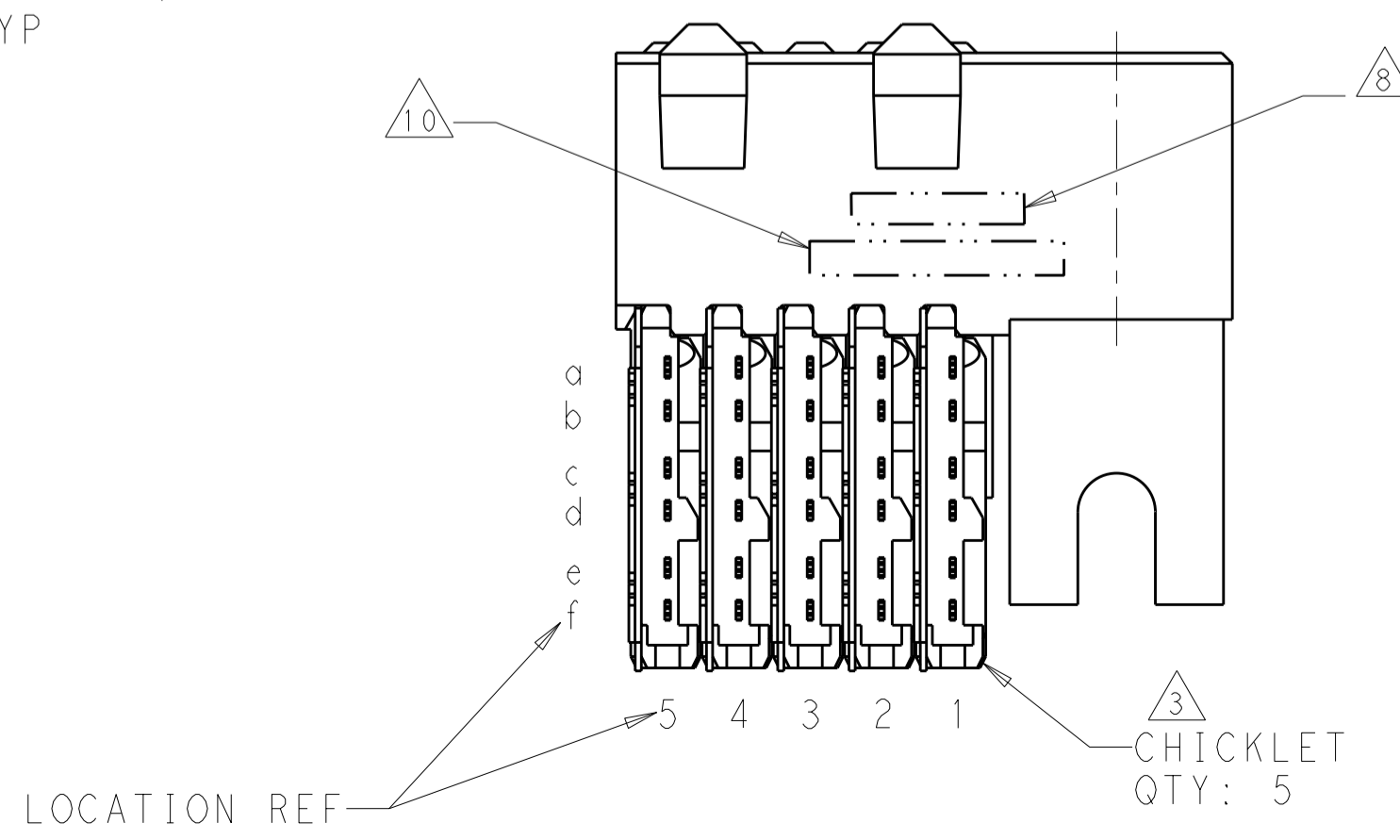
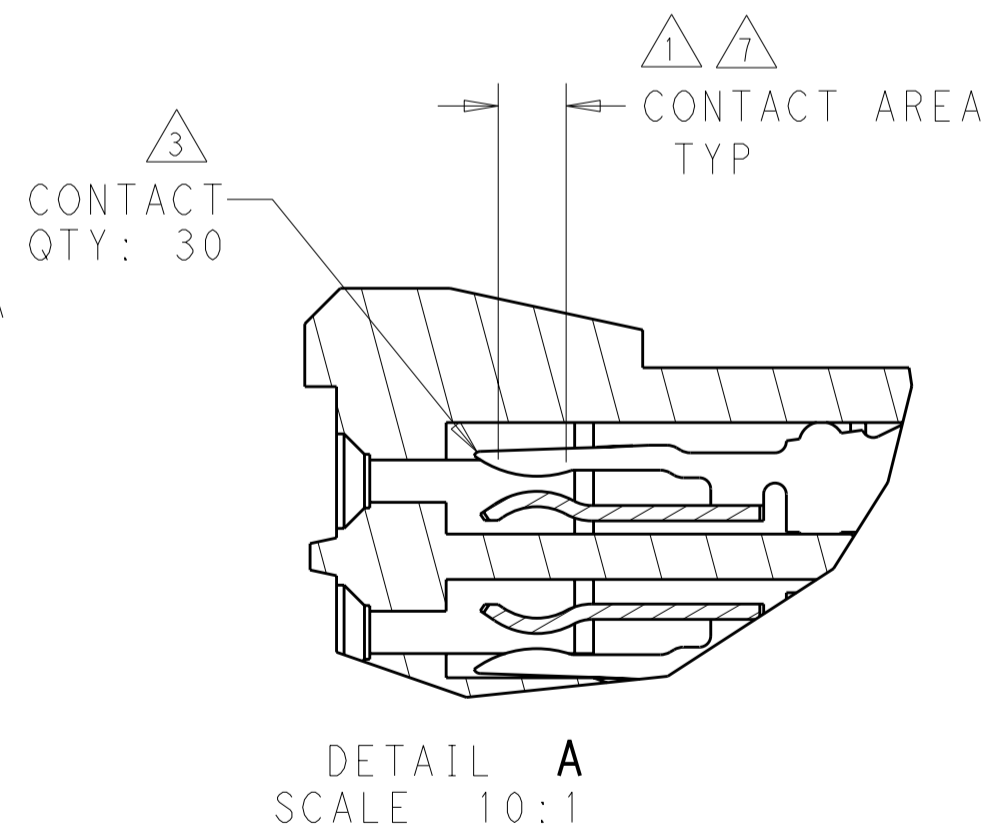
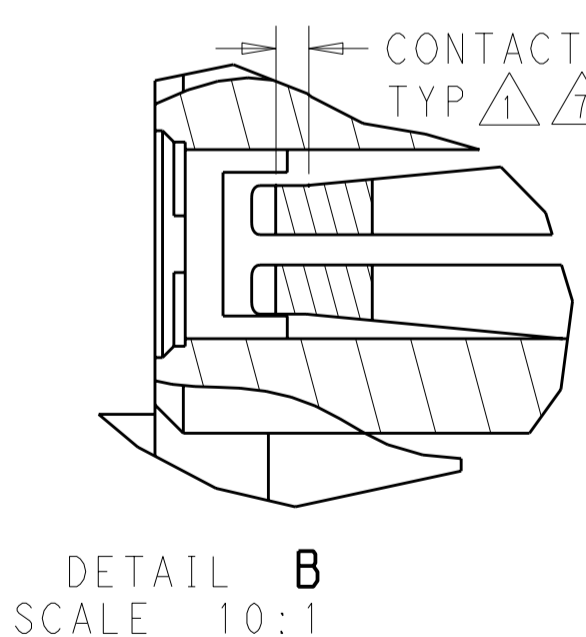
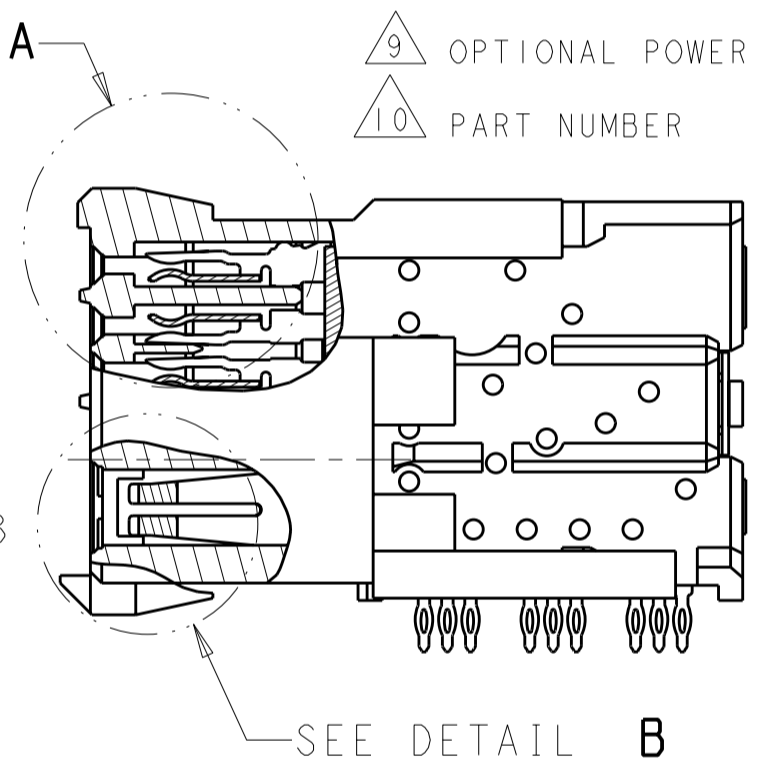
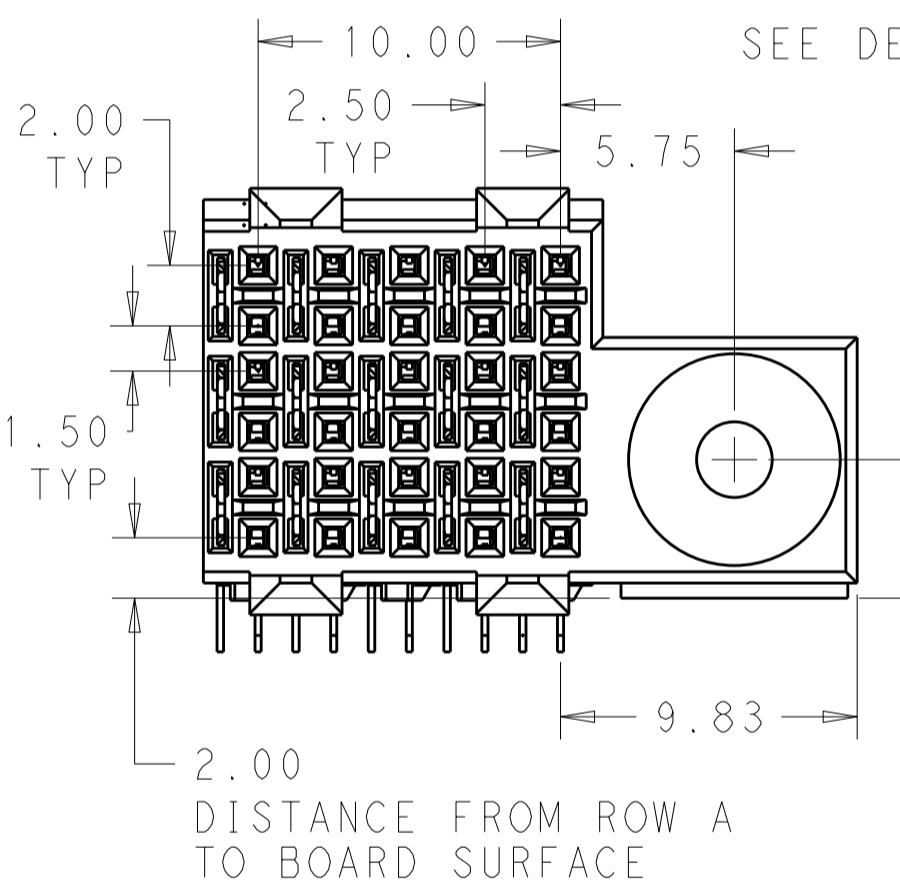
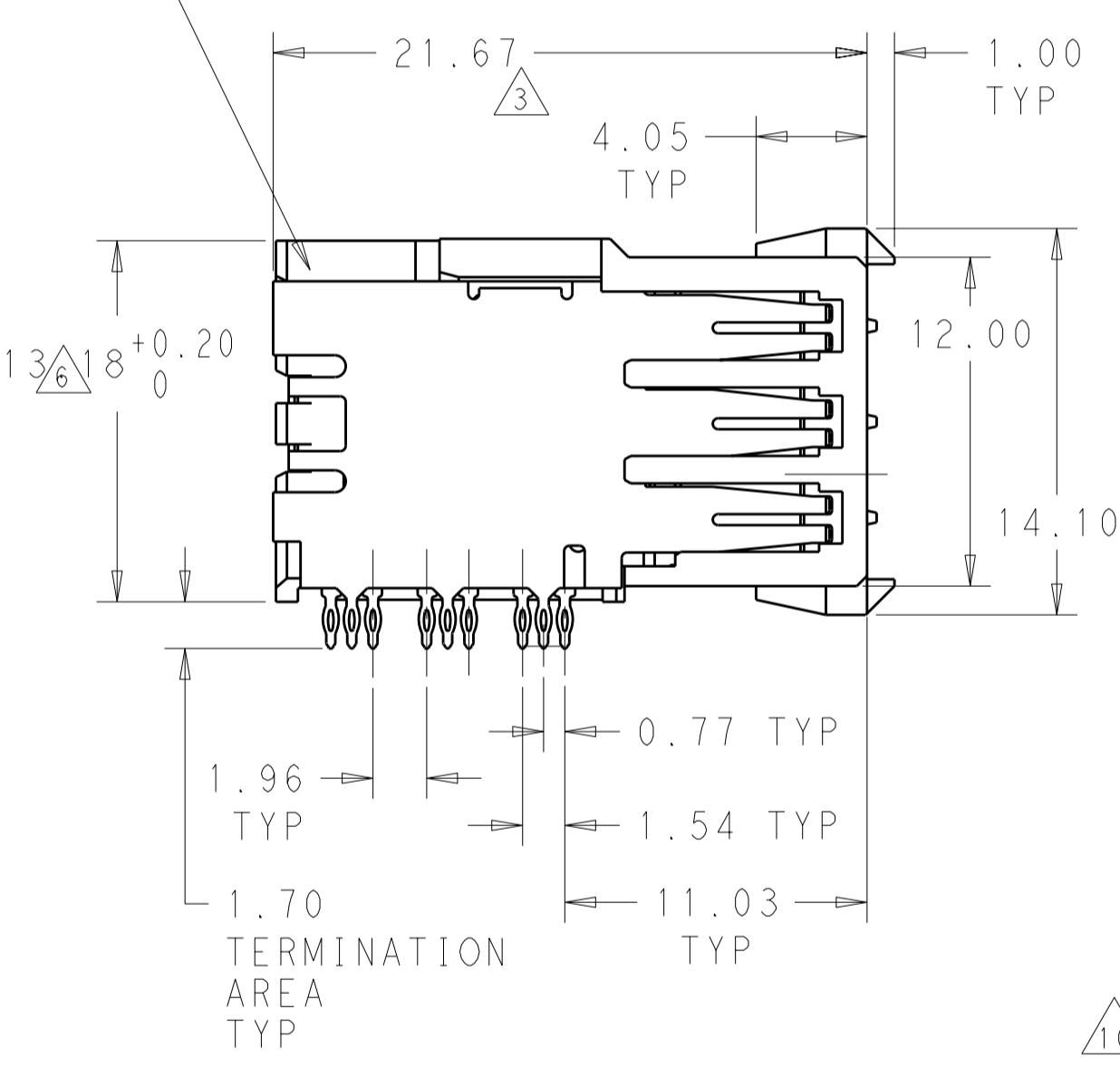
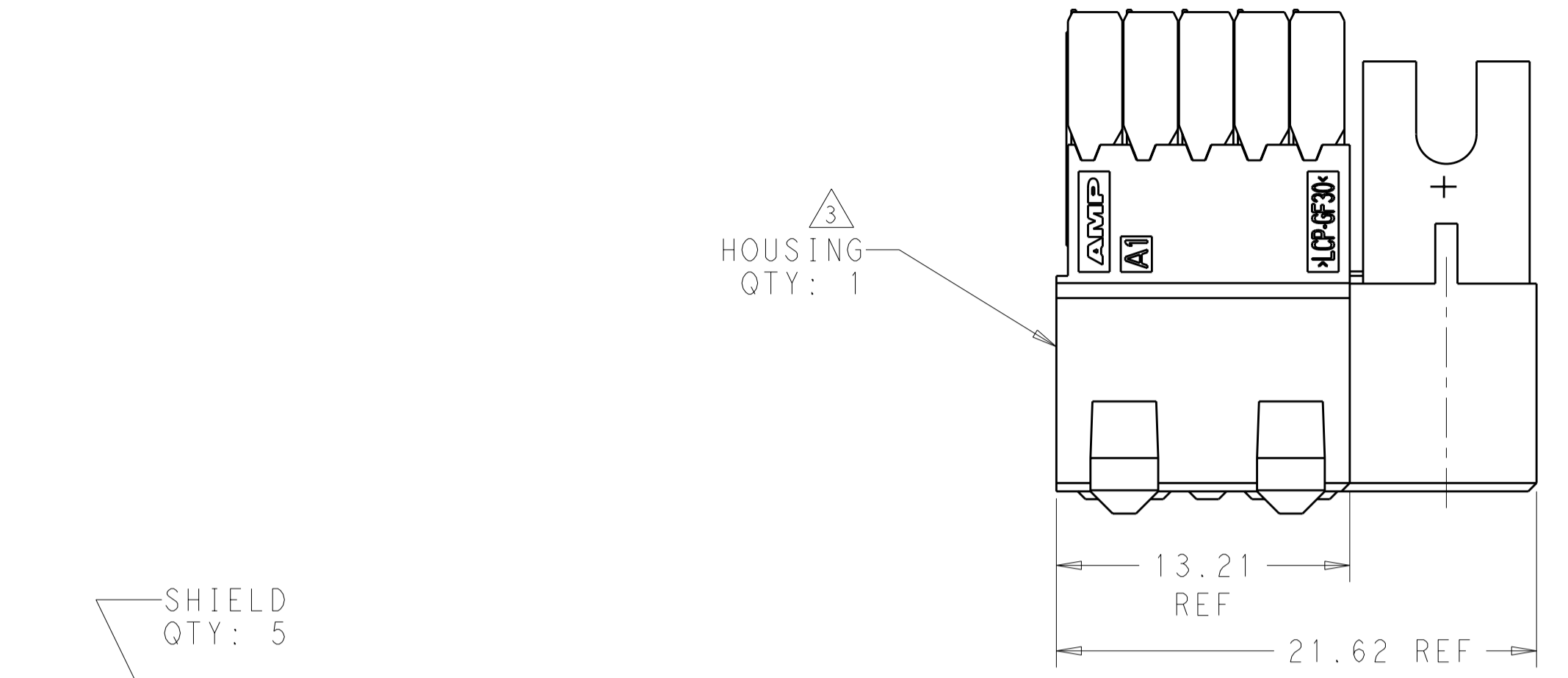


THIS DRAWING IS UNPUBLISHED. RELEASED FOR PUBLICATION  
 © COPYRIGHT copyright\_date BY TYCO ELECTRONICS CORPORATION. ALL INTERNATIONAL RIGHTS RESERVED.

REVISIONS					
P	LTR	DESCRIPTION	DATE	DWN	APVD
	A	RELEASE	07JAN2011	MB	MB

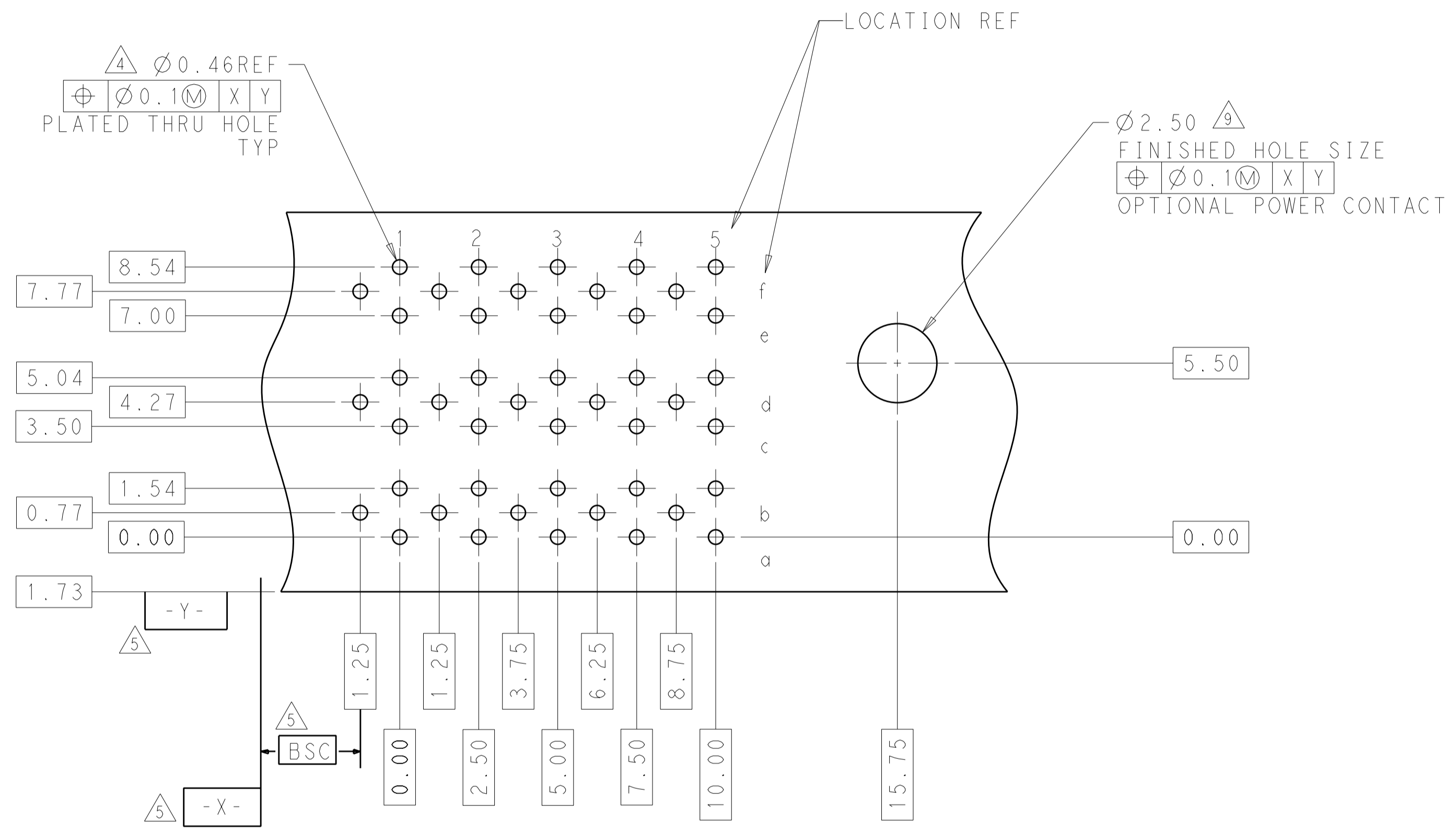


- 1 0.76µm MIN GOLD OVER 1.27µm MIN NICKEL OR GOLD FLASH OVER 0.76µm MIN PALLADIUM-NICKEL OVER 1.27µm MIN NICKEL
- 2 0.76µm MIN TIN OVER 1.27µm MIN NICKEL
- 3 MATERIAL:  
CONTACT - COPPER ALLOY  
SHIELD - PHOSPHOR BRONZE  
HOUSING - LCP, UL94V-0  
CHICKLET - GLASS FILLED POLYESTER
- 4 REFERENCE APPLICATION SPEC 114-13020 FOR RECOMMENDED PLATED THRU HOLE DIAMETER AND PLATING THICKNESS.
- 5 DATUM AND BASIC DIMENSION ESTABLISHED BY CUSTOMER.
- 6 SEATING HEIGHT TO BOARD SURFACE.
- 7 CONTACT AREA LUBRICATED WITH BELLCORE APPROVED LUBRICANT. TECHNICAL REFERENCE: GR-1217-CORE, ISSUE 1, NOVEMBER 1995.
- 8 DATE CODE
- 9 OPTIONAL POWER CONTACT PN 535875-X
- 10 PART NUMBER

THIS DRAWING IS A CONTROLLED DOCUMENT FOR TYCO ELECTRONICS CORPORATION IT IS SUBJECT TO CHANGE AND THE CONTROLLING ENGINEERING ORGANIZATION SHOULD BE CONTACTED FOR THE LATEST REVISION.		DWN M. BOWERS 07JAN2011 CHK M. BOWERS 07JAN2011 APVD M. BOWERS 07JAN2011	AMP Incorporated Harrisburg, PA 17105-3608
DIMENSIONS: mm	TOLERANCES UNLESS OTHERWISE SPECIFIED: 0 PLC ± 1 PLC ±0.5 2 PLC ±0.13 3 PLC ± 4 PLC ± ANGLES ± FINISH	PRODUCT SPEC 108-1957 APPLICATION SPEC 114-13020 WEIGHT -	NAME RECEPTACLE ASSEMBLY, 30 POSITION RIGHT HAND, 6 ROW, DUAL BEAM Z-PACK HS3 PLUS SIZE CAGE CODE DRAWING NO RESTRICTED TO A200779 C-2169722 -
MATERIAL		CUSTOMER DRAWING	SCALE 4:1 SHEET 1 OF 2 REV A

THIS DRAWING IS UNPUBLISHED. RELEASED FOR PUBLICATION  
 © COPYRIGHT copyright\_date BY TYCO ELECTRONICS CORPORATION. ALL INTERNATIONAL RIGHTS RESERVED.

LOC	DIST	REVISIONS			
P	LTR	DESCRIPTION	DATE	DWN	APVD
AD	00	-	SEE SHEET 1	-	-



RECOMMENDED PRINTED  
 CIRCUIT BOARD LAYOUT  
 COMPONENT SIDE OF PRINTED CIRCUIT BOARD

THIS DRAWING IS A CONTROLLED DOCUMENT FOR TYCO ELECTRONICS CORPORATION. IT IS SUBJECT TO CHANGE AND THE CONTROLLING ENGINEERING ORGANIZATION SHOULD BE CONTACTED FOR THE LATEST REVISION.		DWN M. BOWERS 07 JAN 2011	AMP Incorporated Harrisburg, PA 17105-3608	
DIMENSIONS: mm		CHK M. BOWERS 07 JAN 2011	NAME RECEPTACLE ASSEMBLY, 30 POSITION RIGHT HAND, 6 ROW, DUAL BEAM Z-PACK HS3 PLUS	
TOLERANCES UNLESS OTHERWISE SPECIFIED: 0 PLC ± 1 PLC ±0.5 2 PLC ±0.13 3 PLC ± 4 PLC ± ANGLES ± FINISH		APVD M. BOWERS 07 JAN 2011	PRODUCT SPEC 108-1957	RESTRICTED TO -
MATERIAL		APPLICATION SPEC 114-13020	SIZE A200779	DRAWING NO C-2169722
		WEIGHT -	SCALE 4:1	SHEET 1 OF 2
		CUSTOMER DRAWING	REV A	